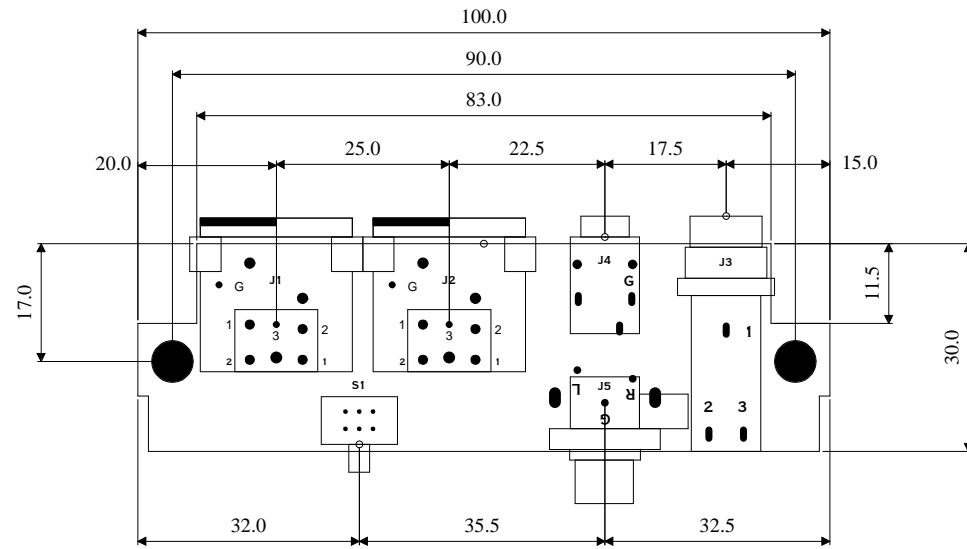
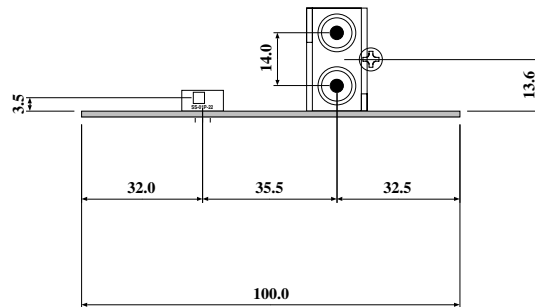
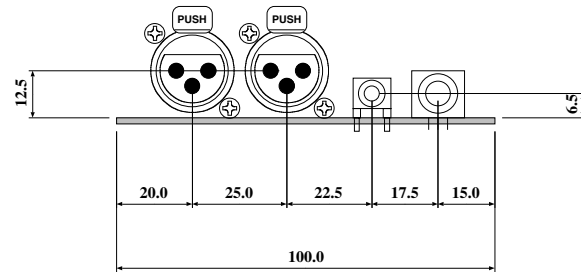
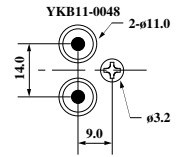
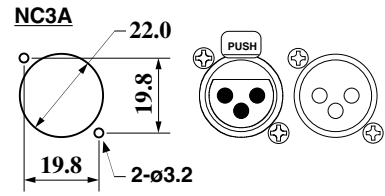


(c)CURRENT,INC.	BREAKOUT11	JUL.2022
H. ICHIHASHI	1.100.846	1 OF 1



(c)CURRENT,INC.	BREAKOUT11	AUG.2022
H.ICHIHASHI	1.100.846	



(c)CURRENT,INC.	BREAKOUT11	Aug.2022
H.ICHIHASHI	COMPORNENT Layout	1.100.846