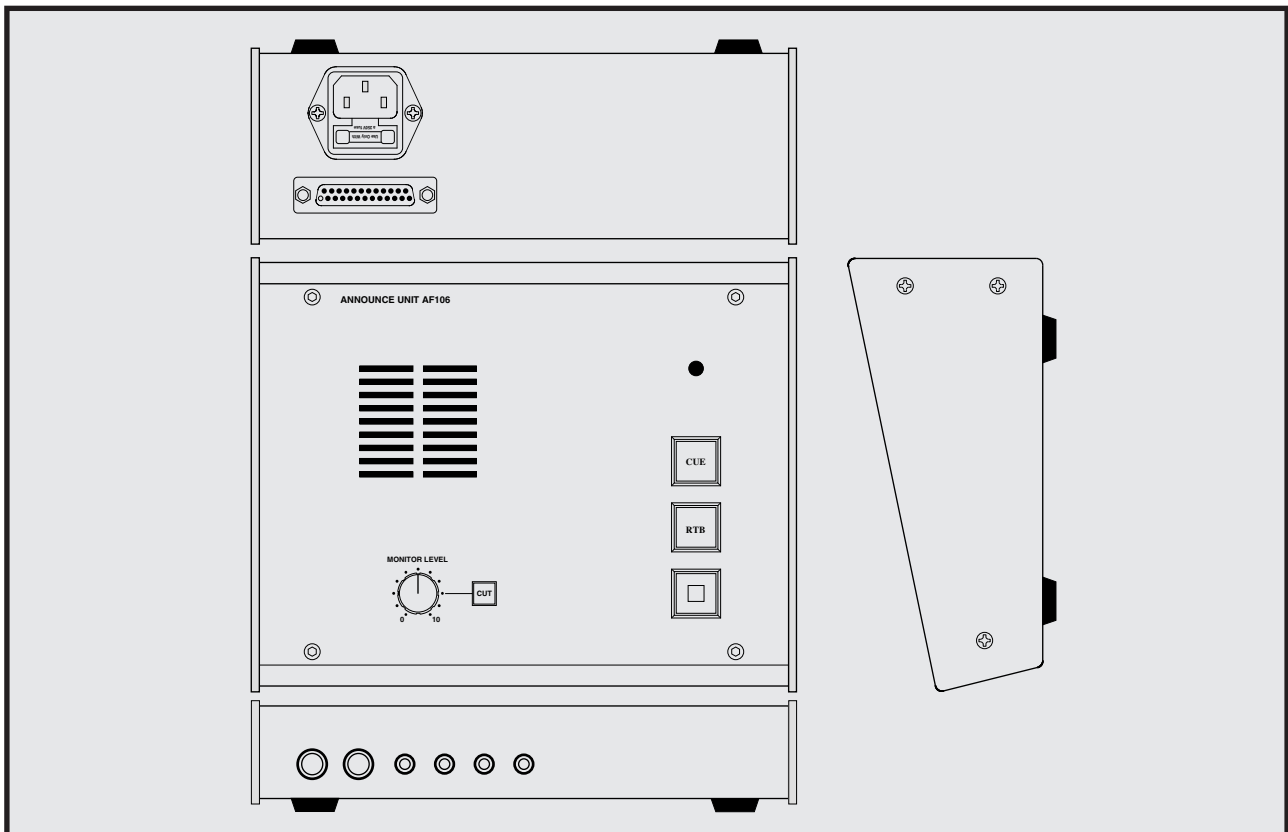


CURRENT PRODUCTS model:AF106

ANNOUNCE UNIT



Sophisticated design

Touch switch, RTB (return talkback)
CUE lamp, VCA grouping with a console
Stereo headphone x2, mono earphone x4
Monitor speaker (with a cut switch)

AF106 is cough box of the types to control the VCA of the console or an external mute circuit directly. The cough box connected with audio insertion conventionally, but it was a problem that sound quality deterioration and a cough channel were fixed. It is this AF106 to solve those problems.

"Cough output"

The cough output of AF106 is an open collector circuit. The output which is ON with cough and the inversion are output, and, please match it with the logic of the console to connect.

"CUE lamp "

When the CUE button of the talkback box is pressed with control room, CUE lamp turns on. Additionally, it can let external CUE lamp AF205A (Sold separately) turn on.

"RTB (return talkback)"

Talkback is possible for control room when it presses the "RTB" (return talkback) button of AF106. The electret condenser microphone of the built-in is balanced output in line level. Additionally, the relay contact is output for console control, too.

"Monitor speaker"

In cough ON, the built-in monitor speaker of AF106 is cut

automatically. Additionally, in the case of cough OFF, it can cut it with a cut switch forcibly.

"Others"

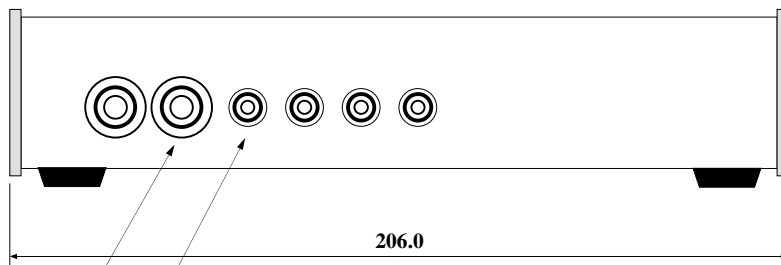
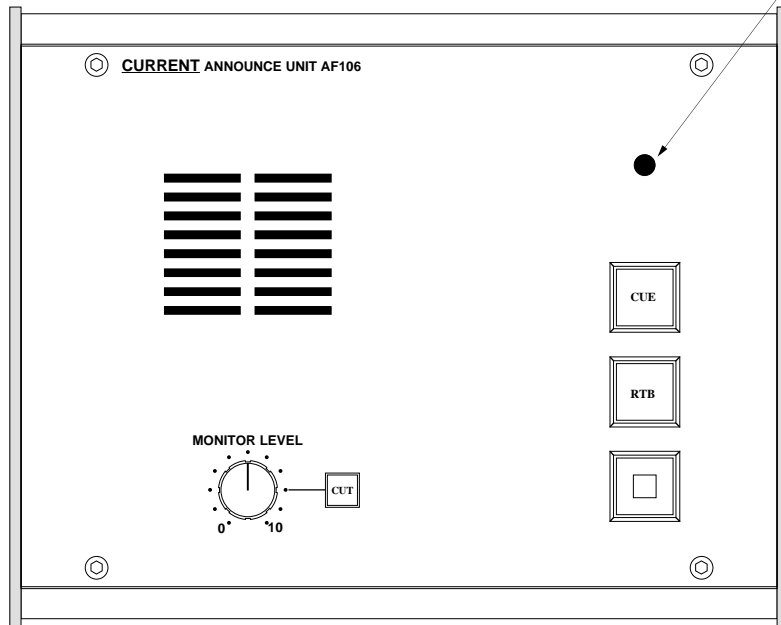
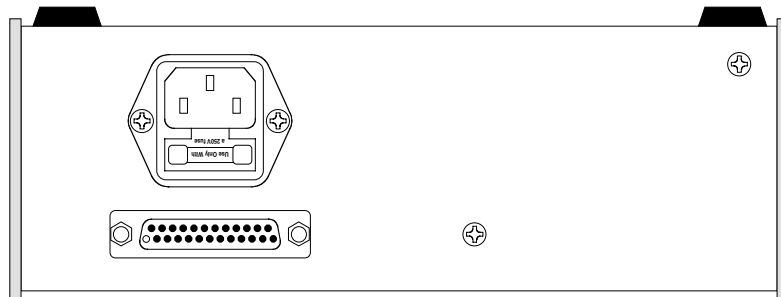
By combination with AF125 of the VCA unit, it can insert AF106 in the audio insertion of the console. Additionally, AF107 (19"1 U) of an interface box providing functions such as an input and output audio in XLR, the relay contact output of the cough is available.



SPECIFICATIONS

- 🍏FU OUTPUT: OPEN COLLECTOR (MAX=100mA)
- 🍏CUE INPUT: +5 ~ 24VDC (Optical Isolated)
- 🍏CONNECTOR: 25WAY D-TYPE FEMALE (#4-40)
- 🍏MONITORS INPUTS: REF=+4dBu, BALANCED INPUTS 10kΩ
- 🍏MONITORS: 1/4" STEREO PHONES x2 MONO EARPHONES x4
- 🍏MONITORS SPEAKER: AUTO CUT, 0.1W
- 🍏CONTROL: TOUCH SWITCH, SPEAKER CUT
- 🍏RTB OUT: REF=+4dBu, BALANCED 33Ω
- 🍏HEADPHONES: 1/4" STEREO, x1 >50Ω, MAX=0.1W
- 🍏MAINS: 100VAC, 50/60Hz, MAX 10W
- 🍏DIMENSIONS: 206Wx74H x164D, 1.0kg

Announce Unit	AF106	¥298,000
VCA Unit	AF125	¥198,000
CUE Lamp	AF205A	¥32,000
accessory : AC cable		

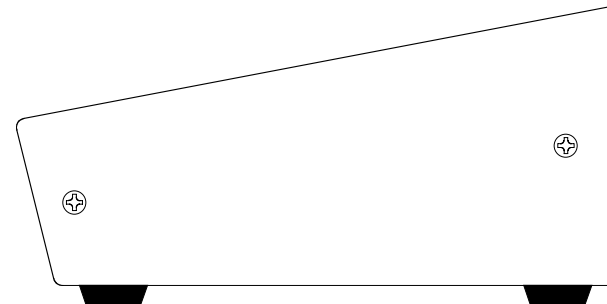


STEREO HEADPHONES
MONO EARPHONES

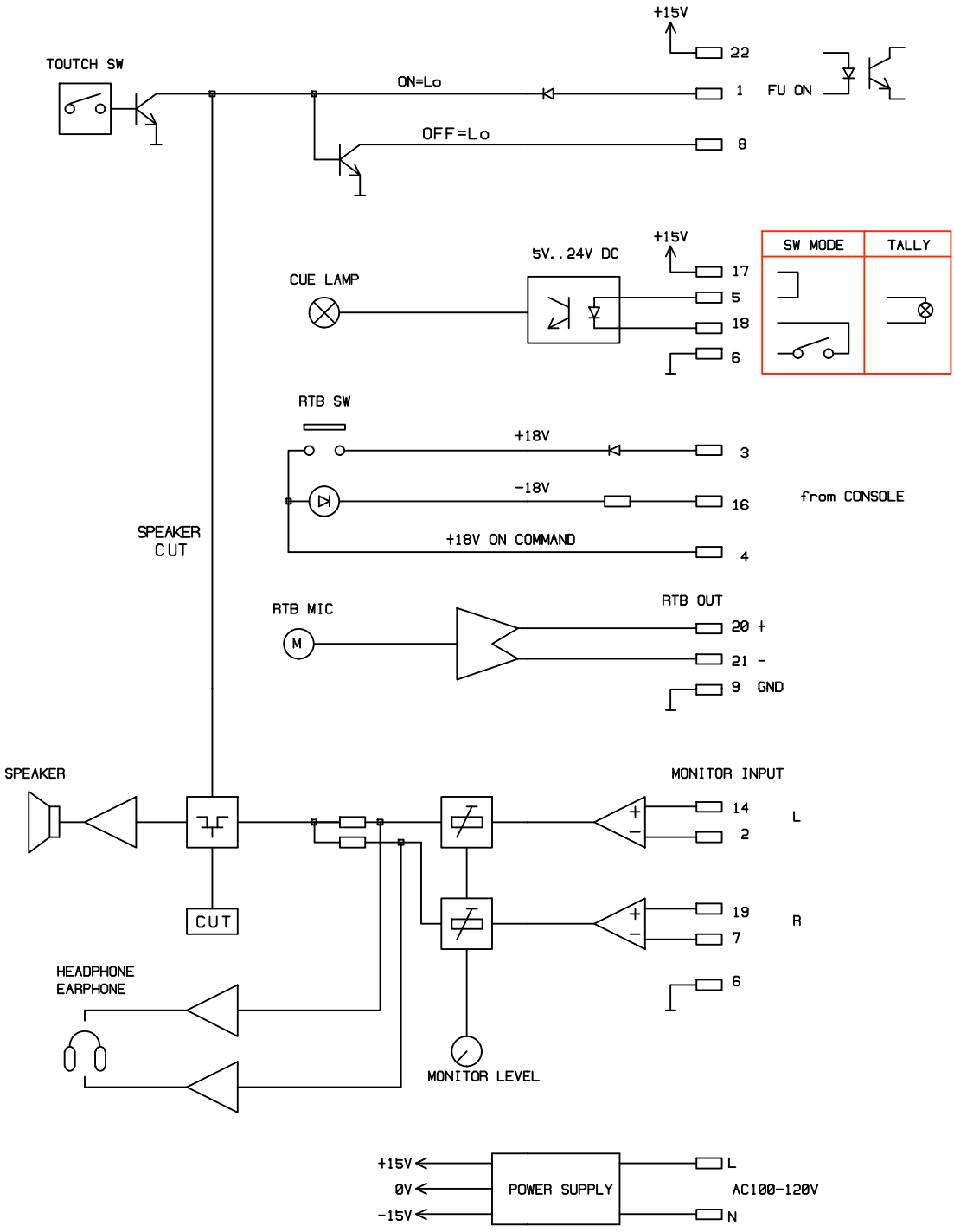
RTB MIC

D25-F (#4-40)

- | | |
|-----------|------------|
| 01 Y-FU | 14 MON L+ |
| 02 MON L- | 15 MON COM |
| 03 CON +V | 16 CON -V |
| 04 S-RTB | 17 +15V |
| 05 B-CUE+ | 18 B-CUE- |
| 06 0V | 19 MON R+ |
| 07 MON R- | 20 L-MIC+ |
| 08 Y-FU | 21 L-MIC- |
| 09 0V-MIC | 22 +15V |
| 10 0V | 23 -15V |
| 11 | 24 |
| 12 | 25 |
| 13 | |



(c)CURRENT,INC.	AF106 ANNOUNCE UNIT	Dec.2008
H. ICHIHASHI	PANEL DIAGRAM	Jul.1995
		AF106-D2008



SW MODE	TALLY

from CONSOLE

SEP. 2003

CURRENT INC.	ANNOUNCE UNIT AF106	JAN 97
H. Ichihashi	BLOCK DIAGRAM	AF106-B3

"AF106" D25-F(#4-40) Connector Pin List

Ribbon	Hard	Signal name	Designation	Active
1	1	Y-FU	FU OUT (FU ON = Lo)	
2	14	MON L+	MONITOR INPUT L+	
3	2	MON L-	MONITOR INPUT L-	
4	15	MON COM	MONITOR INPUT GND	
5	3	CON +V	+18V from CONSOLE	
6	16	CON -V	-18V from CONSOLE (RTB LP-)	
7	4	S-RTB	RTB SWITCH (ON=+18V)	
8	17	+15V	+15V SUPPLY	
9	5	B-CUE+	CUE SIGNAL INPUT Hi	
10	18	B-CUE-	CUE SIGNAL INPUT Lo	
11	6	0V	0V	
12	19	MON R+	MONITOR INPUT R+	
13	7	MON R-	MONITOR INPUT R-	
14	20	L-MIC+	RTB OUT +	
15	8	Y-FU_	FU OUT 2 (FU OFF = Lo)	
16	21	L-MIC-	RTB OUT -	
17	9	0V-MIC	RTB COMMON	
18	22	+15V	+15V SUPPLY	
19	10	0V	POWER GROUND	
20	23	-15V	-15V SUPPLY	
21	11	NC		
22	24	NC		
23	12	NC		
24	25	NC		
25	13	NC		

注意！

Dサブコネクタの接続はHardピン番号で接続してください。
 取付ビスは# 4 - 40インチビスを使用して下さい

CAUTION! D-Connector for wiring refer to Hard pin number Description.