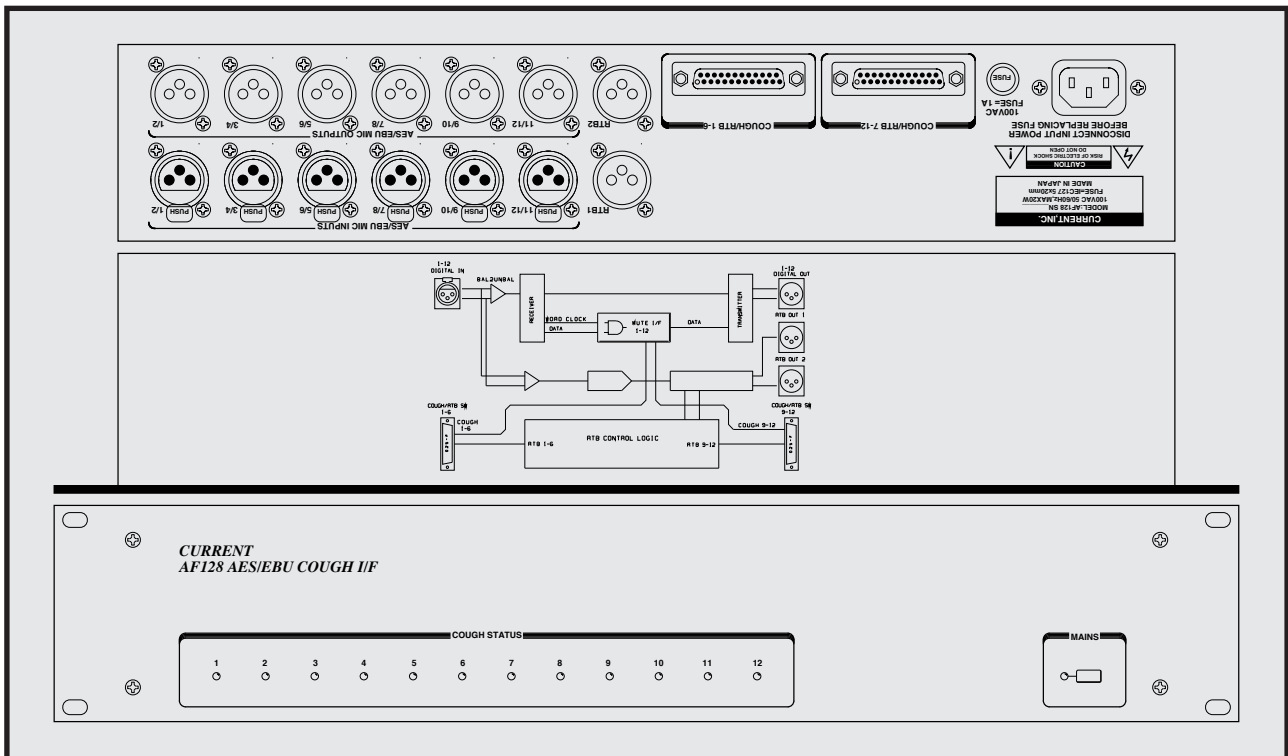


CURRENT PRODUCTS model:AF128

MULTI AES/EBU COUGH I/F



AES/EBU cough interface

Dual RTB

It is connectable in 12 cough

It is with cough ON display

16 - 24bit data support

AF128 is cough interface of the AES/EBU digital audio input and output. It can connect up to 12 cough, and control of cough ON/OFF and the RTB (return talkback) ON/OFF is possible.

"Cough control"

While contact of the cough control input of AF128 or a tarry is input, the audio data of the AES/EBU signal are output, and cough outputs the audio data of the AES/EBU signal as zero in the state of OFF. Additionally, it can confirm the state of cough ON by LED lighting of the front panel.

"RTB (return talkback)"

While contact or a tarry is input into RTB control input, an AES/EBU signal is D/A, and it is output in analog by the RTB output. The level of then is +4dBu (20dBFS). The RTB can choose 2 output every cough.

"Channel status"

AF128 handles only audio data, and a channel status, validity, users bit and the emphasis just output it without making by internal processing.

"Others"

There is not the external synchronization input, but works as a slave of the input signal. Additionally, please refer about the manufacturing

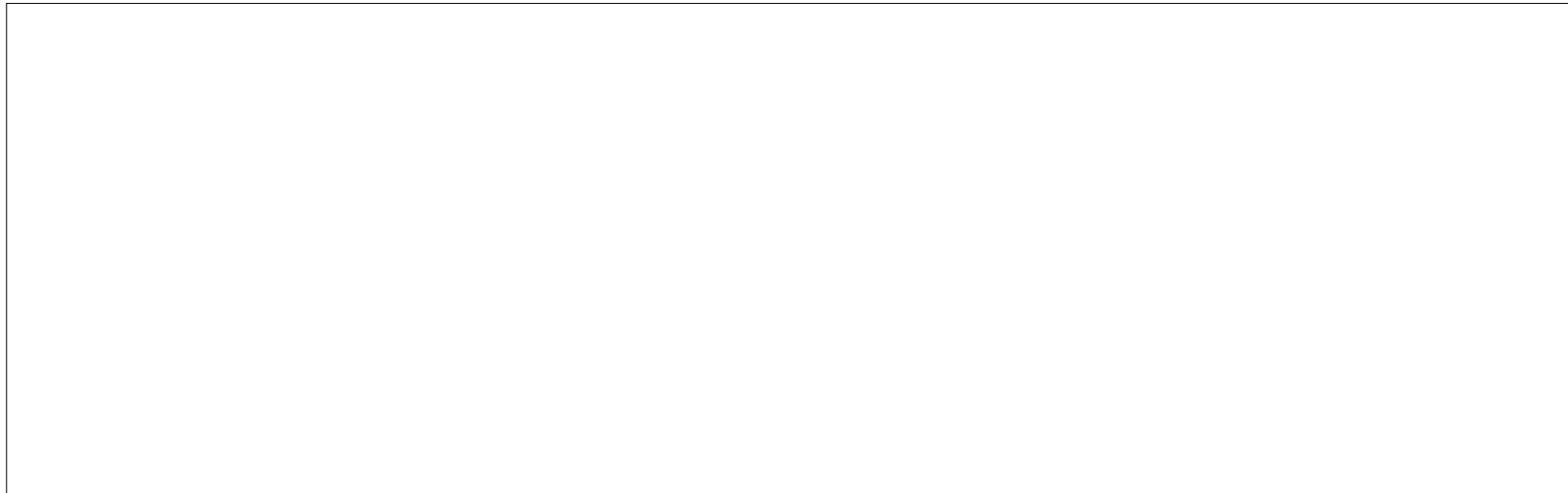
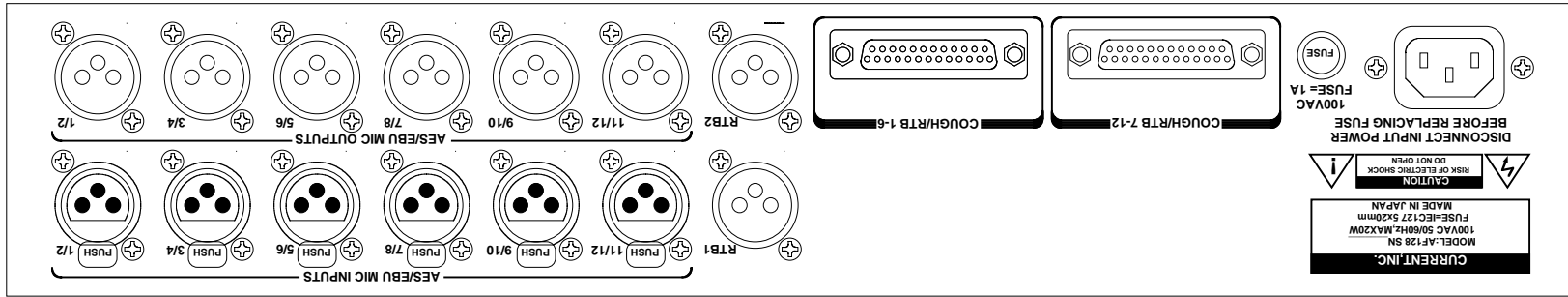
with different specifications.



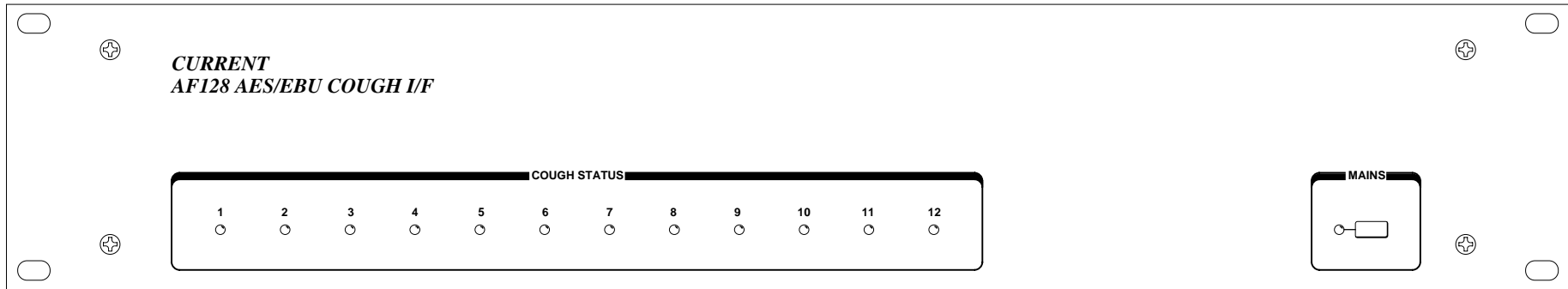
SPECIFICATIONS

- 🍏AES/EBU INPUTS CONNECTORS: XLR3-F x6
- 🍏AES/EBU INPUT IMPEDANCE: 110Ω
- 🍏AES/EBU OUTPUTS CONNECTORS: XLR3-M x6
- 🍏AES/EBU OUTPUT IMPEDANCE: 110Ω
- 🍏AES/EBU Fs: 44.1kHz, 48kHz
- 🍏AES/EBU WORD LENGTH: 16-24bit
- 🍏EXTERNAL SYNC: NONE
- 🍏CS,V,U BIT: INPUT THRU
- 🍏RTB OUTPUTS CONNECTOR: XLR3-M x2
- 🍏RTB OUTPUT: BALANCED 50Ω, REF=+4dBu, MAX=+24dBu
- 🍏RTB OUTPUT THD: < 0.1% at 1kHz, REF. LEVEL
- 🍏RTB FREQUENCY RESPONSE: 20~20kHz ±6dB
- 🍏CONTROL CONNECTOR: 25WAY D-CONNECTOR FEMALE(#4-40)
- 🍏MAINS: 100VAC 50/60Hz, MAX 15W
- 🍏DIMENSIONS: 482Wx44Hx303D, 5kg

AES Cough I/F	AF128	¥640,000
accessory : AC cable		



303



88

482.0

CURRENT, INC.	AF128	FEB 96
H. ICHIHASHI	PANEL DIAGRAM	AF128-D

AF128 AES/EBU Cough I/F

1. AES/EBU入出力
AF128は6個のAES/EBU入出力を持ち、外部スイッチにより12チャンネルのカフコントロールを行うことができます。入出力は3ピンタイプのXLRコネクタで、入力はメス、出力はオス仕様です。
2. カフコントロール
カフ1-6及び、7-12のそれぞれに対してDsub25メスコネクタがあります。コントロール入力回路はフォトカプラー入力のため、接点またはタリ-を接続することができます。AES入力信号はカフがONの時にだけ出力され、フロントパネルのLEDでONの状態を確認することができます。
3. RTBコントロール(バックトーク)
RTBコントロール信号はカフコントロール入力コネクタと共に1-6及び7-12のそれぞれのコネクタに入力されます。インターフェース仕様はカフと同様です。

RTBは1つのカフに付き、2系統の出力を選択することができます。RTBスイッチが押されている間、1-12のいずれかのAES信号をD/AしてRTB1または2へ出力します。具体的にはカフ1-1はRTB1へ、1-2はRTB2へ出力します。また、RTBスイッチは若い方が優先され、同時に選択することは出来ません。

RTBアナログ出力レベルは内部で固定されており、-20dBFS入力したときに+4dBuが出力されます。

1. AES/EBU inputs and outputs

AF128 has 6 AES/EBU input and output, and it can do cough control of 12channels by the external switch. As for the input and output, a scalpel, output are male specifications with a XLR connector of 3 pin type as for the input.

2. Cough control

There is a Dsub25 female connector to each of cough 1-6 and 7-12.

A control input circuit can connect a contact point or tally for opto-coupler input. Only when cough is on, it is outputted, and the condition of on can be confirmed at the AES/EBU input signal with LED of the front panel.

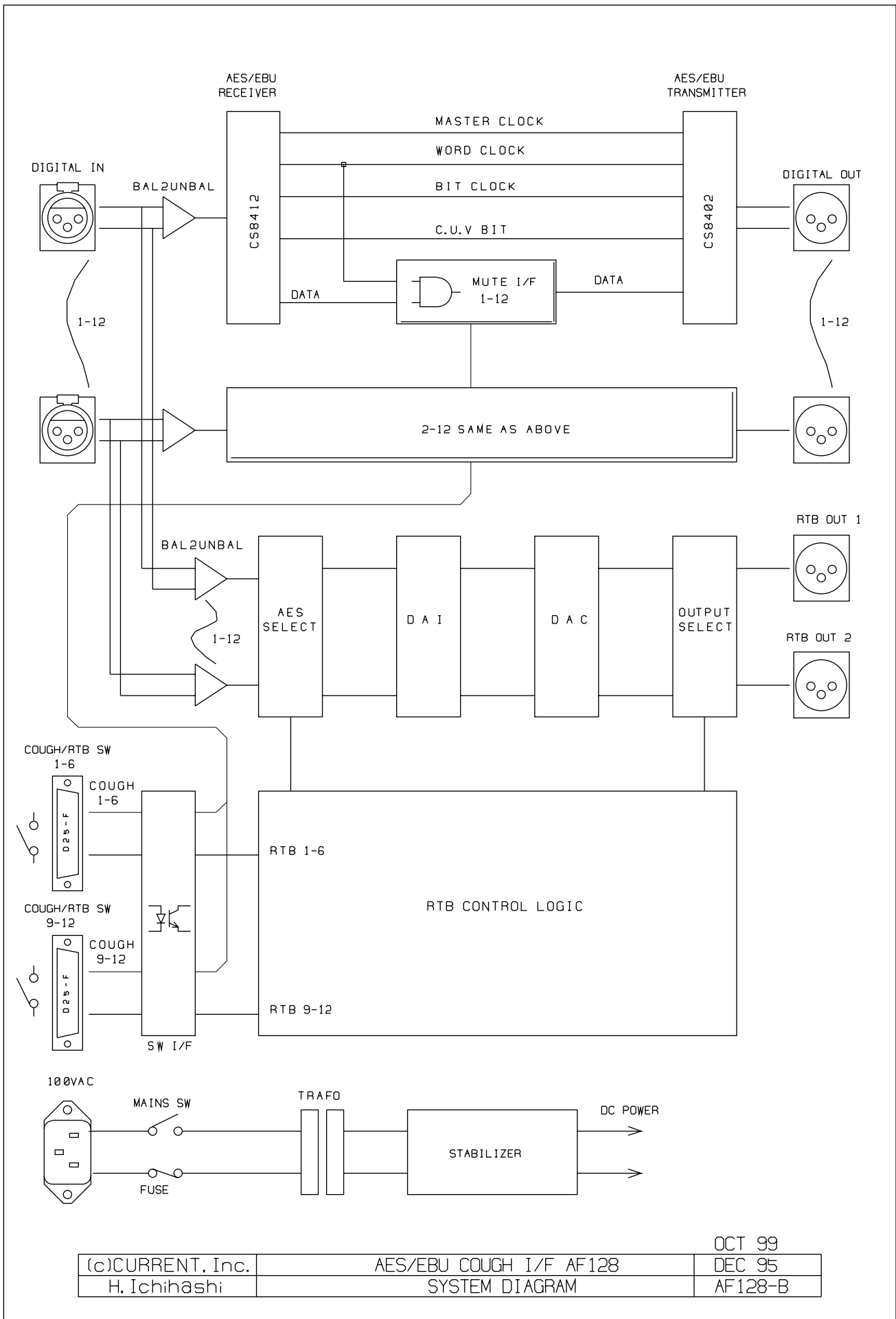
3. RTB control (Return Talk Back)

A RTB control signal is inputted to each connector of 1-6 and 7-12 with cough control input connector. Interface specifications are the same as cough.

RTB sticks to 1 cough, and it can choose the output of 2 system. While a RTB switch is being pushed, D/A has either AES/EBU signal of 1-12, and it is outputted to RTB1 or 2.

For example, cough 1-1 outputs 1-2 concretely to RTB2 to RTB1. Moreover, it gives priority to the young one, and a RTB switch can't be chosen at the same time.

When it was fixed inside and -20dBFS was inputted, +4dBu is outputted in the RTB analog output level.



AF128 "COUGH/RTB 1-6" (D25-F #4-40)

Ribbon	Hard	Signal name	Designation	Active
1	1	+5V	+5V POWER SUPPLY	+5V
2	14	+5V	+5V POWER SUPPLY	+5V
3	2	SW COM	SWITCHES COMMON +5V to +24V DC	+V
4	15	SW COM	SWITCHES COMMON +5V to +24V DC	+V
5	3	COUGH 1	COUGH SWITCH 1	Lo
6	16	COUGH 2	COUGH SWITCH 2	Lo
7	4	COUGH 3	COUGH SWITCH 3	Lo
8	17	COUGH 4	COUGH SWITCH 4	Lo
9	5	COUGH 5	COUGH SWITCH 5	Lo
10	18	COUGH 6	COUGH SWITCH 6	Lo
11	6	RTB1-1	RTB SWITCH 1-1	Lo
12	19	RTB1-2	RTB SWITCH 1-2	Lo
13	7	RTB2-1	RTB SWITCH 2-1	Lo
14	20	RTB2-2	RTB SWITCH 2-2	Lo
15	8	RTB3-1	RTB SWITCH 3-1	Lo
16	21	RTB3-2	RTB SWITCH 3-2	Lo
17	9	RTB4-1	RTB SWITCH 4-1	Lo
18	22	RTB4-2	RTB SWITCH 4-2	Lo
19	10	RTB5-1	RTB SWITCH 5-1	Lo
20	23	RTB5-2	RTB SWITCH 5-2	Lo
21	11	RTB6-1	RTB SWITCH 6-1	Lo
22	24	RTB6-2	RTB SWITCH 6-2	Lo
23	12	0V	GND	0V
24	25	0V	GND	0V
25	13			

AF128の入力は定電流回路内蔵のフォトカプラ受けです。

制御に於て外部からフォトカプラのコモン電源を供給できない場合にはピン1,2と3,4をリンクして、23,24をスイッチコモンとしてください。

この場合には機器間のアースのアイソレーションをすることは出来ません。

[caution]

These inputs are optcoupler with constant current.

If you can't supply power for optcoupler then link pin .

1-2 and 3-4. On this mode, switches common are pin 23 and 24.

D s u bコネクタはH a r dピン番号で接続してください。

D-Connector for wiring refer to Hard pin number Description.

AF128 "COUGH/RTB 9-12" (D25-F #4-40)

Ribbon	Hard	Signal name	Designation	Active
1	1	+5V	+5V POWER SUPPLY	+5V
2	14	+5V	+5V POWER SUPPLY	+5V
3	2	SW COM	SWITCHES COMMON +5V to +24V DC	+V
4	15	SW COM	SWITCHES COMMON +5V to +24V DC	+V
5	3	COUGH 7	COUGH SWITCH 7	Lo
6	16	COUGH 8	COUGH SWITCH 8	Lo
7	4	COUGH 9	COUGH SWITCH 9	Lo
8	17	COUGH 10	COUGH SWITCH 10	Lo
9	5	COUGH 11	COUGH SWITCH 11	Lo
10	18	COUGH 12	COUGH SWITCH 12	Lo
11	6	RTB7-1	RTB SWITCH 7-1	Lo
12	19	RTB7-2	RTB SWITCH 7-2	Lo
13	7	RTB8-1	RTB SWITCH 8-1	Lo
14	20	RTB8-2	RTB SWITCH 8-2	Lo
15	8	RTB9-1	RTB SWITCH 9-1	Lo
16	21	RTB9-2	RTB SWITCH 9-2	Lo
17	9	RTB10-1	RTB SWITCH 10-1	Lo
18	22	RTB10-2	RTB SWITCH 10-2	Lo
19	10	RTB11-1	RTB SWITCH 11-1	Lo
20	23	RTB11-2	RTB SWITCH 11-2	Lo
21	11	RTB12-1	RTB SWITCH 12-1	Lo
22	24	RTB12-2	RTB SWITCH 12-2	Lo
23	12	0V	GND	0V
24	25	0V	GND	0V
25	13			

AF128の入力は定電流回路内蔵のフォトカプラ受けです。

制御に於て外部からフォトカプラのコモン電源を供給できない場合にはピン1,2と3,4をリンクして、23,24をスイッチコモンとしてください。

この場合には機器間のアースのアイソレーションをすることは出来ません。

[caution]

These inputs are optcoupler with constant current.

If you can't supply power for optcoupler then link pin .

1-2 and 3-4. On this mode, switches common are pin 23 and 24.

D s u bコネクタはH a r dピン番号で接続してください。

D-Connector for wiring refer to Hard pin number Description.