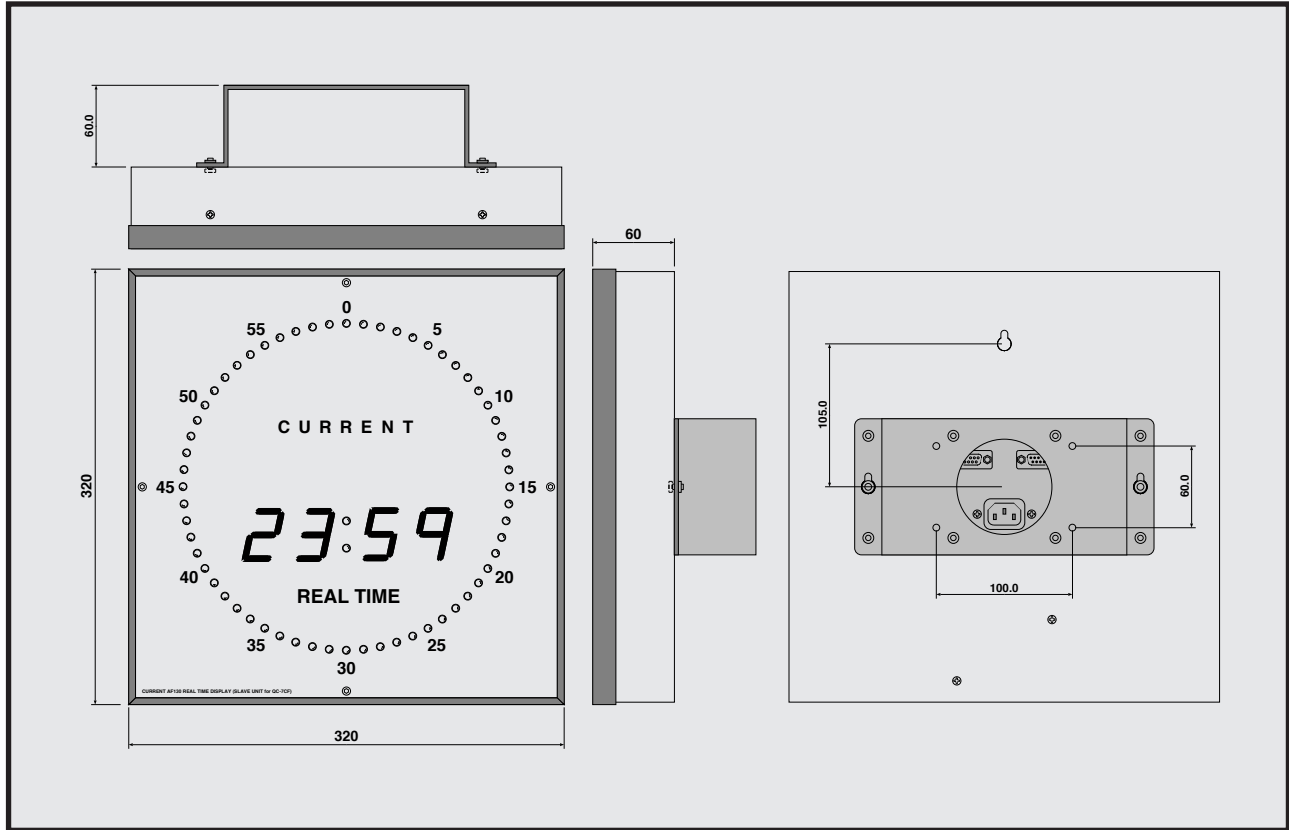


CURRENT PRODUCTS model:AF130

SLAVE CLOCK



- SEIKO QC-7CF compatible
- Logo indication (option)
- Large LED display
- Second pointer continuous bar indication
- Cascade connection possibility

AF130 is realtime display of the digital display which is available as slave clock of standard clock device QC-7CF equipped with a Telephone-JJY function of SEIKO company. It can construct the real-time display system which is precision of calibration error ± 10 ms in difference ± 70 ms in a week for Japan Standard Time. Moreover, it provides very high visibility because it uses high intensity LED.

"Second pointer"

The second pointer of AF130 uses high intensity LED of 5mm in diameter and shows high visibility even from the distance. Moreover, by the bar indication that LED turns on consecutively every 1 second, it can recognize it intuitively.

Connection "

The connection of AF130 inputs time data in RS232C, and a cascade connection is possible using throughout in several AF130. The distance between each AF130 is possible to approximately 50m, but the extension more than 100m is possible if it uses an RS232C repeater.

"Installation"

AF130 has 2 ways of mounting instruction, and one is a method to hang to the hook (wood screws) of the wall surface and is a method the other mounts an attached pedestal in a wall surface, and to fix. In addition, a mount adapter of the 8 U size is necessary extra when it is attached to 19 inches of racks. There are AC and the serial input and output connectors on the back.

"Others"

It can change the serial port to RS422/485 with an option. In addition, please refer about the change to TMC100 protocol.



Serial in DSUB9-F

01	06
02	07
03	232RX (422RX+)
04	09
05	GND

Thru out DSUB9-M

01	06
02	Reserved
03	232TX (422TX+)
04	09
05	GND

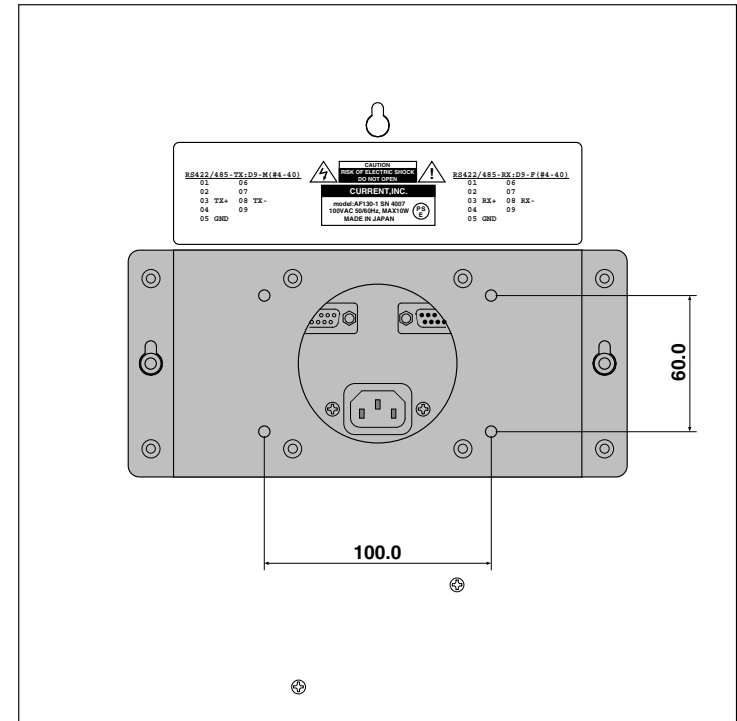
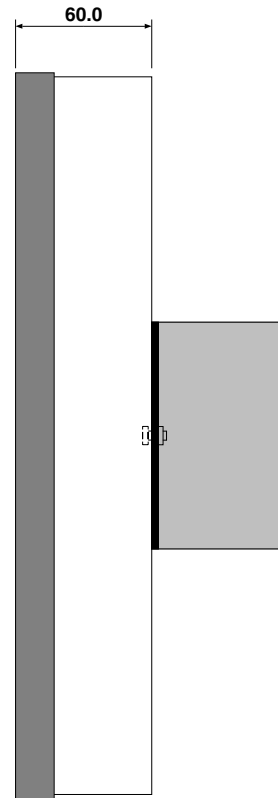
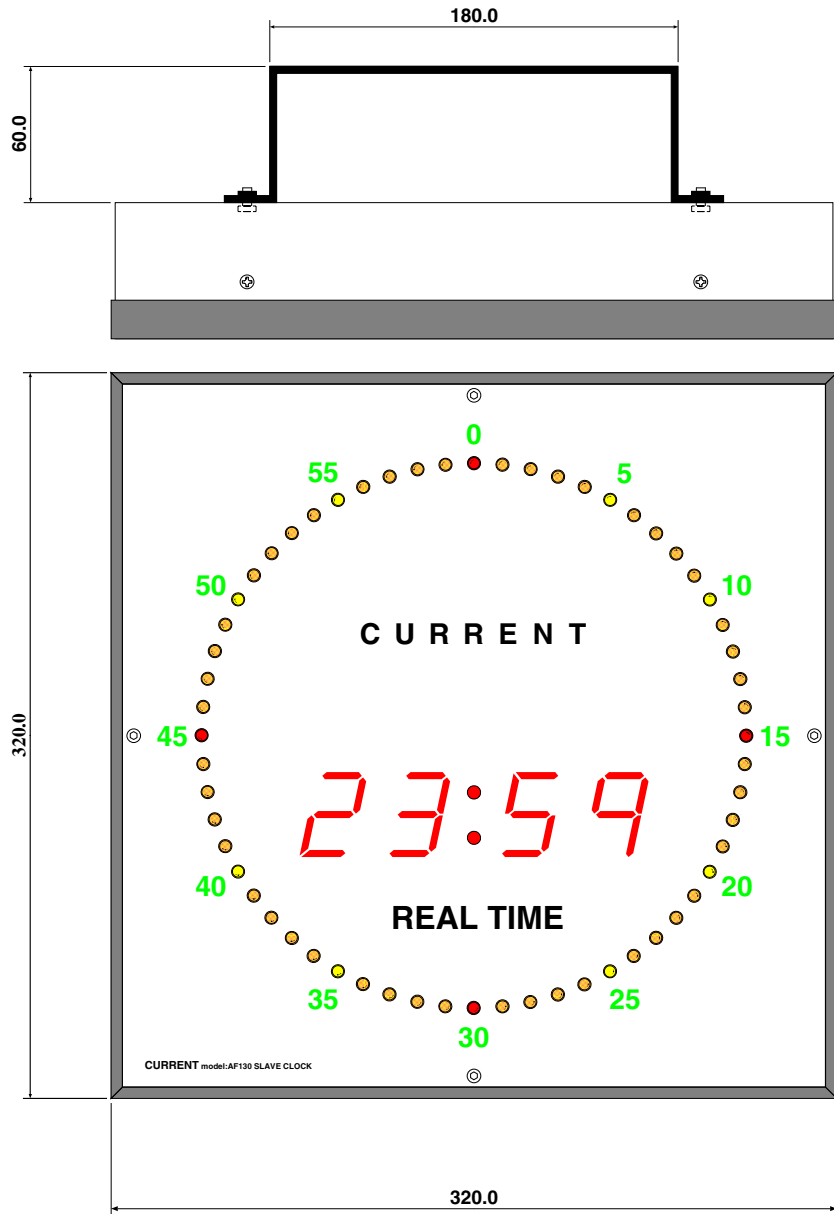
SPECIFICATIONS

- INPUT CONNECTOR: Dsub9-F (#4-40)
- THRU OUT CONNECTOR: Dsub9-M (#4-40)
- INTERFACE: RS232C
- PROTOCOL: SEIKO QC-7CF (9600bps, N81), STXhh:mm:ssETX
- MAINS: 100VAC 50/60Hz MAX10W
- DIMENSIONS: 320Wx320Hx60D, 3kg

Slave clock	AF130	¥480,000
19" mount panel		¥64,000
Custom silk print		¥64,000
accessory : AC cable		

The specifications are subject to change without notice.
2-26-11 AKATSUTSUMI, SETAGAYA-KU, TOKYO, 156-0044 JAPAN

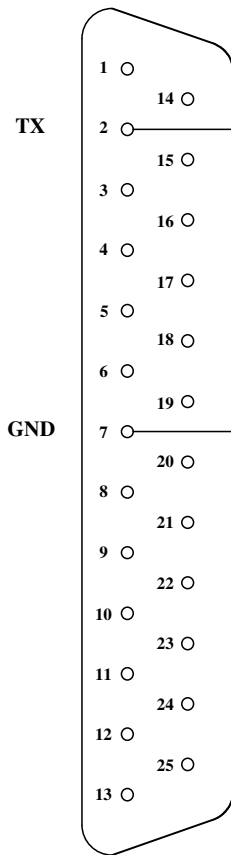
MONITOR SYSTEM
 HEADPHONES AMP
 CUE SYSTEM
 COMMUNICATION
 TB, COUGH SYSTEM
 MATRIX AMP
 AUDIO ROUTER
 AUDIO VIDEO
 SWITCHER
 SYSTEM SWITCHER
 EMERGENCY
 AUDIO VIDEO
 DISTRIBUTOR
 METER SYSTEM
 ANALOG, DIGITAL
 PREAMP MIXER
 LEVEL UNIT
 DIGITAL AUDIO
 FADER UNIT
 AUTO FADER
 TALLY FADER
 CLOCK, TIMER
 EVENT SYSTEM
 SPECIAL PRODUCTS
 ETC.



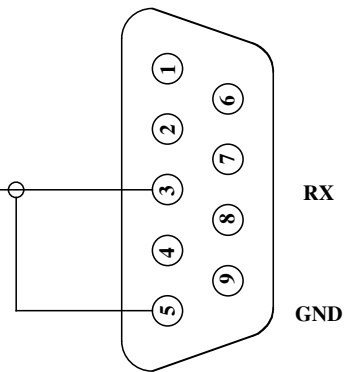
Nov.2007
Aug.2003

(C)CURRENT,INC.	AF130 SLAVE CLOCK	Sep.1996
H.ICHIHASHI	PANEL DIAGRAM	AF130-ID2007

AC-7CF
Dsub25-M (M2.6)



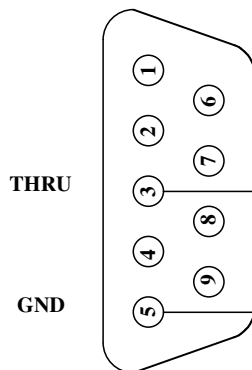
AF130 RX
Dsub9-M (#4-40)



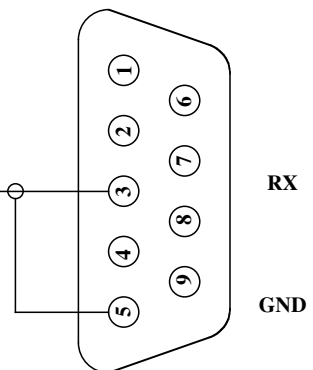
232C SERIAL RX CABLE

USE #4-40UNC SCREW

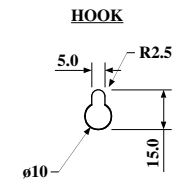
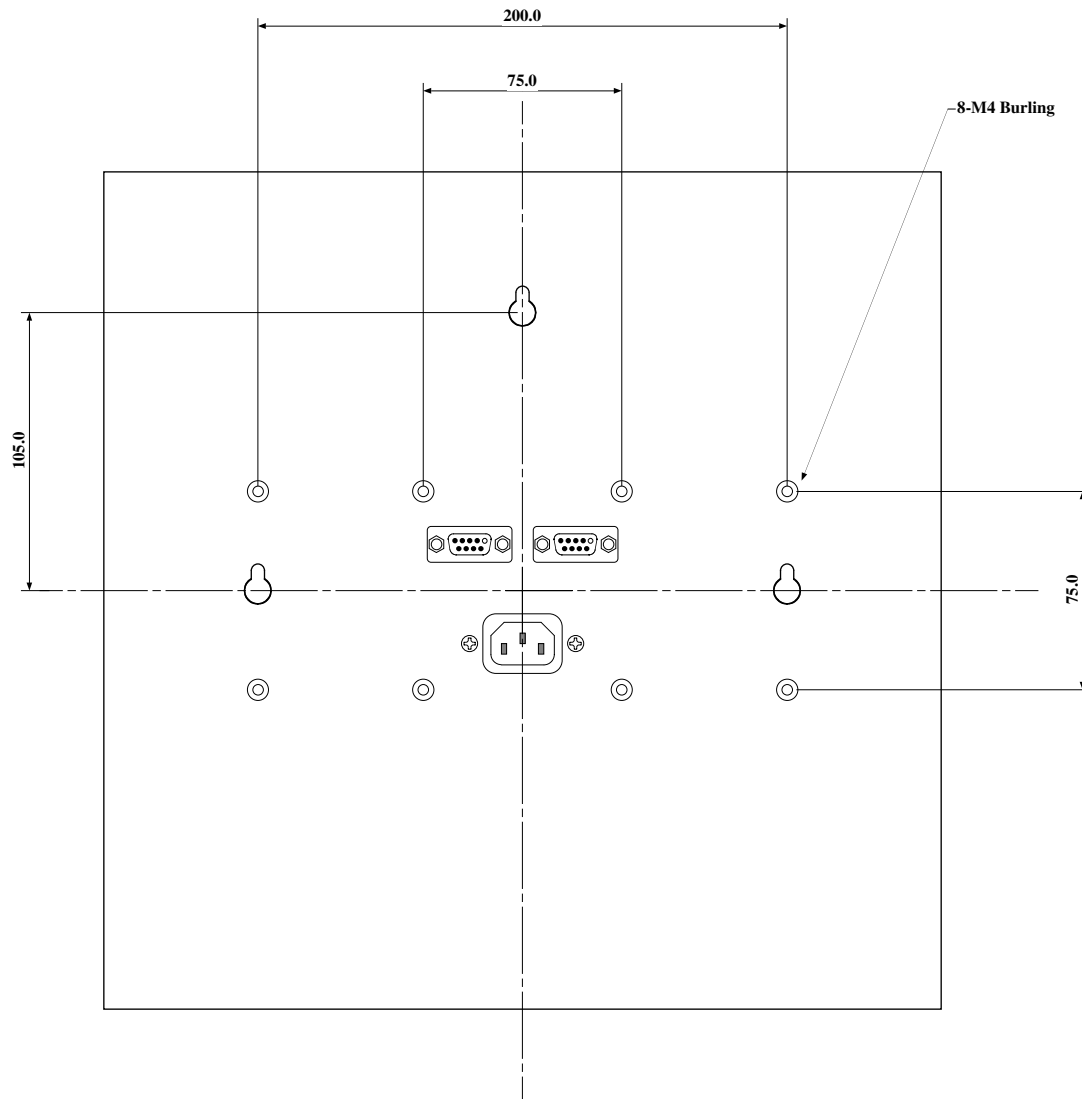
AF130 THRU OUT
Dsub9-F (#4-40)



AF130 RX
Dsub9-M (#4-40)

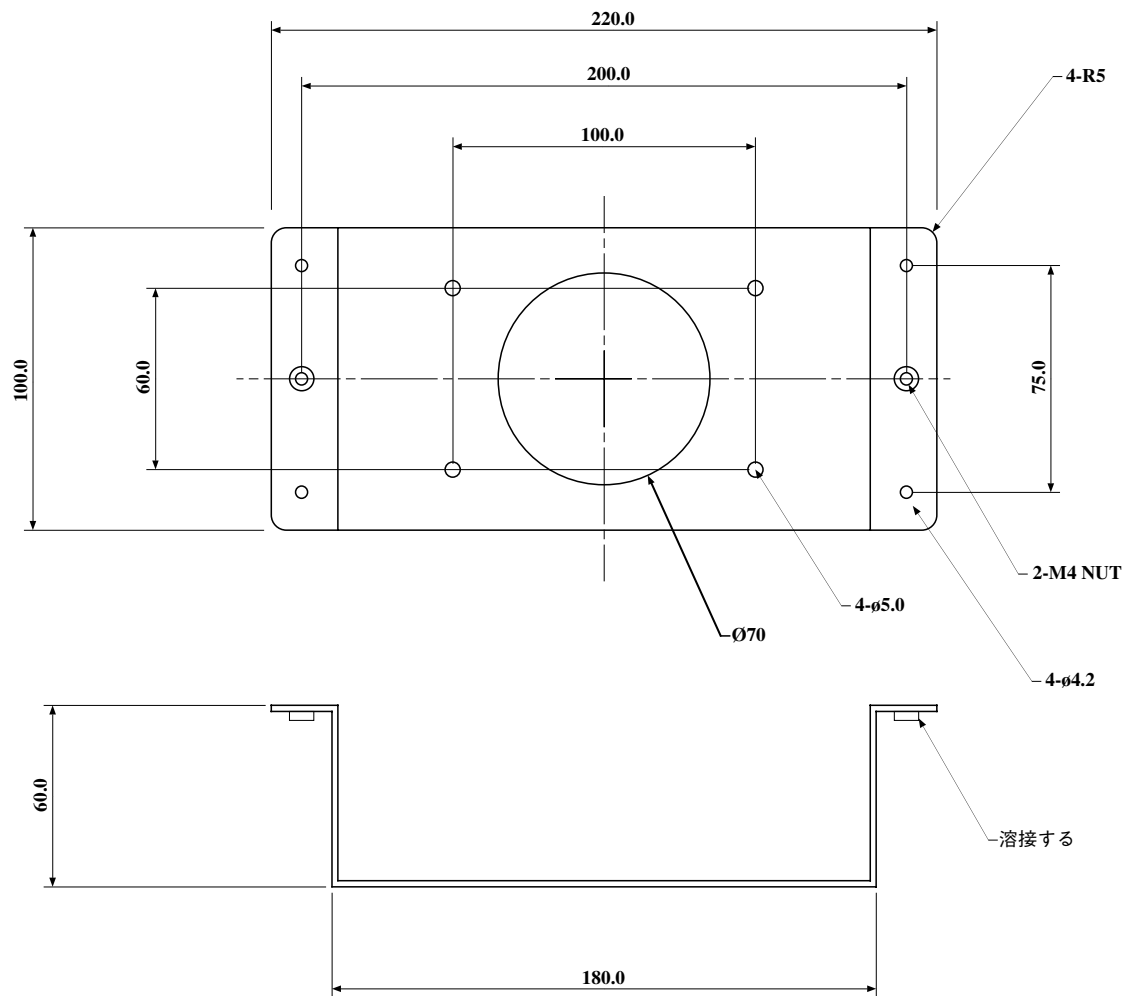


232C LINK CABLE



Nov.2007
Dec.2000

(C)CURRENT,INC.	AF130 CLOCK	Sep.1996
HJCHHASHI	CASE	AF130-m-case



SPCC 2.0

2.117.173

Nov.2007

(C)CURRENT,INC.	AF130 CLOCK	Dec.2000
H.ICHIHASHI	MOUNT	AF130-m-mount