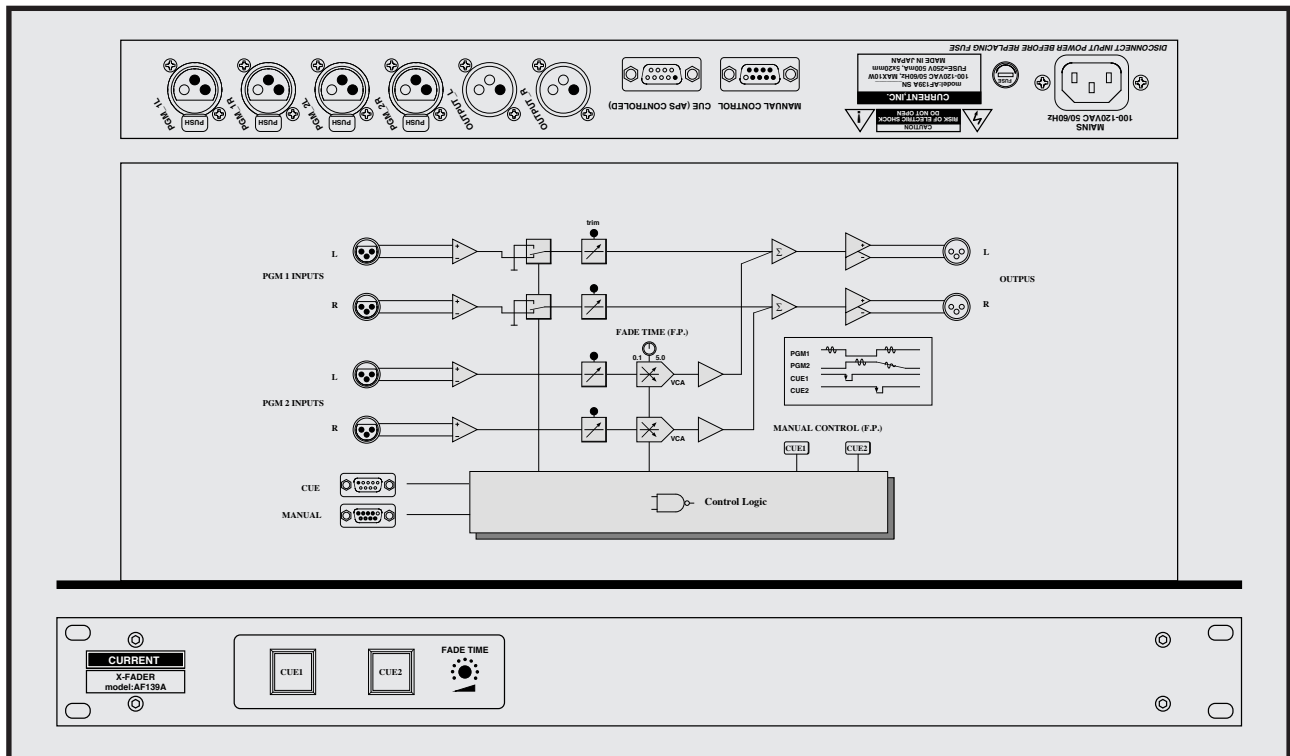


CURRENT PRODUCTS model:AF139A

X-FADER



Stereo cross-fader
 Remote control
 Operation is possible in the main frame
 Fade time variable
 Most suitable for the automatic CM insertion
 Applicable as emergency broadcasting system
 It is applicable as a one-man narration system
 19 inches 1U size

AF139A is the cross-fade unit which can switch 2 program sources by a tarry signal. It switches while fade-outing at the time of the transfer from a subprogram to a main program. It can apply it to the automatic CM insertion, emergency broadcasting system, a narration system.

"Action"

PGM1 is output with the initial state. When CUE1 signal is input then, it switches to PGM2. When CUE2 signal is input in this state, it switches to PGM1, and PGM2 fade-outs. It can set the fade-out time from about 100m sec to 5 sec in a trim of the front panel.

"Control"

CUE1 and CUE2 of the switch signal of AF139A, please connect relay contact or an open collector. It is necessary for the switch signal to input one-shot pulses more than 100mS. When you connect a manual switch to external, please connect a momentary switch. Additionally, +5V for tarries is output to a control connector.

"Cross-fader type"

The cross-fader specifications to make reverse fade whenever PGM1 and 2 switch it, please specify AF139-1.

"Others"

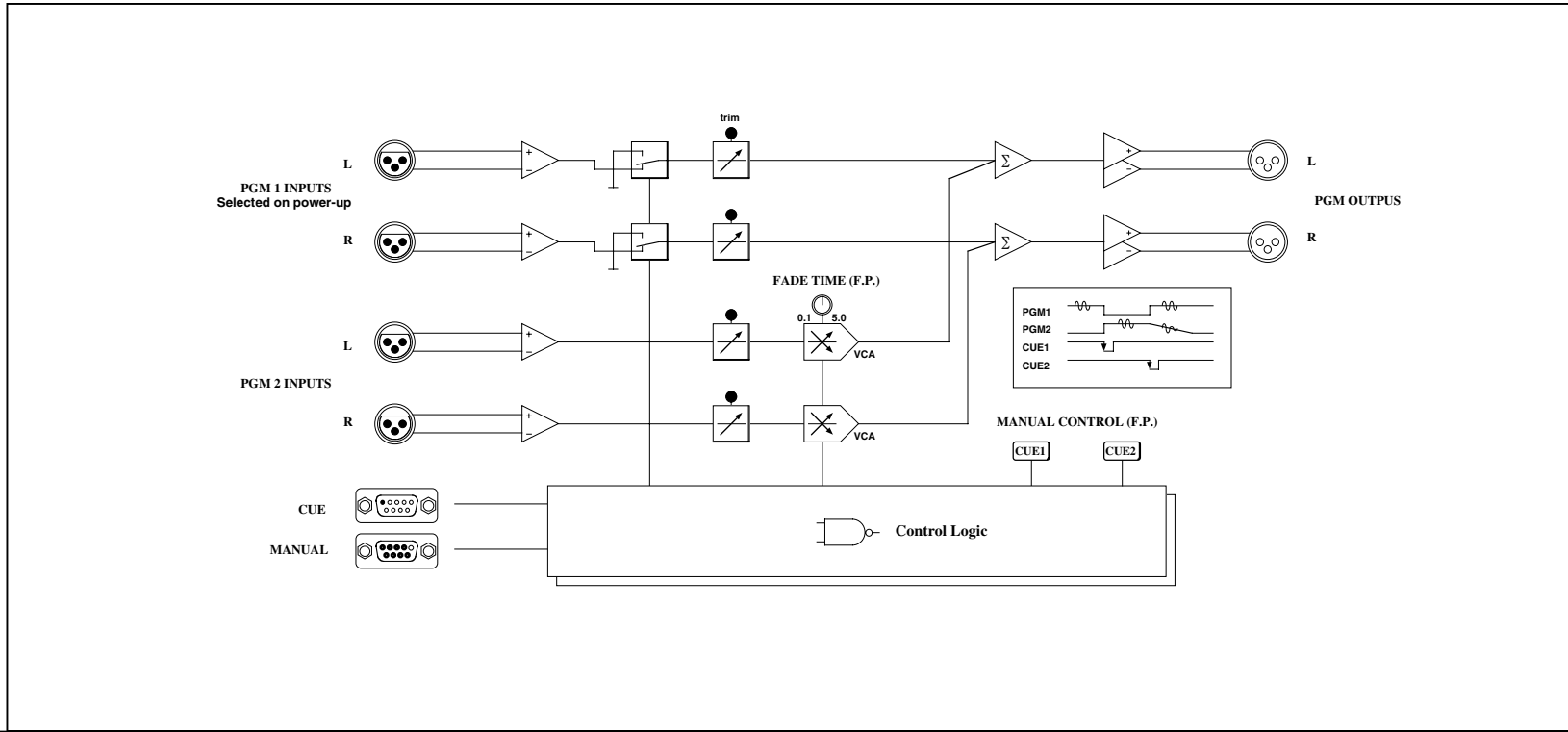
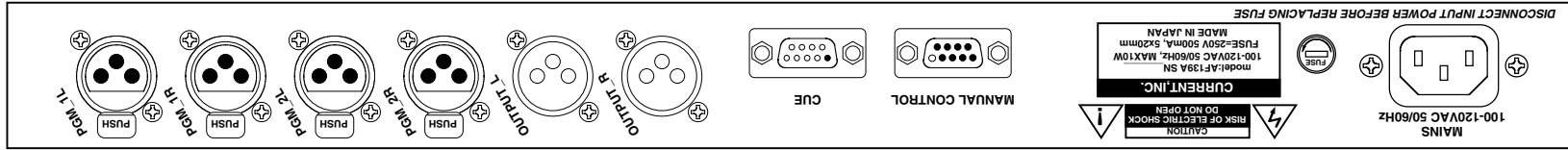
As related equipment of AF139A, please consider in addition in AF127 of 10ch automatic fader I/F for consoles with VCA interface, AF137 for one-man DJ, PMS410 of the automatic fader of 4 stereo-channel tarry control.



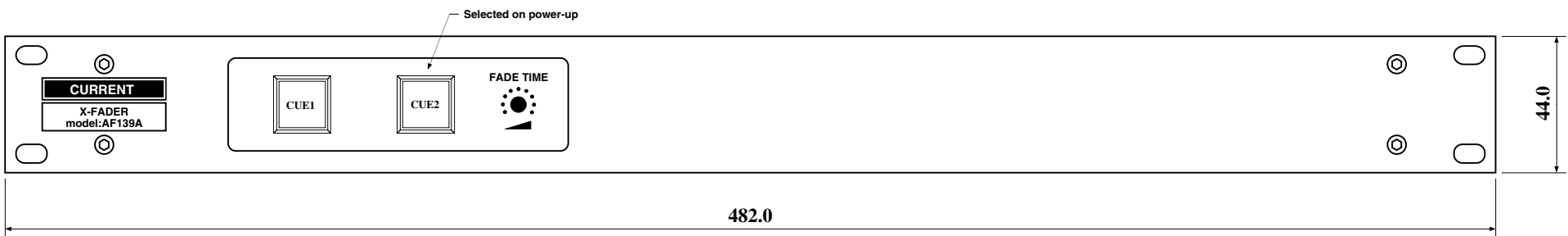
SPECIFICATIONS

- 🍏 PROGRAM INPUT 1,2: STEREO BALANCED 22kΩ XLR3-F
- 🍏 INPUT REFERENCE LEVEL: +4dBu, max=+24dBu
- 🍏 PROGRAM OUTPUT: STEREO BALANCED 50Ω XLR3-M
- 🍏 OUTPUT REFERENCE LEVEL: +4dBu, max=+24dBu
- 🍏 CUE CONTROL: Dsub-9M (#4-40)
- 🍏 MANUAL CONTROL: Dsub-9F (#4-40)
- 🍏 FREQUENCY RESPONSE: 20Hz-20kHz ±0.1dB
- 🍏 THD: < 0.03% at 1kHz REFERENCE LEVEL
- 🍏 NOISE: < -85dBu
- 🍏 MAINS: 100-120VAC 50/60Hz MAX=10W
- 🍏 DIMENSIONS: 482Wx44Hx303D 4kg

Auto Fader	AF139A	¥320,000
Cross fader type	AF139A-1	¥360,000
accessory : AC cable		



302.6



(c)CURRENT,INC.	AF139A X-FADER	Oct.2005
H.ICHIHASHI	PANEL DIAGRAM	AF139A-D

"AF139A" Connector Pin List

"CUE" D9-M(#4-40)				
Ribbon	Hard	Signal name	Designation	Active
1	1	SW COM	Switches common	0V
2	6	LP COM	Lamps common	+5V
3	2	CUE1 SW	CUE1 switch	0V
4	7	CUE1 LP	CUE1 lamp	0V
5	3	CUE2 SW	CUE2 switch	0V
6	8	CUE2 LP	CUE2 lamp	0V
7	4			
8	9			
9	5			

"MANUAL" D9-F(#4-40)				
Ribbon	Hard	Signal name	Designation	Active
1	1	SW COM	Switches common	0V
2	6	LP COM	Lamps common	+5V
3	2	CUE1 SW	CUE1 switch	0V
4	7	CUE1 LP	CUE1 lamp	0V
5	3	CUE2 SW	CUE2 switch	0V
6	8	CUE2 LP	CUE2 lamp	0V
7	4			
8	9			
9	5			

タリ-は50mA以下で使用して下さい。

注意！ DサブコネクタはHARDピン番号で接続してください。取付ビスは#4-40インチビスを使用して下さい。

CAUTION! D-Connector for wiring refer toHard pin number Description. Mounting screw for D-connector use #4-40 size.