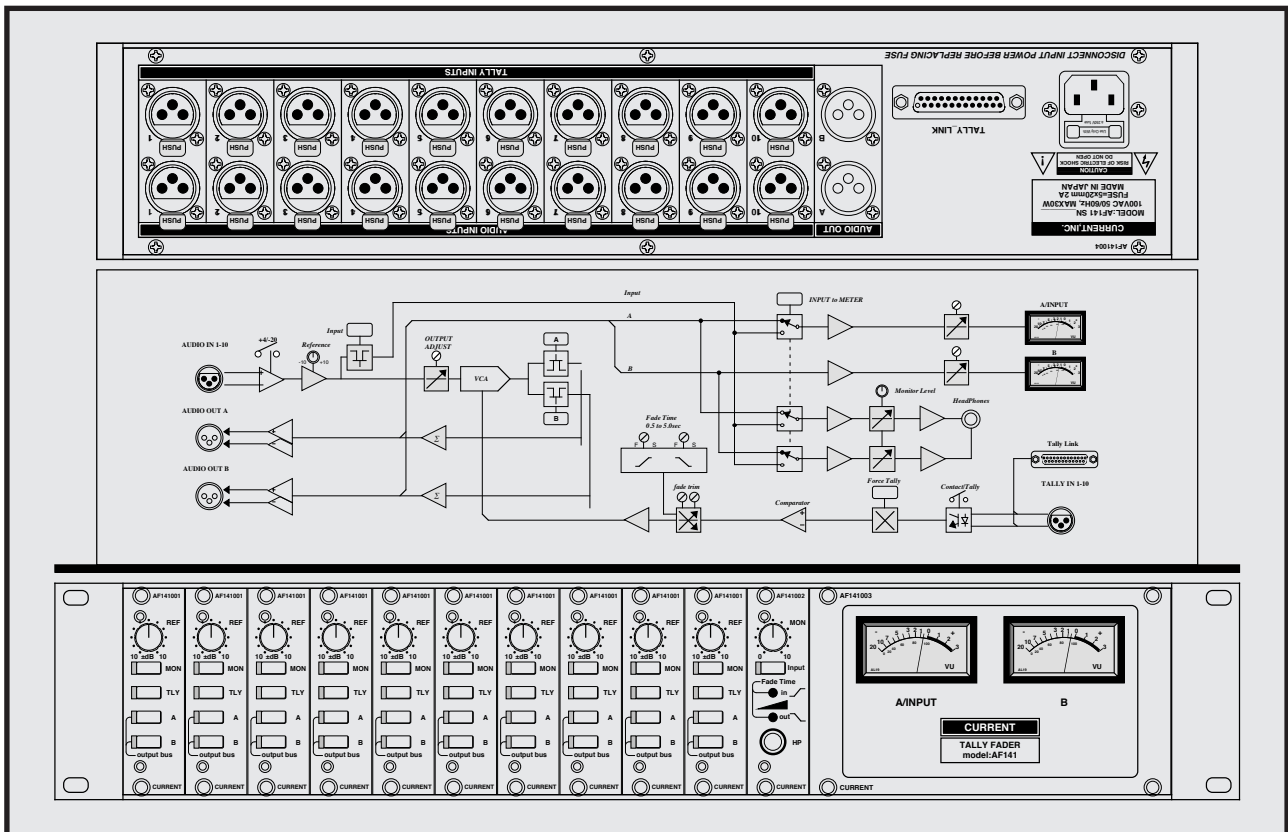


# CURRENT PRODUCTS model:AF141

## TALLY FADER



10ch tarry fader, Dual output bus, VU meter  
 Reference level variable  
 Headphone monitor, Plug-in module form  
 19 inches 2U size

**AF141 is tarry fader of by 10ch input and 2 bus output. It is linked with individual tarry contact or the voltage and does fade-in, fade-out, and the fade time is settable in a master module together. It can monitor the input and output level with a VU meter and a headphone monitor. The plug-in module allows the change of the tarry mode, a reference level and a simple setting change of the fade time.**

### "Input level"

There is a variable with an input level every each input module in the range of  $\pm 10$ dB. As for the knob, a center click is reference position.

### "Output bus"

The output of each input module is sent to the bus with A, B button. When it chooses it with multiple channels simultaneously, it mixes it and is output.

### "Reference level"

It is +4dBu in factory, but can change in -20dBu with the switch in each input module.

### "Fade-in, out"

10ch is the trim of the master module simultaneously, and, as for the fade time, there are continuous variables to 0.5 to 3 sec. Moreover, it can make a variable by a working to add to master fade time in each ch.

### "Tarry mode"

It is set for dry contact support in factory, but can change the voltage from +5V to +24V in a mode to receive with the switch in each input module.

### "Monitor"

The VU meter monitors output bus A, B, but the meter mode of the master module indicates the channel which pressed MON switch on a meter of A in case of INPUT. As for the headphone monitor, in the case of INPUT mode, it becomes the mono.

### "Manual tarry"

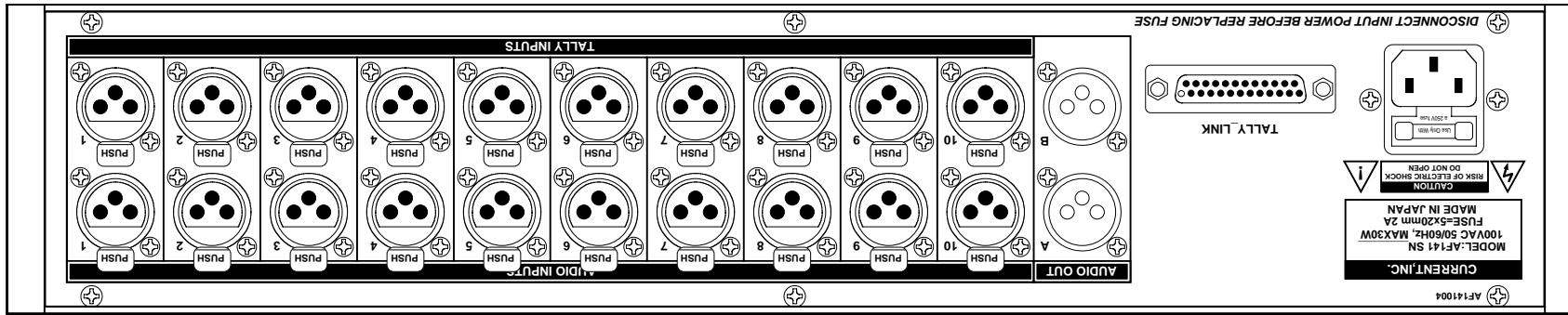
It can turn on a tarry with the TLY switch of each input module forcibly. It becomes the or action with the external tarry input. While a tarry is input, LED of the switch left turns on.



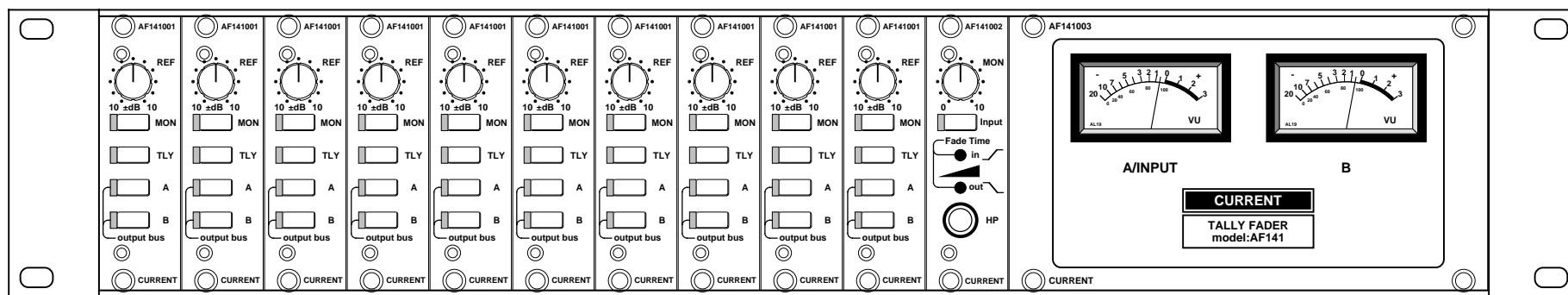
## SPECIFICATIONS

- 🍏 **AUDIO INPUT:** BALANCED, 20k $\Omega$  🍏 **CONNECTOR:** XLR3-F
- 🍏 **INPUTS REFERENCE LEVEL:** +4dBu/-20dBu 🍏 **INPUT TRIM:**  $\pm 10$ dB
- 🍏 **MAXIMUM INPUTS LEVEL:** +24dBu at +4dBu ref, -4dBu at -20dBu ref
- 🍏 **AUDIO OUTPUTS:** BALANCED, 50 $\Omega$  🍏 **CONNECTOR:** XLR3-M
- 🍏 **OUTPUTS REF:** +4dBu, MAX=+24dBu 🍏 **RESP.:** 20 to 20kHz  $\pm 0.1$ dB
- 🍏 **TALLY LINK CONNECTOR:** D25-F(#4-40)
- 🍏 **THD:** <0.01% at Reference Level 🍏 **FADE TIME:** 0.5s ~ 3s
- 🍏 **MONITOR:** VU METER, HEADPHONES 500mW
- 🍏 **EIN:** <-90dB 🍏 **MAINS:** 100VAC 50/60Hz MAX 30W
- 🍏 **DIMENSIONS:** 482.6Wx88Hx320.6D, 6kg

TallyFader	AF141	¥1,320,000
		accessory : AC cable



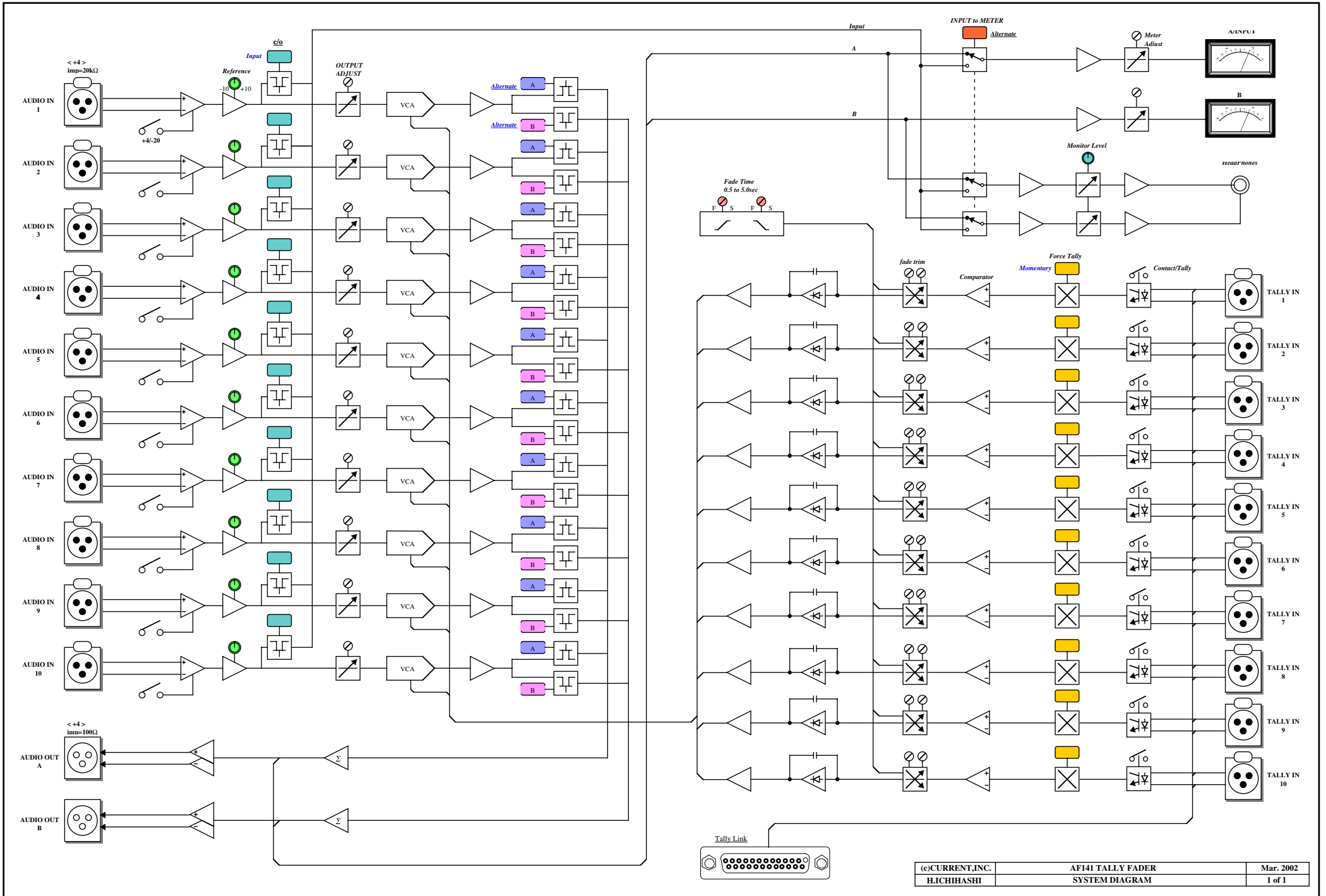
302.6



88.05

482.6

(c)CURRENT,INC.	AF141 TALLY FADER	MAR.2002
H.ICHHASHI	PANEL DIAGRAM	AF141-D



# AF141 "TALLY LINK" (D25-F #4-40)

Ribbon	Hard	Signal name	TALLY INPUT	Active
1	1	1a	FU OUTPUT 1a	
2	14	1b	FU OUTPUT 1b	
3	2	2a	FU OUTPUT 2a	
4	15	2b	FU OUTPUT 2b	
5	3	3a	FU OUTPUT 3a	
6	16	3b	FU OUTPUT 3b	
7	4	4a	FU OUTPUT 4a	
8	17	4b	FU OUTPUT 4b	
9	5	5a	FU OUTPUT 5a	
10	18	5b	FU OUTPUT 5b	
11	6	6a	FU OUTPUT 6a	
12	19	6b	FU OUTPUT 6b	
13	7	7a	FU OUTPUT 7a	
14	20	7b	FU OUTPUT 7b	
15	8	8a	FU OUTPUT 8a	
16	21	8b	FU OUTPUT 8b	
17	9	9a	FU OUTPUT 9a	
18	22	9b	FU OUTPUT 9b	
19	10	10a	FU OUTPUT 10a	
20	23	10b	FU OUTPUT 10b	
21	11			
22	24			
23	12			
24	25			
25	13			

タリー（電圧）を接続する場合にはaとbに5から24Vを接続してください。  
電圧の極性は問わず、直流でも交流でも構いません。

注意！ Dサブコネクタの接続はHARDピン番号で接続してください。取付は#4-40インチビスです。

**CAUTION! D-Connector for wiring refer toHard pin number Description. Mounting screw for D-connector use #4-40 size.**