

Cough interface for insertion
 AF106, AF124 support
 O2R, O2R96, O3D other support
 2 channels
 Compact
 Power supply unnecessary (at AF201A)

AF204 is cough interface to use in combination with studio interface AF201A. It is compatible with the console of the type using the 3P phone jack at the insert point. It allows cough control without the click noise in a soft switch action.

"Cough interface"

It can connect two cough to AF204 connected to the insert point. It can connect cough box of open collector or contact output to control input.

"Caution of operation"

For prevention of noise, please use shield cable for a connection cable by all means.

"Others"

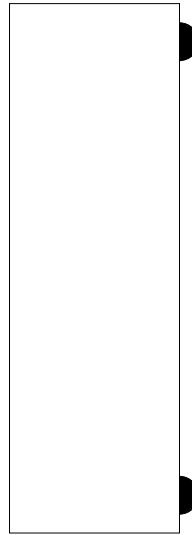
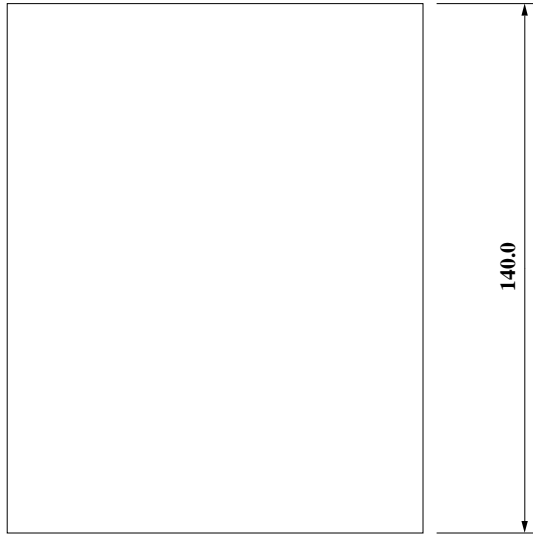
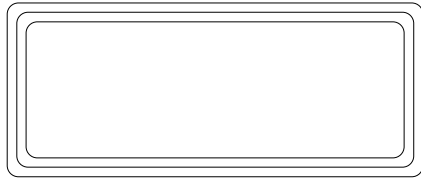
As related products, there are VCA unit AF125, studio interface AF201A and 2201, cough box AF106 and 124.



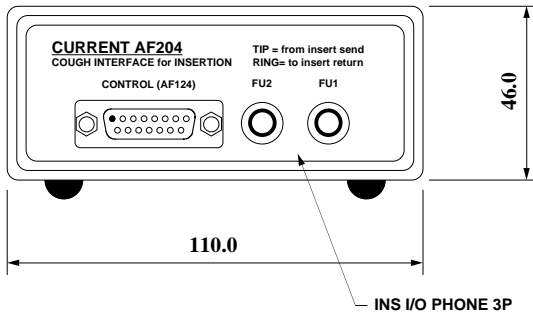
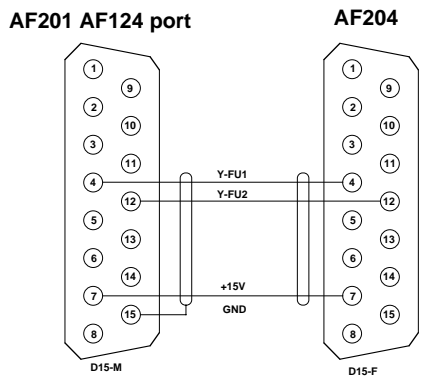
SPECIFICATIONS

- 🍏 **AUDIO INPUT:** Tip
- 🍏 **AUDIO OUTPUT:** Ring
- 🍏 **CONNECTOR:** 1/4" Phone 3P
- 🍏 **INPUTS REFERENCE LEVEL:** 0dBu
- 🍏 **MAXIMUM INPUTS LEVEL:** +20dBu
- 🍏 **THD:** <0.01% at Reference Level
- 🍏 **CONTROL PORT:** Dsub15-M(#4-40)
- 🍏 **DIMENSIONS:** 110Wx46Hx140D, 0.3kg

Cough I/F	AF204 accessory : None	¥48,000
-----------	---------------------------	---------



AF201 to AF204 CABLE DIAGRAM



(c)CURRENT,INC.	AF204 COUGH I/F	Aug.2007
H.ICHIHASHI	PANEL DIAGRAM	Apr.2007
		Jan.1997
		AF204-D2007