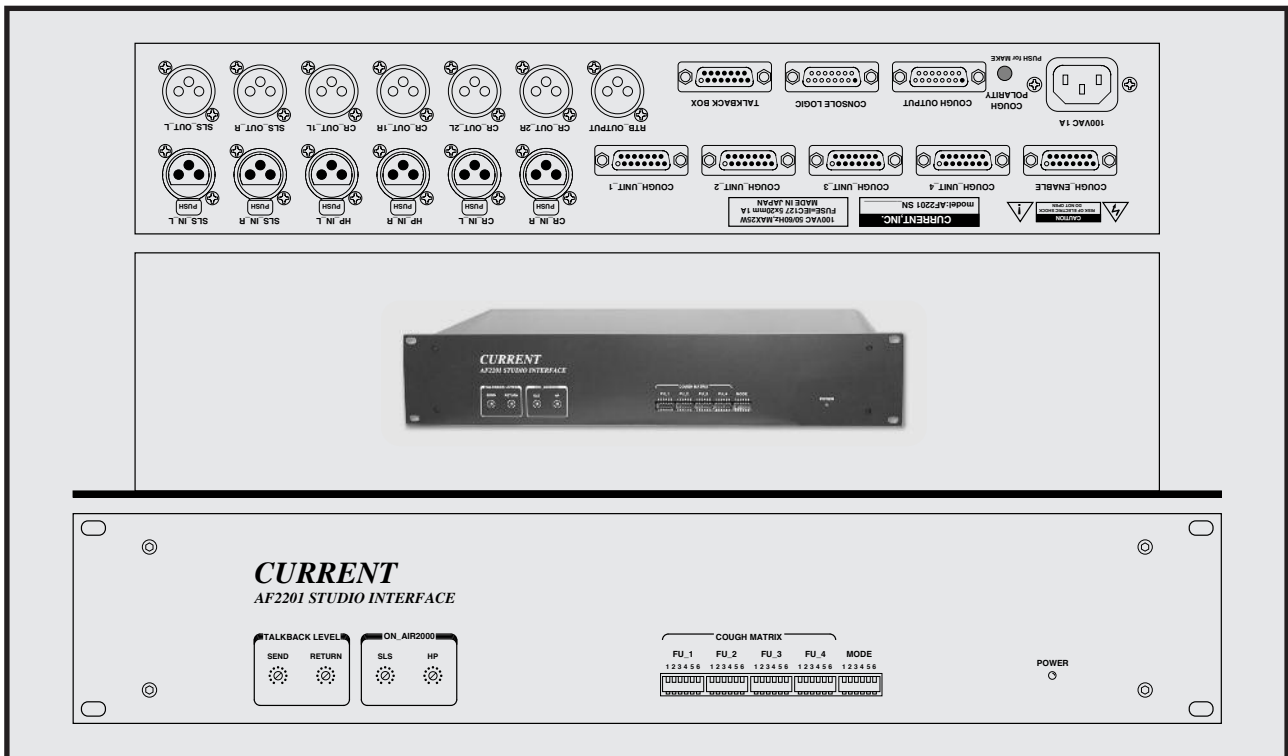


# CURRENT PRODUCTS model:AF2201

## STUDIO INTERFACE



**Studio communication interface**  
 It is connectable with 4 cough  
 Cough matrix of 4x6  
 CR monitor control of dual  
 Monitor I/F for STUDER ONAIR 2000

**AF2201 provides total communication system environment such as cough in studio, talkback, backtalk, CUE lamp. Basic feature includes indispensable cough and console interface function by the broadcasting and postproduction system. Cough matrix of 4:6 is providing for the cough output, too.**

### "Monitor"

There are input from console and the output to SLS in SLS, and it becomes cut state in TRANSMIT mode forcibly. It is implementing monitor input for exclusive use of cough. Moreover, to console of headphone monitor output change is made that there is not it in mode using SLS input. It can connect two CR monitors, and forced mode to cut can set it in cough ON.

### "Cough I/F"

AF124 is compatible with cough unit to use in booth, and touch switch for cough, fader, CUE lamp, RTB switch, RTB microphone and headphone and earphone for monitors are equipped with. It uses DIM of -20dB to program signal in TB and it mixes TB signal and sends it to monitor. Moreover, SLS is cut in RTB automatically and prevents howling. It is possible to assign the cough output of 6 channel 4 cough connected to AF2201 with DIP switch of front panel. It can control 1, 2, 3, 4, 5 and 6 of console fader as master with 1 cough when it uses this function. It is OR working, and each DIP switch assigns 1 and 2 cough 1 and does not have any problem even if it assigns 2 and 3 cough 2. Moreover, as for the cough output, polarity change is possible with switch of rear panel. Relay contact becomes by default open in cough ON.

### "TB"

It uses TB963 for TB from CR to booth. TB, CUE, MINI\_SP switch and TB microphone are implemented in TB963. It can use TB961 without MINI\_SP switch for AF2201, too. DIM of -20dB works to CR monitor and cough monitor

in TB, and TB signal is sent to booth via compressor. Additionally, setting of compressor comes with variable internally.

### "RTB"

When RTB button of cough is pressed, SLS is cut, and DIM works to CR monitor, and backtalk signal is output to the RTB output. In addition, RTB contact is output to CONSOLE LOGIC connector, too. When it becomes ON either among 4 cough, the RTB output and contact work.

### "CUE"

When CUE button of TB961 is pressed, CUE lamp of AF124 turns on. In addition, it can connect external CUE lamp AF205A to AF124. CUE contact is output to 4 connectors for cough connection and can connect CUE lamp in CR.

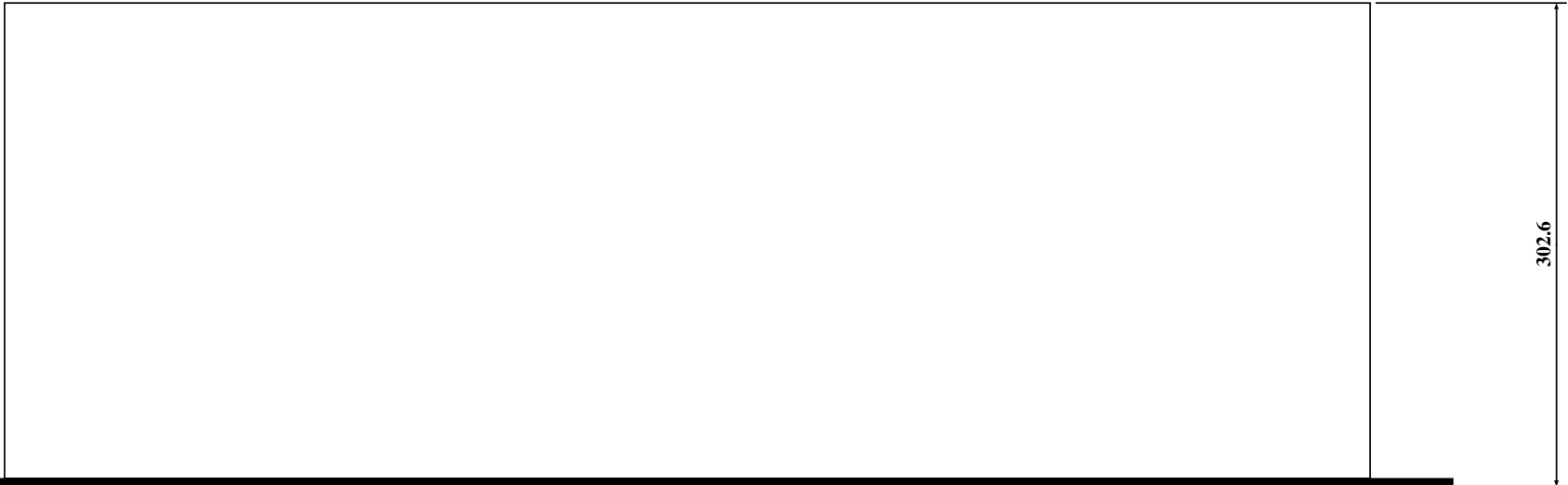
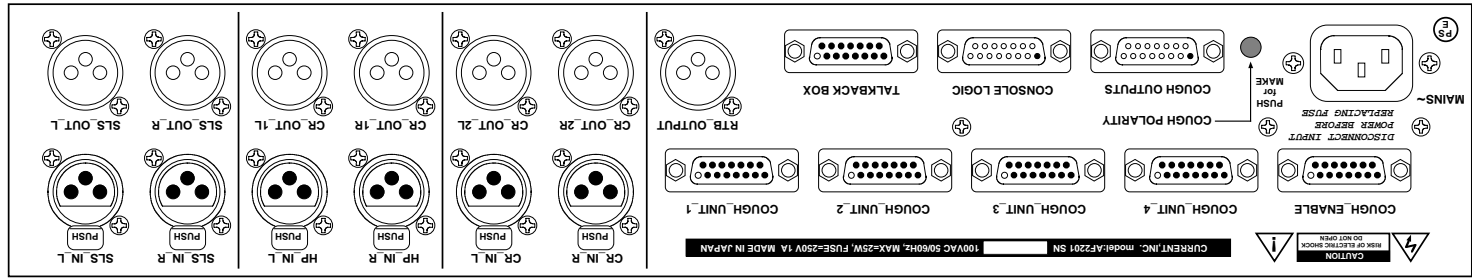
### "ONAIR 2000"

When it uses it with STUDER ONAIR 2000 console, it can set HP/EP monitor level with front panel. Additionally, it is supporting in logic of communication.

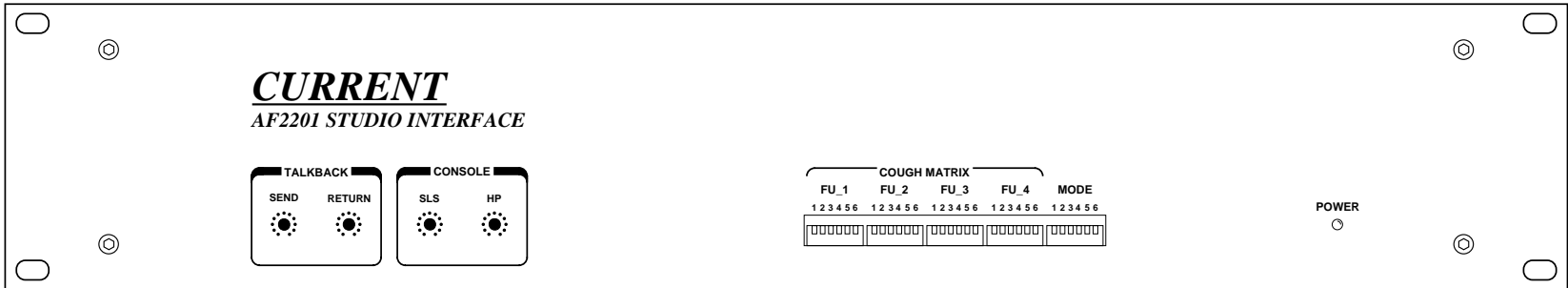
## SPECIFICATIONS

- 🍏 **SLS/HP INPUTS:** BAL, 12kΩ, +4dBu, MAX +24dBu, XLR3-F
- 🍏 **SLS/RTB OUTPUTS:** BAL, 50Ω, +4dBu, MAX +24dBu, XLR3-M
- 🍏 **CR INPUTS:** BALANCED, +4dBu, MAX +24dBu, XLR3-F
- 🍏 **CR OUTPUTS:** BALANCED, +4dBu, MAX +24dBu, XLR3-M
- 🍏 **COUGH UNIT:** Dsub15-F(#4-40) 🍏 **COUGH OUT:** Dsub15-M(#4-40)
- 🍏 **TB BOX:** Dsub15-F(#4-40) 🍏 **CONSOLE LOGIC:** Dsub15-M(#4-40)
- 🍏 **CONTROL:** TB/RTB LEVEL, ONAIR2000 SLS/HP LEVEL, COUGH MATRIX, COUGH POLARITY, TRANSMIT, USE\_SLS, CR\_CUT ON FU\_ON 🍏 **RESPONSE:** 20Hz-20kHz ±0.1dB 🍏 **THD:** < 0.01% 🍏 **NOISE:** < -90dB 🍏 **MAINS:** 100VAC 50/60Hz 25W(MAX)
- 🍏 **DIMENSIONS:** 482Wx88Hx303D 6kg

Studio Interface	AF2201	¥398,000
		accessory : AC cable



302.6

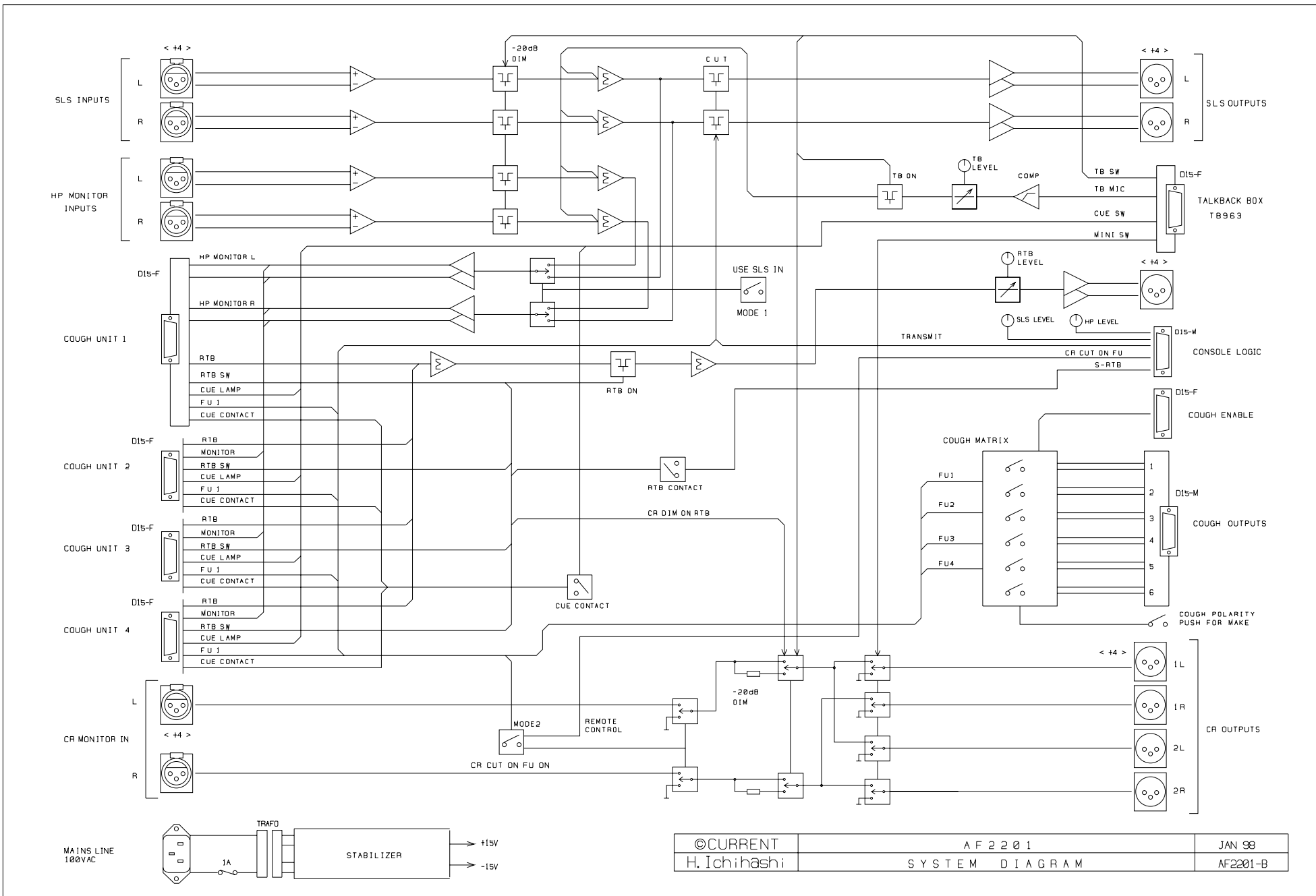


88.0

482.0

May.2007

(c)CURRENT,INC.	STUDIO INTERFACE AF2201	Jan.98
H.ICHIHASHI	PANEL DIAGRAM	AF2201-D2007



# AF2201 "Console Logic" (D15-M #4-40)

Ribbon	Hard	Signal name	Designation	Active
1	1	SLS_CW	ON_AIR2000 SLS TRIM CW (counter wise)	
2	9	SLS_WP	ON_AIR2000 SLS TRIM WIPER	
3	2	SLS_CCW	ON_AIR2000 SLS TRIM CCW (counter clock wise)	
4	10	HP_CW	ON_AIR2000 HP TRIM CW	
5	3	HP_WP	ON_AIR2000 HP TRIM WIPER	
6	11	HP_CCW	ON_AIR2000 HP TRIM CCW	
7	4	CR_CUT_	CR MONITOR CUT on FU MODE	L
8	12	TRANSMIT+	TRANSMIT IN +	
9	5	TRANSMIT-	TRANSMIT IN -	
10	13	X-RTB	RTB CONTACT X	RELAY
11	6	Y-RTB	RTB CONTACT Y	RELAY
12	14	N.C.	None Connection	
13	7	+15V	+15V POWER SUPPLY	+15V
14	15	0V	0V	0V
15	8			

注意！ Dサブコネクタの接続はHARDピン番号で接続してください。取付は#4-40インチビスです。

**CAUTION! D-Connector for wiring refer to Hard pin number Description. Mounting screw for D-connector use #4-40 size.**

# AF2201 "Cough Enable" (D15-F #4-40)

Ribbon	Hard	Signal name	Designation	Active
1	1			
2	9			
3	2	LP COM	LAMP COMMON (MAX 50mA)	+15V
4	10	SW COM	SWITCH COMMON	0V
5	3	ENA SW 1	COUGH ENABLE SWITCH 1	
6	11			
7	4	ENA SW 2	COUGH ENABLE SWITCH 2	
8	12			
9	5	ENA SW 3	COUGH ENABLE SWITCH 3	
10	13			
11	6	ENA SW 4	COUGH ENABLE SWITCH 4	
12	14			
13	7			
14	15			
15	8			

注意！ Dサブコネクタの接続はHARDピン番号で接続してください。取付は#4 - 40インチビスです。

**CAUTION! D-Connector for wiring refer to Hard pin number Description. Mounting screw for D-connector use #4-40 size.**

# AF2201 "Cough Output" (D15-M #4-40)

Ribbon	Hard	Signal name	Designation	Active
1	1	FU1A	FU CONTACT COMMON 1	RELAY
2	9	FU1B	FU CONTACT MAKE/BLAKE 1	RELAY
3	2	FU2A	FU CONTACT COMMON 2	RELAY
4	10	FU2B	FU CONTACT MAKE/BLAKE 2	RELAY
5	3	FU3A	FU CONTACT COMMON 3	RELAY
6	11	FU3B	FU CONTACT MAKE/BLAKE 3	RELAY
7	4	FU4A	FU CONTACT COMMON 4	RELAY
8	12	FU4B	FU CONTACT MAKE/BLAKE 4	RELAY
9	5	FU5A	FU CONTACT COMMON 5	RELAY
10	13	FU5B	FU CONTACT MAKE/BLAKE 5	RELAY
11	6	FU6A	FU CONTACT COMMON 6	RELAY
12	14	FU6B	FU CONTACT MAKE/BLAKE 6	RELAY
13	7	+15V	+15V POWER SUPPLY (テスト用)	+15V
14	15	0V	0V (テスト用)	0V
15	8	N.C.	None Connection	

注意！ Dサブコネクタの接続はHARDピン番号で接続してください。取付は#4-40インチビスです。

CAUTION! D-Connector for wiring refer to Hard pin number Description. Mounting screw for D-connector use #4-40 size.

# AF2201 "Cough Unit 1-4" (D15-M #4-40)

Ribbon	Hard	Signal name	Designation	Active
1	1	MON L+	MONITOR SEND L +	
2	9	MON L-	MONITOR SEND L -	
3	2	MON R+	MONITOR SEND R +	
4	10	MON R-	MONITOR SEND R -	
5	3	B-CUE	CUE LAMP	L
6	11	S-RTB	RTB SWITCH	L
7	4	N.C.	None Connection	
8	12	Y-FU_	FU SIGNAL	on=L
9	5	L-MIC+	RTB MIC RETURN +	
10	13	L-MIC-	RTB MIC RETURN -	
11	6	K-CUE_A	CUE CONTACT A	RELAY
12	14	K-CUE_B	CUE CONTACT B	RELAY
13	7	+15V	+15V POWER SUPPLY	+15V
14	15	0V	0V	0V
15	8	-15V	-15V POWER SUPPLY	-15V

注意！ Dサブコネクタの接続はHARDピン番号で接続してください。取付は#4-40インチビスです。

**CAUTION! D-Connector for wiring refer to Hard pin number Description. Mounting screw for D-connector use #4-40 size.**

# AF2201 "Talkback Box" (D15-F #4-40)

Ribbon	Hard	Signal name	Designation	Active
1	1			
2	9			
3	2	LP COM	LAMPS COMMON +15V	+15V
4	10	SW COM	SWITCH COMMON 0V	0V
5	3	TB SW	TB SWITCH	0V
6	11			
7	4	CUE SW	CUE SWITCH	0V
8	12			
9	5	MINI SW	MINI MONITOR SELECT SWITCH	0V
10	13			
11	6			
12	14			
13	7	+4.5V	+4.5V MIC POWER	+4.5V
14	15	TB MIC	TALKBACK MIC SIGNAL	
15	8	GND	MIC GND	0V

注意！ Dサブコネクタの接続はHARDピン番号で接続してください。取付は#4-40インチビスです。

**CAUTION! D-Connector for wiring refer to Hard pin number Description. Mounting screw for D-connector use #4-40 size.**