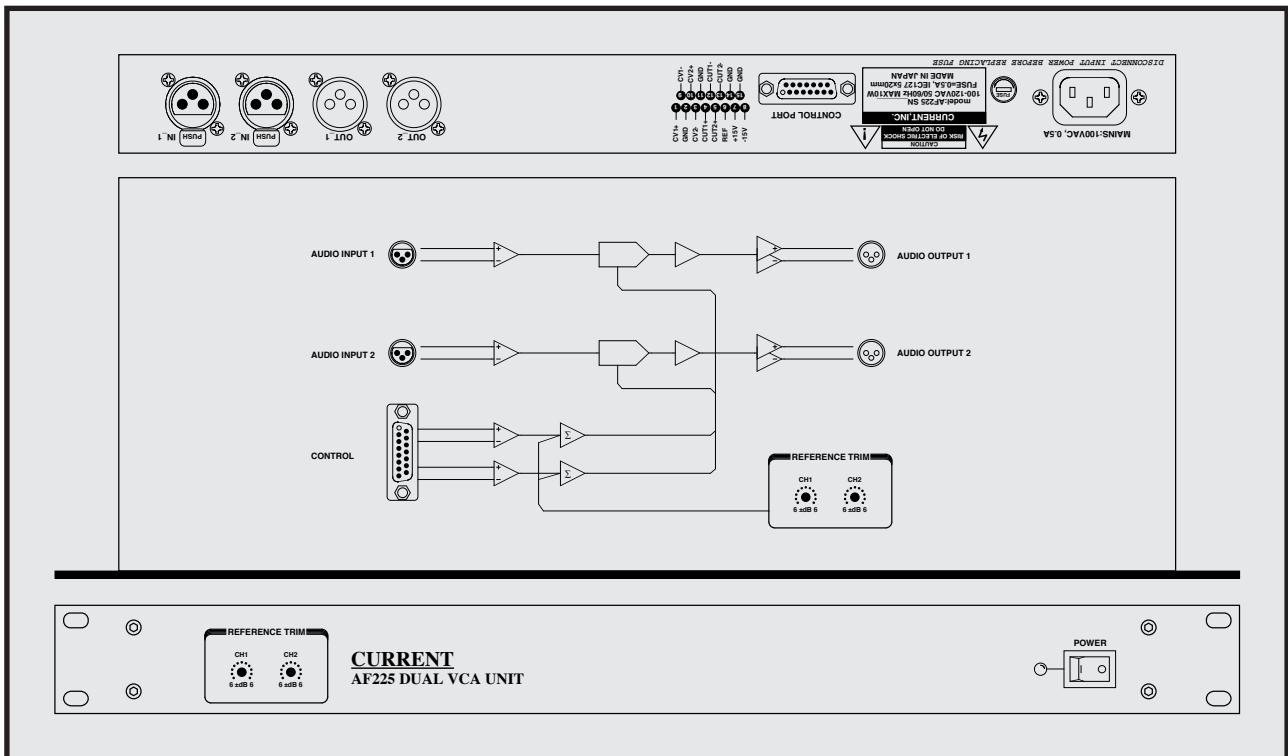


# CURRENT PRODUCTS model:AF225

## DUAL VCA UNIT



### Dual VCA unit

It is most suitable for couch interface  
 ± 6dB reference variable  
 Remote cut  
 High-quality sound  
 19 inches 1U size

### AF225 is dual VCA unit.

Remote control of audio level of high quality is possible  
 with excellent circuit configuration and component.

### "Input and output"

It is using general XLR type connector for input and output of AF225 and it is flexible and promises reliable connection. Standard input level is +4dBu, but can change it by specification of order regarding input and output reference level.

### "Reference"

It is output with 1 to 1 in factory, and the external control voltage can change reference level of (NULL level) on 0V in the range of ± 6dB.

### "Control"

CV (the control voltage) is difference input and it is stable and can use even long distances more than 20m. In addition, it has cut input isolated with photocoupler by every each channel.

### "Others"

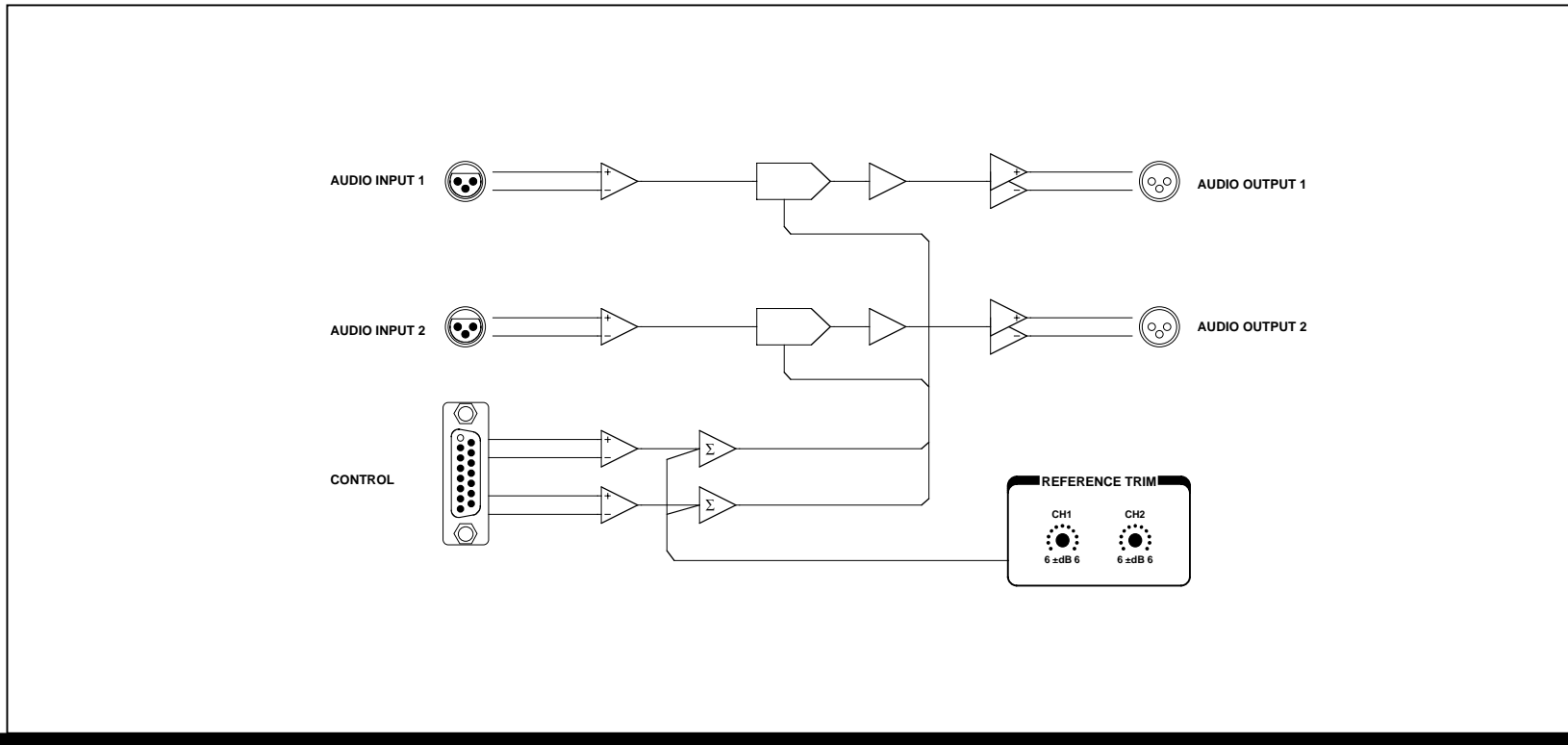
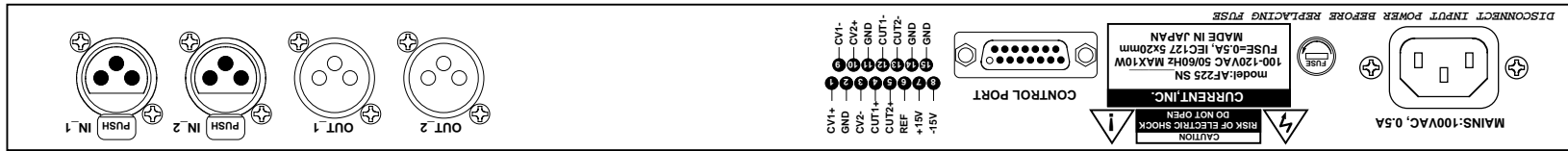
It can easily build remote audio level control system that AF225 combines it with FU338 of CV fader unit. In addition, please refer about manufacturing of VCA unit which is different from AF225 in specifications.



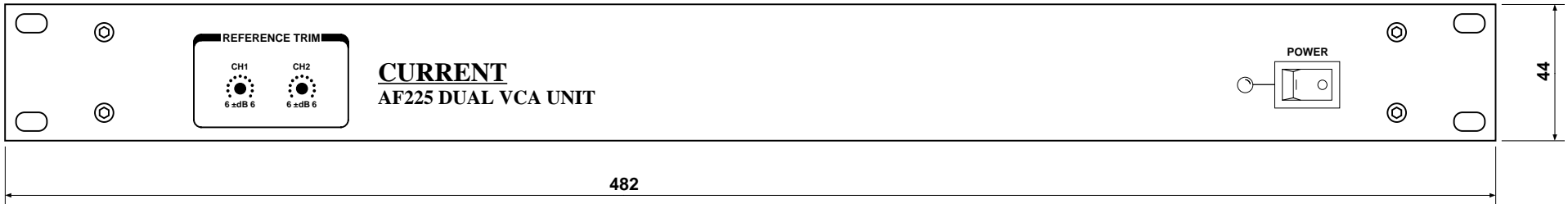
### SPECIFICATIONS

- 🍏 INPUTS: 2, BALANCED, 24kΩ
- 🍏 INPUTS CONNECTORS: XLR3-F
- 🍏 INPUTS REFERENCE LEVEL: +4dBu, MAX +24dBu
- 🍏 OUTPUTS: 2 BALANCED, 50Ω
- 🍏 OUTPUTS REFERENCE LEVEL: +4dBu, MAX +24dBu
- 🍏 OUTPUTS: XLR3-M
- 🍏 CONTROL: ±6dB REFERENCE LEVEL (FRONT PANEL)
- 🍏 CONTROL CONNECTOR: D15-F (#4-40)
- 🍏 FREQUENCY RESPONSE: 20Hz-20kHz ±0.1dB
- 🍏 THD: < 0.01% at 1kHz REFERENCE LEVEL
- 🍏 NOISE: < -90dB
- 🍏 MAINS: 100-120VAC 50/60Hz 10W(MAX)
- 🍏 DIMENSIONS: 482Wx44Hx303D 4kg

Dual VCA Unit	AF225	¥298,000
Fader Unit	FU338	¥198,000
accessory : AC cable		



302.6



482

44

(c)CURRENT,INC.	AF225 DUAL VCA UNIT	DEC.2000
H.ICHIHASHI	PANEL DIAGRAM	AF225-D

# AF225 "CONTROL" D15-F Connector Pin List

Ribbon	Hard	Signal name	Designation	Active
1	1	CV1+	CONTROL VOLTAGE INPUT 1+	0..+5V
2	9	CV1-	CONTROL VOLTAGE INPUT 1-	0..-5V
3	2	GND	GND	GND
4	10	CV2+	CONTROL VOLTAGE INPUT 2+	0..+5V
5	3	CV2-	CONTROL VOLTAGE INPUT 2-	0..-5V
6	11	GND	GND	GND
7	4	CUT-1+	CUT INPUT 1+	+5..+24V
8	12	CUT-1-	CUT INPUT 1-	
9	5	CUT-2+	CUT INPUT 2+	+5..+24V
10	13	CUT-2-	CUT INPUT 2-	
11	6	REF+5V	+5V REFERENCE OUTPUT MAX<5mA	+5V
12	14	GND	GND	GND
13	7	+15V	+15V SUPPLY MAX<100mA	+15V
14	15	GND	GND	GND
15	8	-15V	-15V SUPPLY MAX<100mA	-15V

注意！

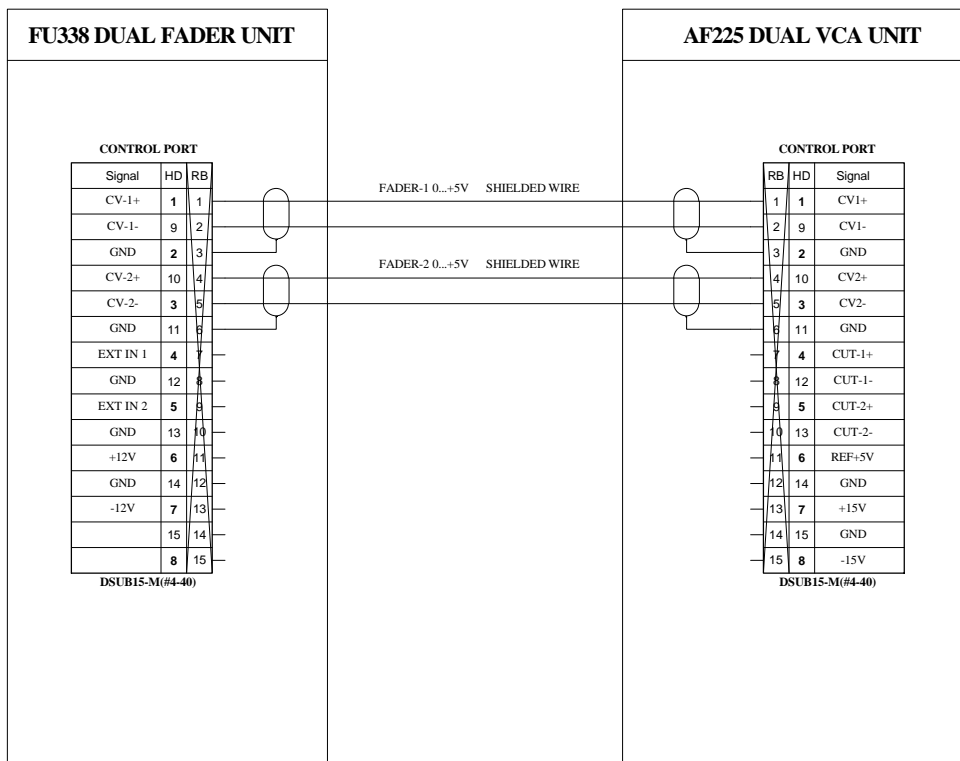
Dサブコネクタの接続はHardピン番号で接続してください。

取付ビスは# 4 - 40インチを使用して下さい。

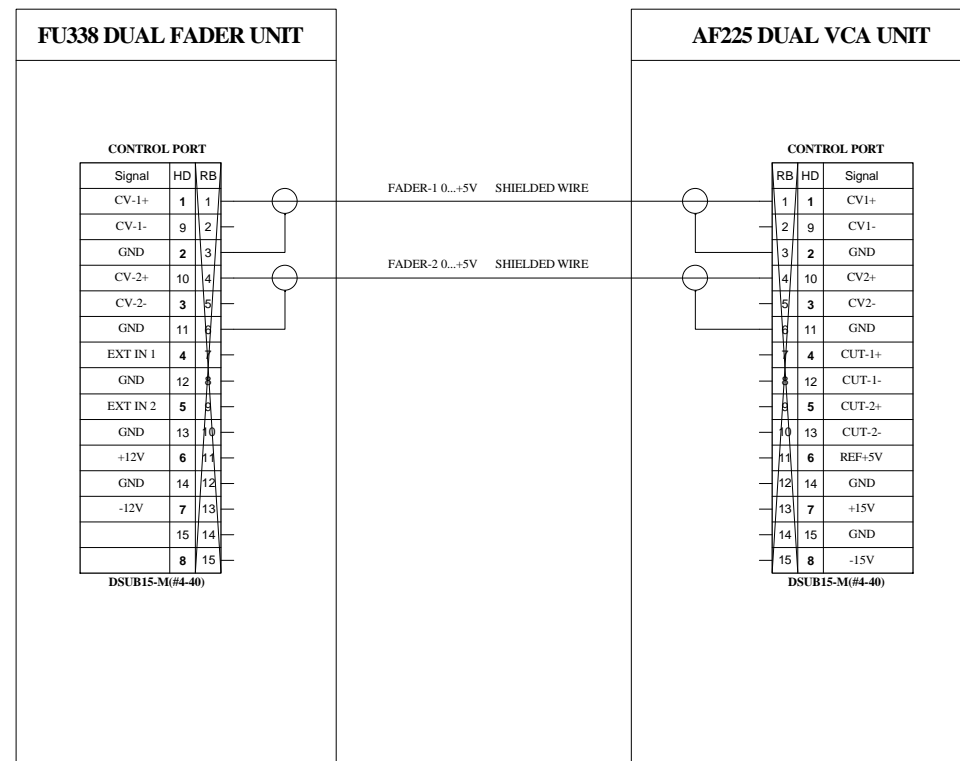
**CAUTION! D-Connector for wiring refer to Hard pin number Description.**

**Mounting screw for D-connector use #4-40 screw.**

## Balanced Wiring



## Unbalanced Wiring



## Connection Sample

CURRENT,INC.	FU338	DEC.2000
H.Ichihashi	APPLICATION for AF225	1 OF 1