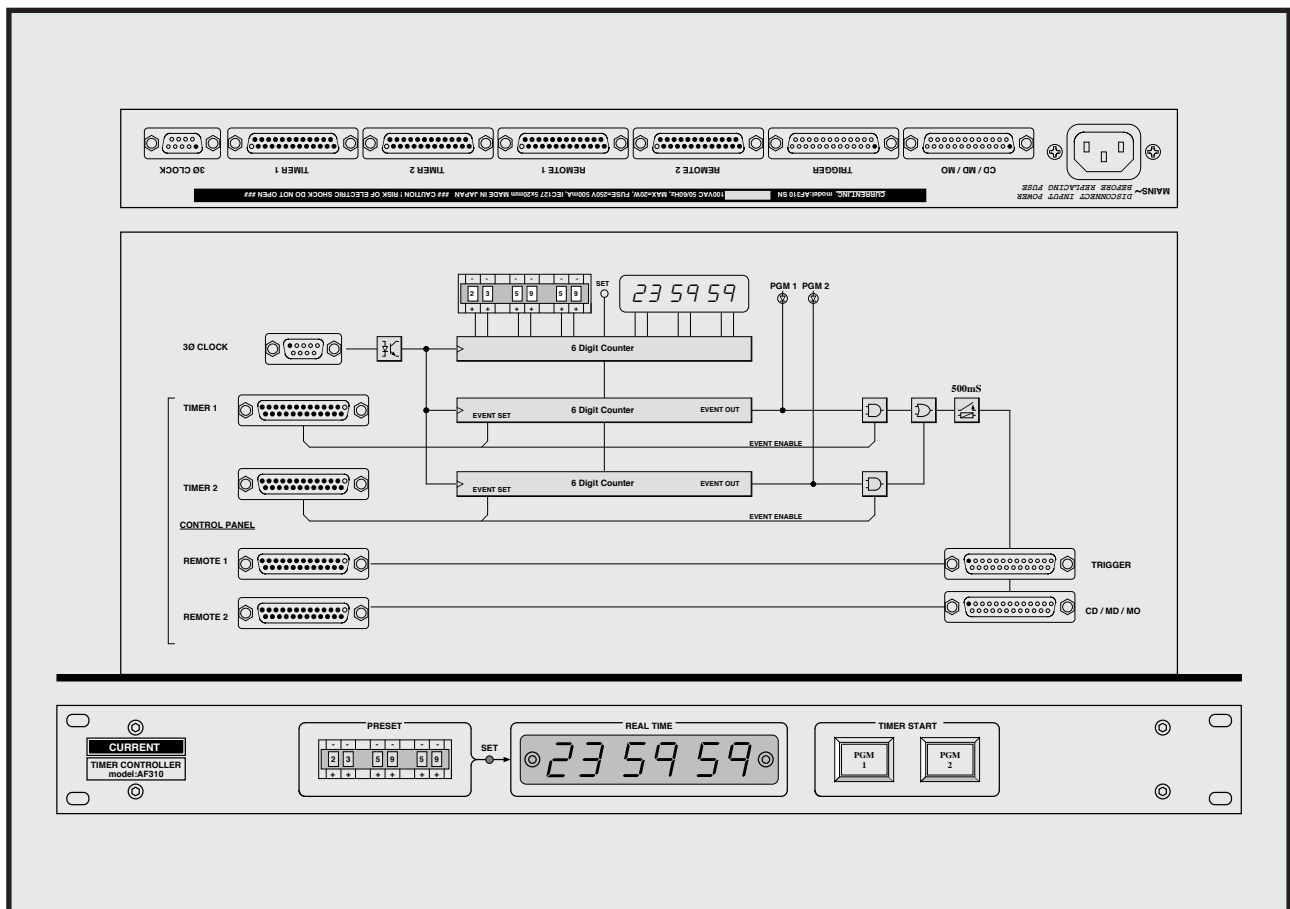


CURRENT PRODUCTS model:AF310 TIMER CONTROLLER



Three-phase clock synchronous clock
Dual event control
Remote control panel
The event output for 7 equipment
19 inches 1U size

AF310 is the timer controller which had an event timer of the dual built-in in a three-phase clock synchronous clock. 7 equipment can output an event command. It also can easily add it to an existing system because it can install it in a way to break into the existing remote cable.

"Time setting"

It sets current time with a time setting switch of the front panel. It counts the time by a three-phase clock input into '3Ø CLOCK' connectors and does not work when there is not an input signal. In addition, the clock works in the 1Hz pulse of the single phase.

"Event setting"

It does setting of the event time and the selection of the equipment which it wants to execute with the remote panel which it connected to a connector of the rear panel.

"Remote"

It is not necessary to change an existing system if it connects the cable via AF310 because it can break in by a command when the remote controllers such as CD have been already installed.

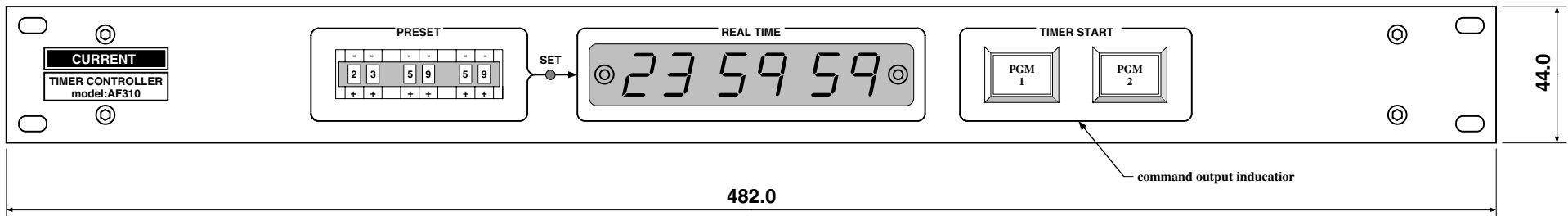
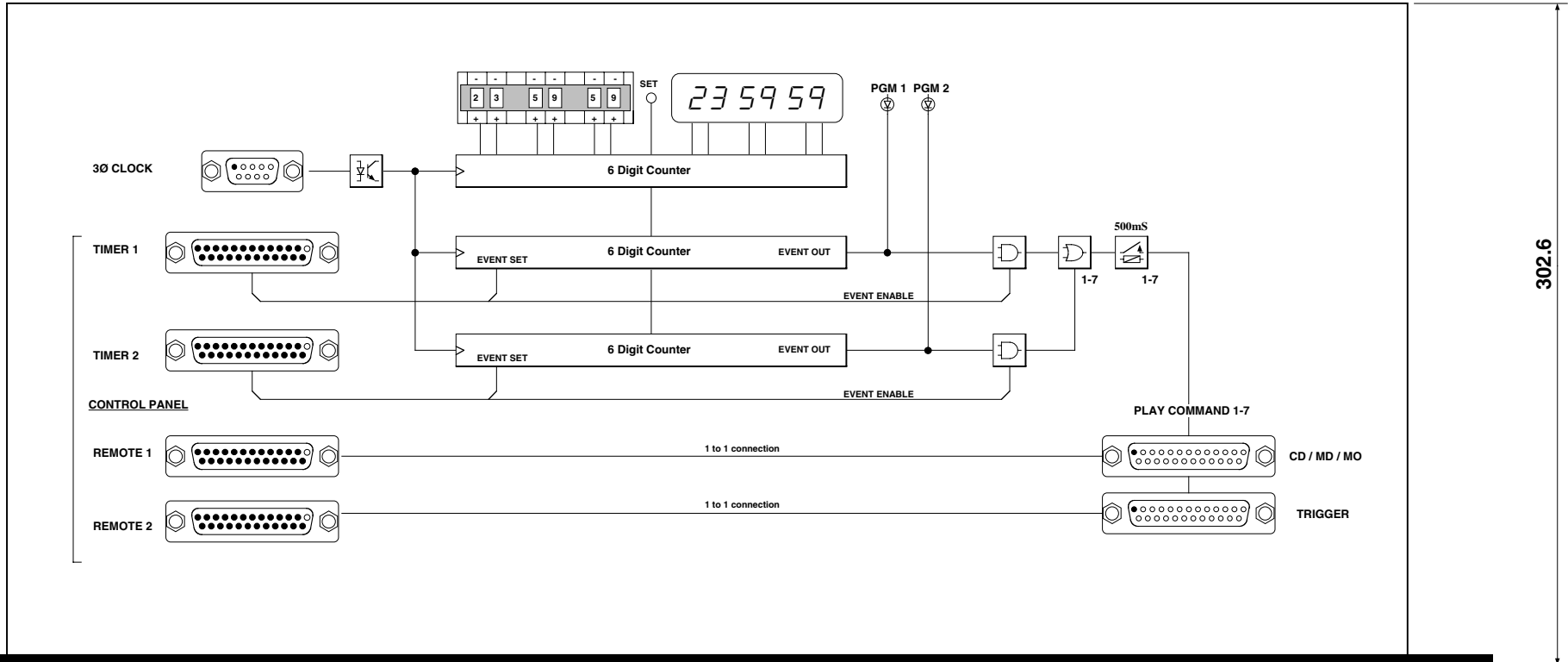
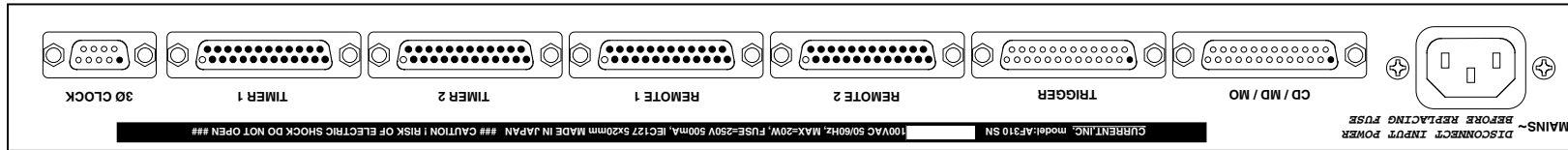
"Others"

Please refer about a remote panel, a remote box and the connection cable.

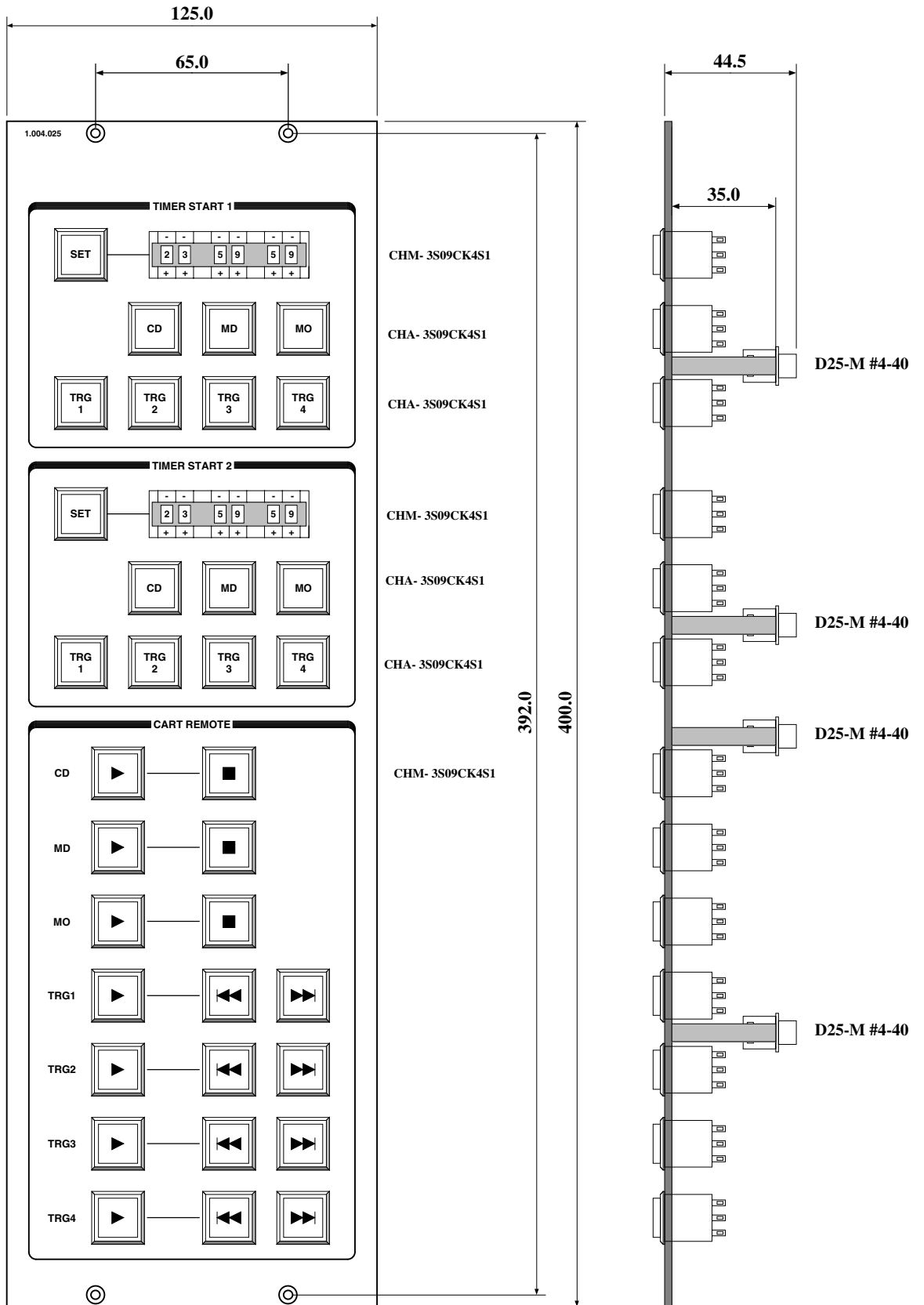
SPECIFICATIONS

- 🍏 **3Ø CLOCK INPUTS:** Dsub9-M #4-40
- 🍏 **TIMER 1/2:** Dsub25-F #4-40
- 🍏 **REMOTE in 1/2:** Dsub25-F #4-40
- 🍏 **REMOTE out 1/2:** Dsub25-M #4-40 (TRIGGER/CD, MD, MO)
- 🍏 **REMOTE:** Dsub9-F #4-40
- 🍏 **MAINS:** 100VAC 50/60Hz, MAX 10W
- 🍏 **DIMENSIONS:** 482Wx44Hx300D 4kg

Order number: AF310 ¥480,000
 accessory : AC cable



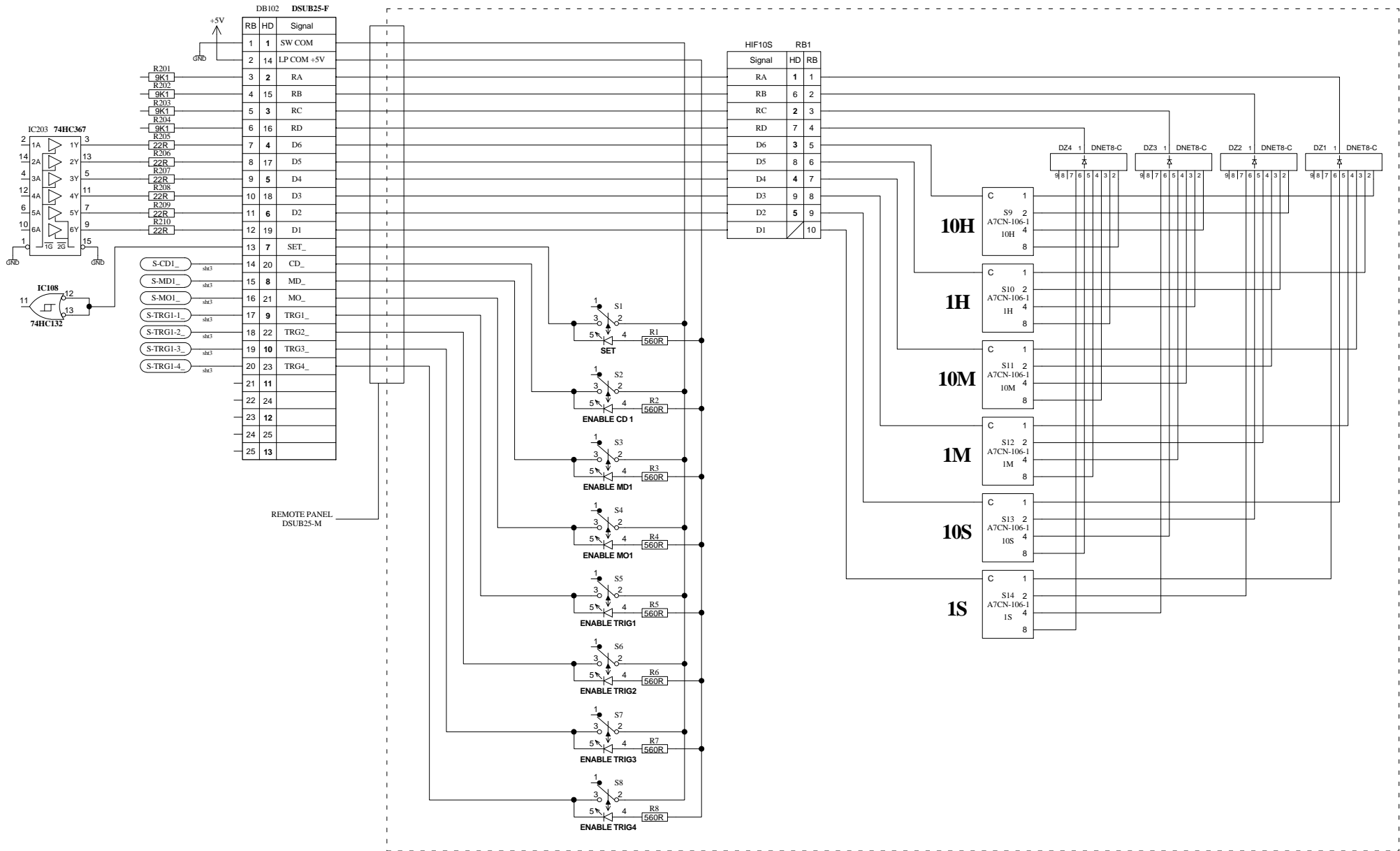
(c)CURRENT,INC.	AF310 TIMER CONTROLLER	Sep.2016
H.ICHIHASHI	PANEL DIAGRAM	AF310-D2016



Cap:Clear
Filter:White
Lamp:YEL

リモートパネル例

AF310 TIMER 1/2 PORT



AF310 Connector Pin List

AF310 "3 ϕ CLOCK" Dsub9-M(#4-40)

Ribbon	Hard	Signal name	Designation	Active
1	1	GND	GND (optional use)	GND
2	6			
3	2	Phase-A	Phase-A	24V
4	7			
5	3	Phase-B	Phase-B	24V
6	8			
7	4	Phase-C	Phase-C	24V
8	9			
9	5			

CAUTION! D-Connector for wiring refer to Hard pin number Description. Mounting screw for D-connector use #4-40 size.

注意！ Dサブコネクタの接続はHardピン番号で接続してください。取付ビスは#4-40インチビスです。

AF310 Connector Pin List

AF310 "Remote 1" "CD/MD/MO" Dsub25-F/M(#4-40)

Ribbon	Hard	Signal name	Designation	Active
1	1	CD SW COM	CD SW COM	0V
2	14	CD LP COM	CD LP COM (tally common from machine)	+5V
3	2	CD PLAY SW	CD PLAY SW	Lo
4	15	CD PLAY LP	CD PLAY LP (tally from machine)	Lo
5	3	CD STOP SW	CD STOP SW	Lo
6	16	CD STOP LP	CD STOP LP (tally from machine)	Lo
7	4	MD SW COM	MD SW COM	0V
8	17	MD LP COM	MD LP COM	+5V
9	5	MD PLAY SW	MD PLAY SW	Lo
10	18	MD PLAY LP	MD PLAY LP (tally from machine)	Lo
11	6	MD STOP SW	MD STOP SW	Lo
12	19	MD STOP LP	MD STOP LP (tally from machine)	Lo
13	7	MO SW COM	MO SW COM	0V
14	20	MO LP COM	MO LP COM	+5V
15	8	MO PLAY SW	MO PLAY SW	Lo
16	21	MO PLAY LP	MO PLAY LP (tally from machine)	Lo
17	9	MO STOP SW	MO STOP SW	Lo
18	22	MO STOP LP	MO STOP LP (tally from machine)	Lo
19	10			
20	23			
21	11			
22	24			
23	12			
24	25			
25	13			
<p>CAUTION! D-Connector for wiring refer to Hard pin number Description. Mounting screw for D-connector use #4-40 size.</p> <p>注意！ Dサブコネクタの接続はHardピン番号で接続してください。取付ビスは#4-40インチビスです。</p>				

AF310 Connector Pin List

AF310 "Remote 2" "Trigger"Dsub25-F/M(#4-40)

Ribbon	Hard	Signal name	Designation	Active
1	1	SW COM	SW COM	0V
2	14	LP COM	LP COM	+5V
3	2	PLAY SW1	"Trigger" PLAY SW 1	Lo
4	15	PLAY LP 1	"Trigger" PLAY LP 1	Lo
5	3	REW SW 1	"Trigger" REW SW 1	Lo
6	16	FWD SW 1	"Trigger" FWD SW 1	Lo
7	4	PLAY SW 2	"Trigger" PLAY SW 2	Lo
8	17	PLAY LP 2	"Trigger" PLAY LP 2	Lo
9	5	REW SW 2	"Trigger" REW SW 2	Lo
10	18	FWD SW 2	"Trigger" FWD SW 2	Lo
11	6	PLAY SW 3	"Trigger" PLAY SW 3	Lo
12	19	PLAY LP 3	"Trigger" PLAY LP 3	Lo
13	7	REW SW 3	"Trigger" REW SW 3	Lo
14	20	FWD SW 3	"Trigger" FWD SW 3	Lo
15	8	PLAY SW 4	"Trigger" PLAY SW 4	Lo
16	21	PLAY LP 4	"Trigger" PLAY LP 4	Lo
17	9	REW SW 4	"Trigger" REW SW 4	Lo
18	22	FWD SW 4	"Trigger" FWD SW 4	Lo
19	10			
20	23			
21	11			
22	24			
23	12			
24	25			
25	13			

CAUTION! D-Connector for wiring refer to Hard pin number Description. Mounting screw for D-connector use #4-40 size.

注意！ Dサブコネクタの接続はHardピン番号で接続してください。取付ビスは#4-40インチビスです。