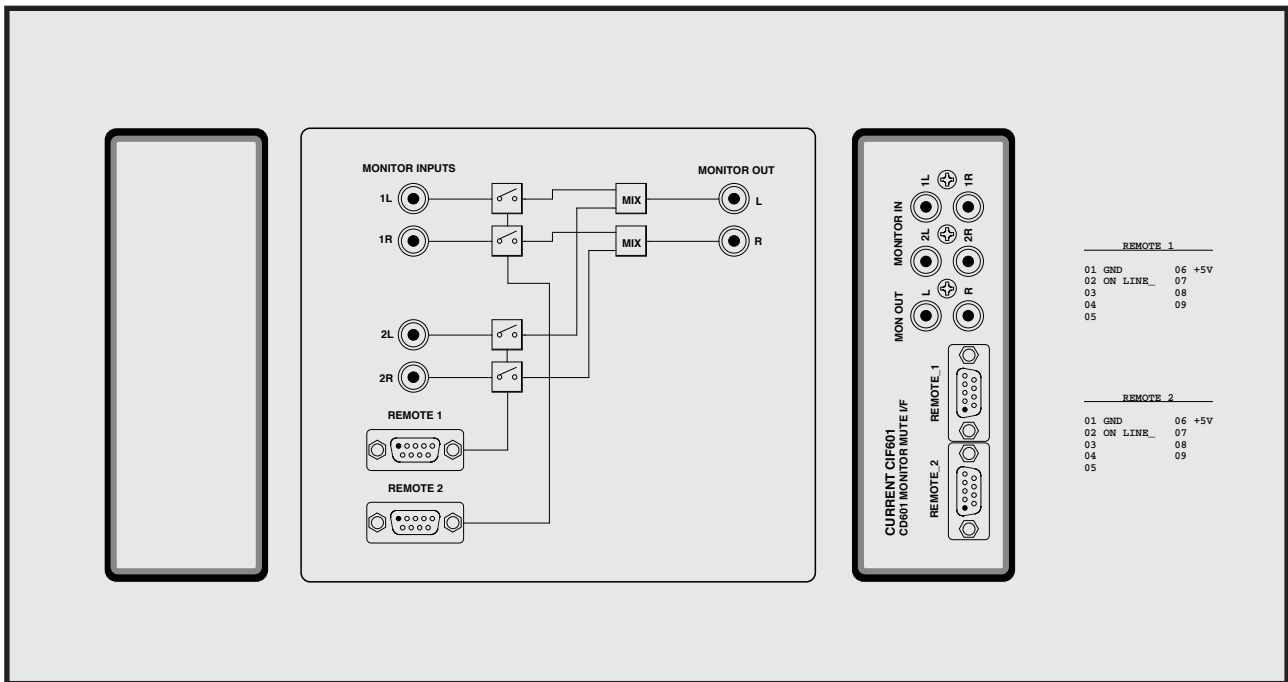


CURRENT PRODUCTS model: CIF601

CD601 AUTO MONITOR



TEAC Corporation CD601 support

Connectable two CD601

It is monitor output automatic mute on online

Easy installation

Compact

Power supply unnecessary

CIF601 is interface to add the function that mute makes with a monitor automatically when it becomes the online to CD Player CD601 made by TEAC.

CD601 of "2 connection"

It can connect 2 CD Players to CIF601 and the audio mixes it and is output.

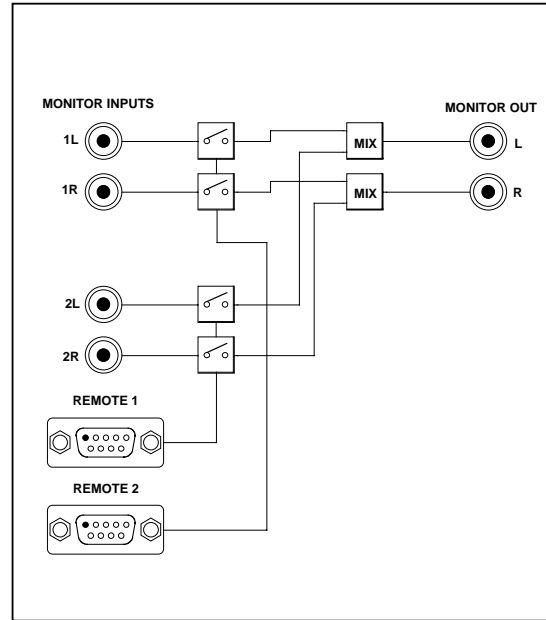
"Others"

It is connectable and the MP601 of the higher model provides for the function such as a headphone monitor or the tarry display with 8 equipment.

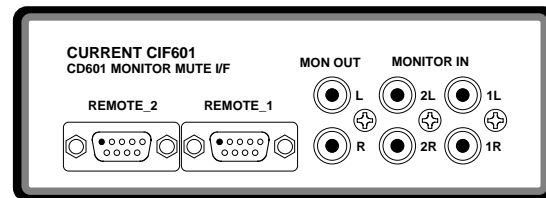
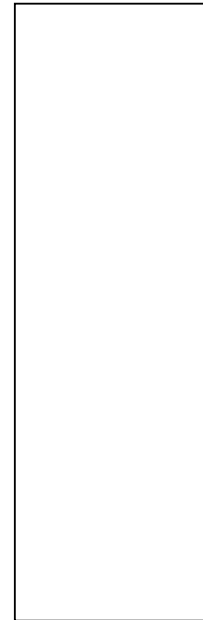
SPECIFICATIONS

- 🍏 INPUTS CONNECTOR: RCA
- 🍏 INPUTS REFERENCE LEVEL: 0dBu, MAX +24dBu
- 🍏 OUTPUTS CONNECTOR: RCA
- 🍏 OUTPUTS REFERENCE LEVEL: 0dBu, MAX +24dBu
- 🍏 FREQUENCY RESPONSE: 20Hz-20kHz ±0.1dB
- 🍏 THD: < 0.01% at 1kHz REFERENCE LEVEL
- 🍏 CONTROL: Dsub9-M(#4-40)
- 🍏 MAINS: 100VAC 50/60Hz 10W(MAX)
- 🍏 DIMENSIONS: 150Wx54Hx170D 0.5kg

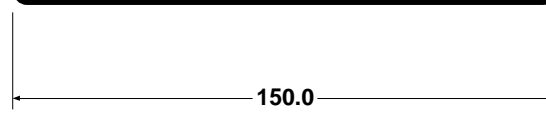
Auto monitor	CIF601	¥60,000
CD601 cable 5m		¥20,000
CD601 cable 10m		¥24,000
accessory : None		



170.0



54.0



150.0

(c)CURRENT,INC.	AUTO MONITOR CIF601	Dec.2006
H.ICHIHASHI	PANEL DIAGRAM	CIF601-D

CIF601 Connector Pin List

"REMOTE-1" D9-M(#4-40) Connector

Ribbon	Hard	Signal name	Designation	Active
1	1	GND	UNUSED	
2	6	+5V	+5V	+5V
3	2	ON LINE_	ON LINE COMMAND	0V
4	7	READY_	UNUSED	
5	3	STOP_	UNUSED	
6	8	EV STOP	UNUSED	
7	4	LINK STOP_	UNUSED	
8	9	FAD S/S	UNUSED	
9	5	LK/EX START	UNUSED	

"REMOTE-2" D9-M(#4-40) Connector

Ribbon	Hard	Signal name	Designation	Active
1	1	GND	UNUSED	
2	6	+5V	+5V	+5V
3	2	ON LINE_	ON LINE COMMAND	0V
4	7	READY_	UNUSED	
5	3	STOP_	UNUSED	
6	8	EV STOP	UNUSED	
7	4	LINK STOP_	UNUSED	
8	9	FAD S/S	UNUSED	
9	5	LK/EX START	UNUSED	

注意！

Dサブコネクタの接続はHardピン番号で接続してください。

取付ビスは#4-40インチスを使用して下さい。

CAUTION! D-Connector for wiring refer to Hard pin number Description.

Mounting screw for D-connector use #4-40 screw.