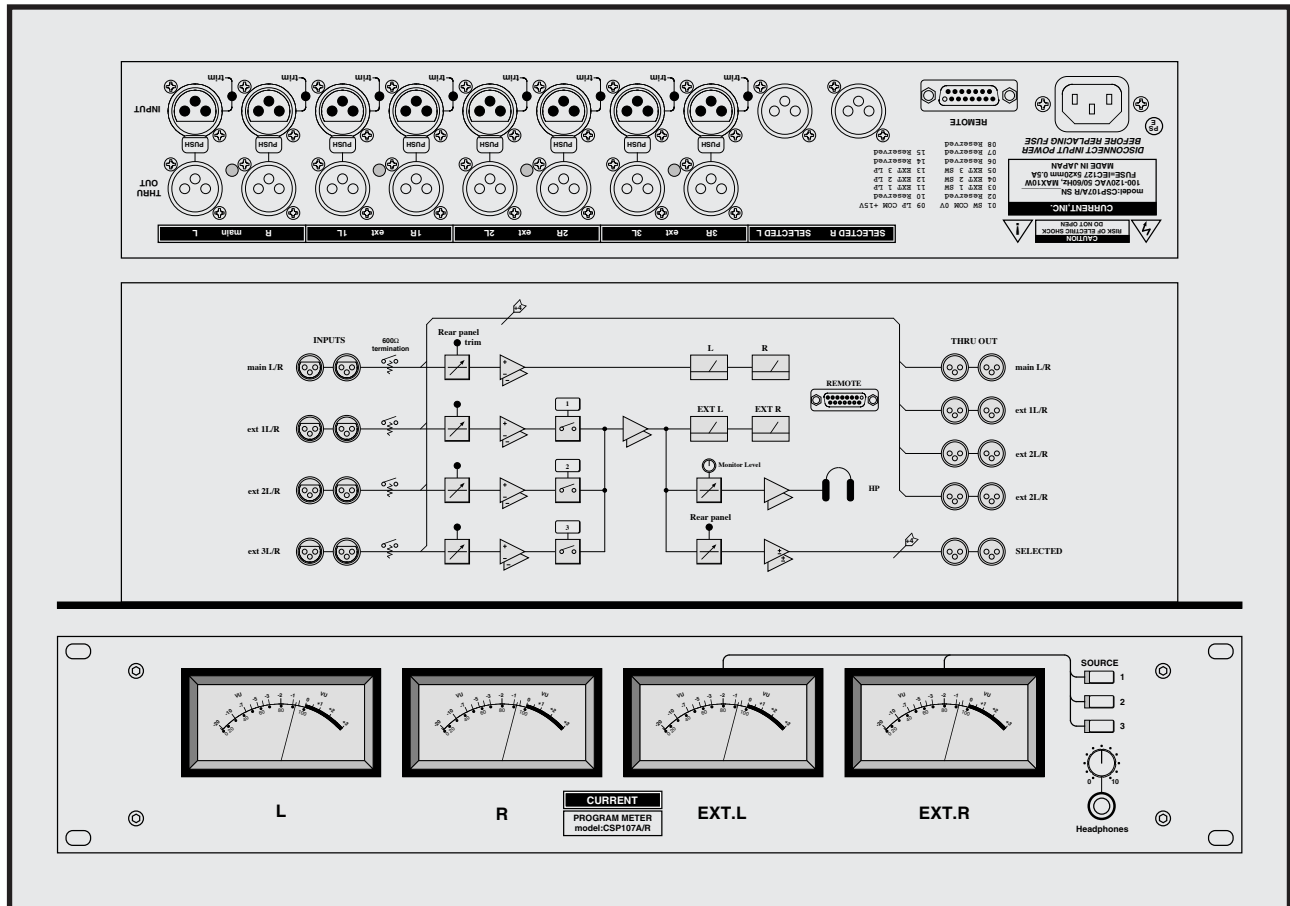


CURRENT PRODUCTS model:CSP107A/R PROGRAM METER



- 4 stereo input
- Selected output
- Precision VU meter unit
- Remote possible
- Individual trim
- HP monitor
- 19 inches 2U size

CSP107A is a VU meter unit of 4 stereo channel. It provides by main program meter and the EXT meter which it can switch. It implements sifam made to a VU meter unit, and, as for this component, the adoption results with the large size console are a lot of and highly precise. In addition, the maintenance-free LED light is mounted on each meter.

"Audio input and output"

Audio input of CSP107A is balance type XLR type connector, and the reference level is +4dBu. Because it is connected direct, the through output can use which as input. In addition, in selected out, the signal that EXT1 3 which it chose was buffered is output.

"Reference level"

The reference level of the VU meter is a trim located beside each input connector of the rear panel, and adjustment is possible to -2dBu to +10dBu. Because every each input can set it, it changes different reference level equipment and can indicate it.

"Monitor"

It can monitor source choosing by EXT meter of the front panel with stereo headphone.

"Remote"

It is possible for external control to switch of the front panel via a remote connector of the rear panel. It can turn off EXT meter in this port.

REMOTE DSUB15-F

01 SW COM	09 LP COM +15V
02 OFF SW	10 OFF LP
03 EXT-1 SW	11 EXT-1 LP
04 EXT-2 SW	12 EXT-2 LP
05 EXT-3 SW	13 EXT-3 LP
06	14
07	15
08	

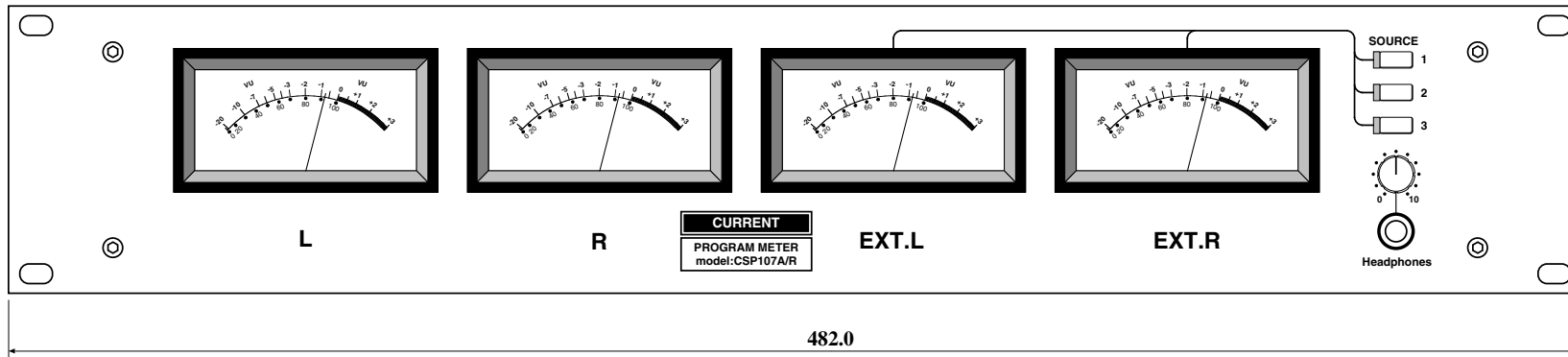
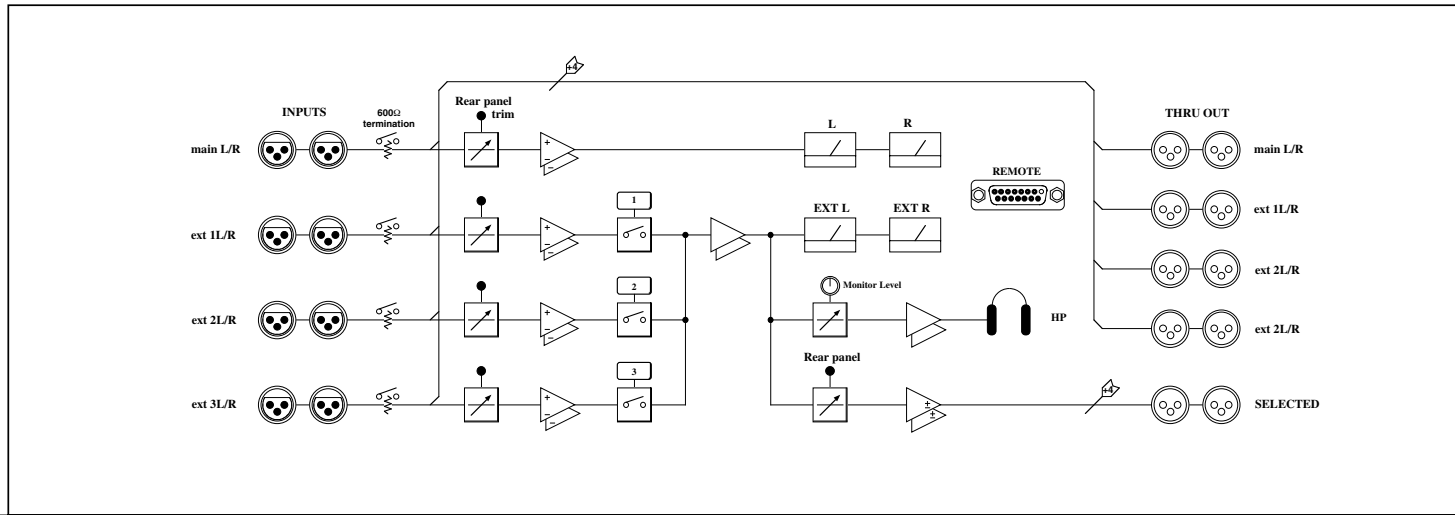
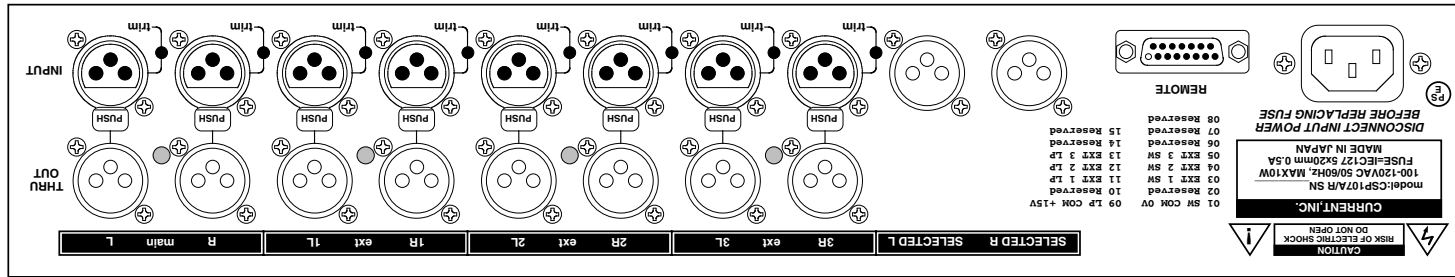
SPECIFICATIONS

- INPUTS: 1-4, 20kΩ / 600Ω, REF=+4dBu, MAX=+24dBu
- INPUT CONNECTOR: XLR3-F
- SELECTED OUTPUT CONNECTOR: XLR3-M
- REFERENCE: +4dBu TRIM: -2dBu~+10dBu
- FREQUENCY RESPONSE: 20Hz~20kHz ±0.5dB
- METERS: SIFAM R22AF/AL29WF Internal LED Lamp
- REMOTE CONNECTOR: D15-F (#4-40)
- MAINS: 100VAC 50/60Hz MAX=6W
- DIMENSIONS: 482W(CSP107A=438)x88Hx153D, 5kg

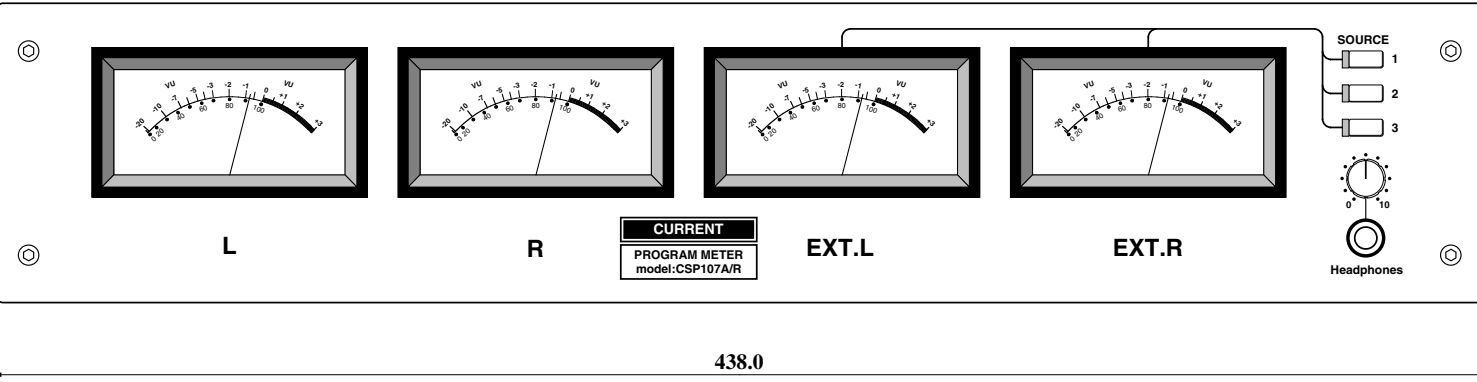
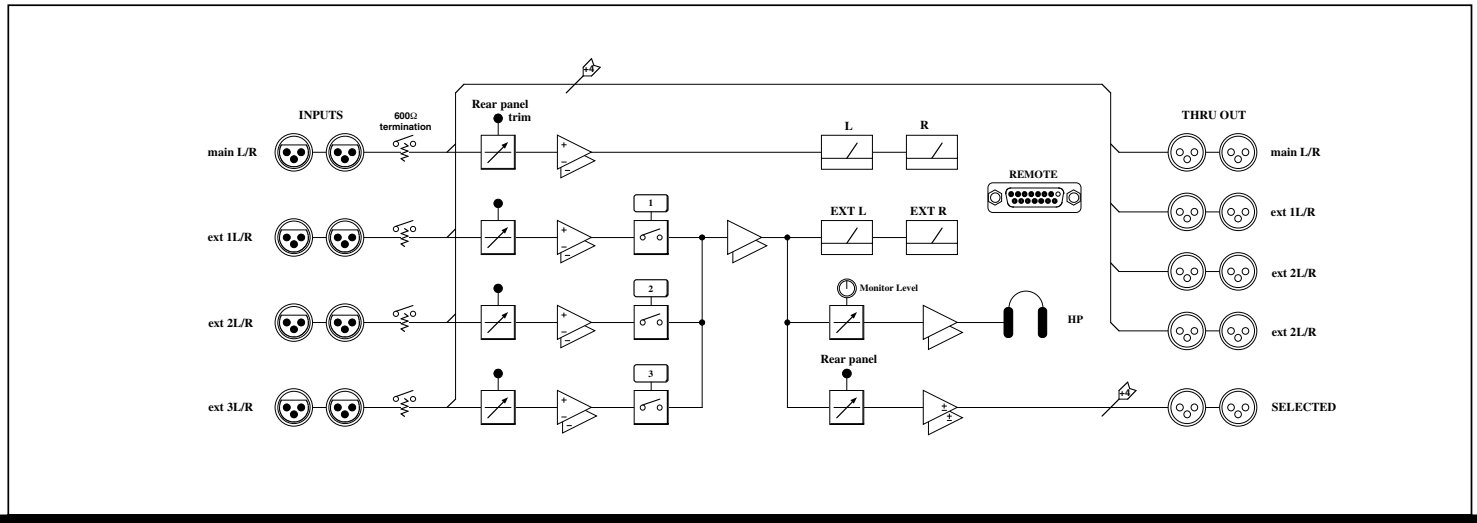
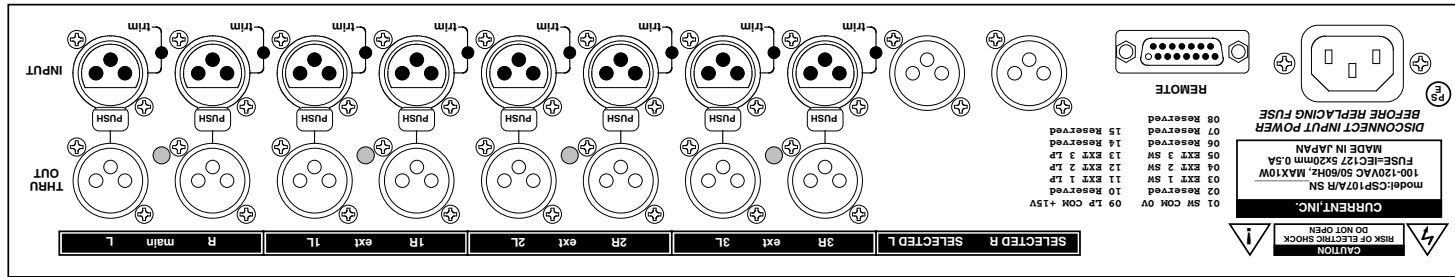
Rack mount	CSP107AR	¥480,000
No mount angle	CSP107A	¥480,000
Custom silk print		¥64,000
accessory : AC cable		

The specifications are subject to change without notice.
2-26-11 AKATSUTSUMI, SETAGAYA-KU, TOKYO, 156-0044 JAPAN

MONITOR SYSTEM HEADPHONES AMP CUE SYSTEM COMMUNICATION TB. COUGH SYSTEM MATRIX AMP AUDIO ROUTER SWITCHER SYSTEM SWITCHER EMERGENCY AUDIO VIDEO DISTRIBUTOR METER SYSTEM ANALOG, DIGITAL PREAMP MIXER LEVEL UNIT DIGITAL AUDIO FADER UNIT AUTO FADER TALLY FADER CLOCK TIMER EVENT SYSTEM SPECIAL PRODUCTS ETC.



(c)CURRENT,INC.	PROGRAM METER CSP107AR	Jun.2008
H.ICHIHASHI	PANEL DIAGRAM	CSP107AR-D2008



(c)CURRENT,INC.	PROGRAM METER CSP107R	Jun.2008
H.ICHIHASHI	PANEL DIAGRAM	CSP107A-D2008

CSP107A "REMOTE" Dsub15-F(#4-40)

Ribbon	Hard	Signal name	Designation	Active
1	1	SW COM	SWITCHES COMMON	Lo
2	9	LP COM +15V	LAMPS COMMON	Lo
3	2	OFF SW	OFF SWITCH	Lo
4	10	OFF LP	OFF LAMP	Lo
5	3	EXT-1 SW	EXT1 SWITCH	Lo
6	11	EXT-1 LP	EXT1 LAMP	Lo
7	4	EXT-2 SW	EXT2 SWITCH	Lo
8	12	EXT-2 LP	EXT2 LAMP	Lo
9	5	EXT-3 SW	EXT3 SWITCH	Lo
10	13	EXT-3 LP	EXT3 LAMP	Lo
11	6			
12	14			
13	7			
14	15			
15	8			

注意！ Dサブコネクタの接続はHardピン番号で接続してください。取付ビスは#4-40インチビスです。

CAUTION! D-Connector for wiring refer to Hard pin number Description. Mounting screw for D-connector use #4-40 size.