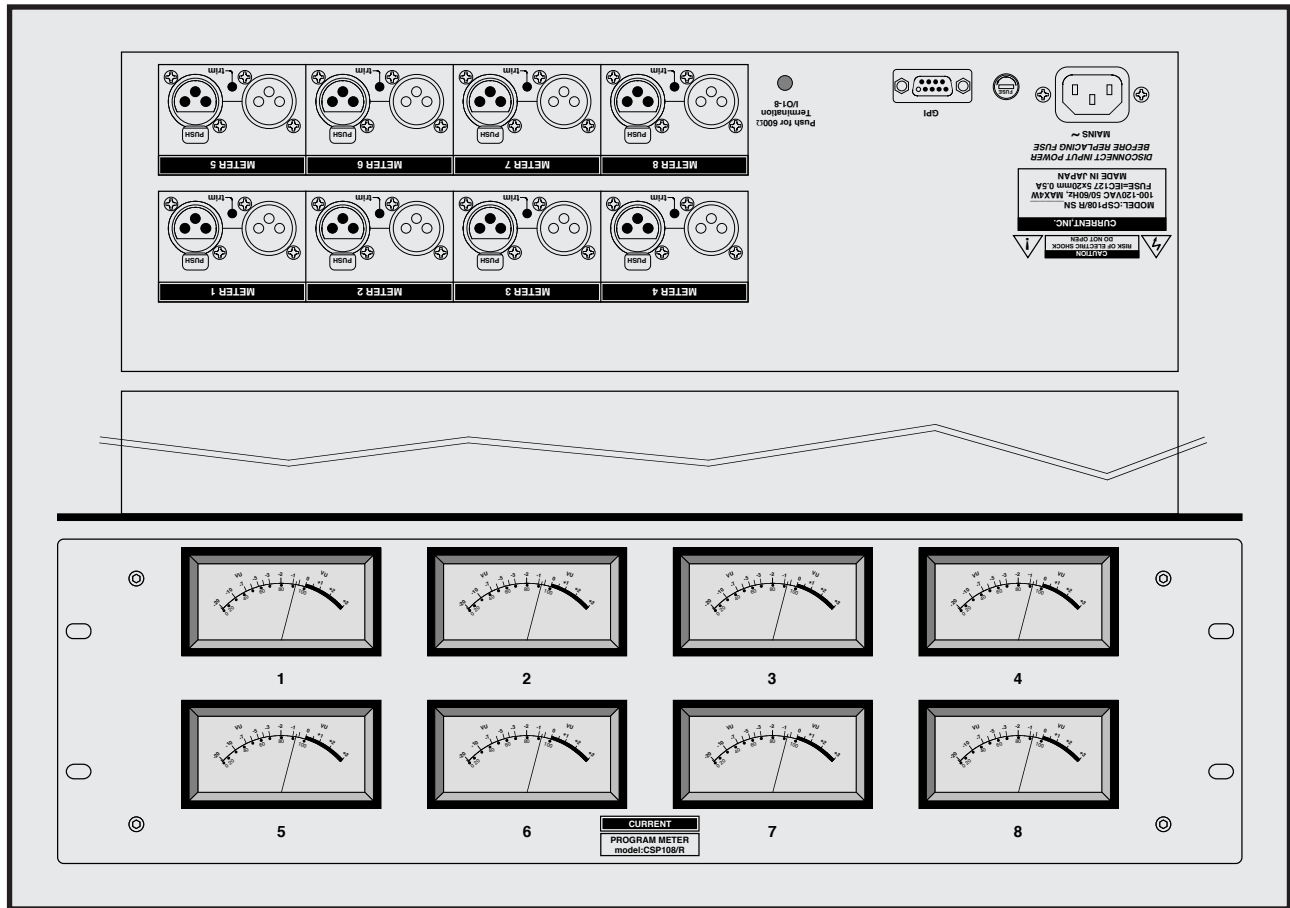


CURRENT PRODUCTS model:CSP108/R

PROGRAM METER



8ch VU meter

Highest grade large size meter unit

Balance XLR input, the through output

-20dBu to +20dBu trim

600 Ω line support

Maintenance-free illumination

19 inches 3U size

CSP108/R is a program meter of 8ch specifications. It implements sifam made to a VU meter unit, and, as for this component, the adoption results with the large size console are a lot of and highly precise. Moreover, it is beautiful and maintenance-free bulb-colored LED is mounted for the illumination of each meter.

"Audio input and output"

Audio input of CSP108/R and the through output are balanced XLR type connectors. In addition, the 600 Ω termination switch is located in rear panel, too.

"Trim"

The reference level of the VU meter is a trim located beside each input connector of the rear panel, and adjustment is possible to -20dBu to +20dBu. In addition, the standard reference level is 0VU=+4dBu.

"Others"

It is possible for a reference level and the panel name to customize, and, in that case, plate-making charges are necessary separately. Please spec-

ify CSP108 of the desktop or rack mount-type CSP108R at the time of an order.



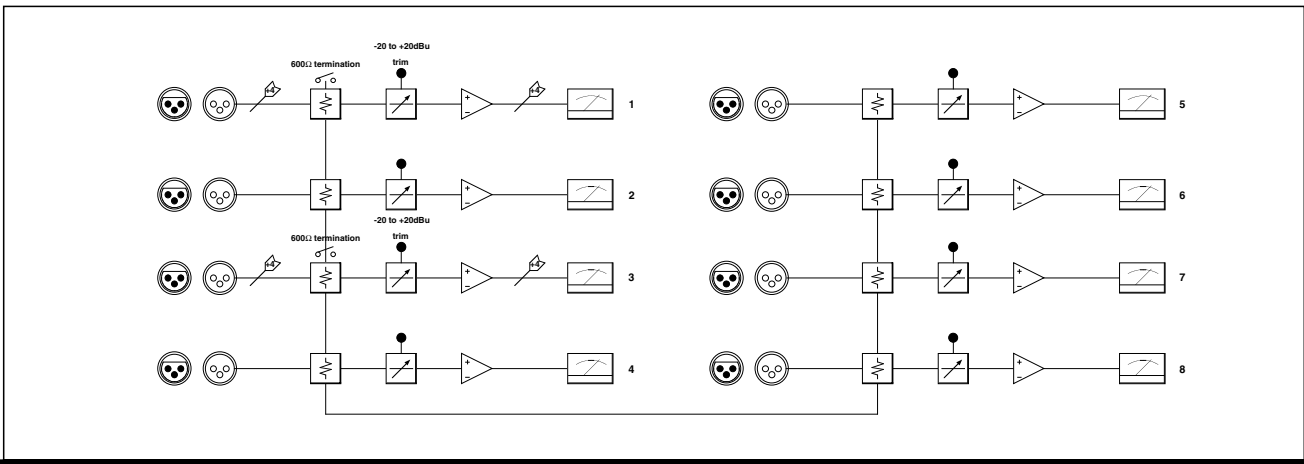
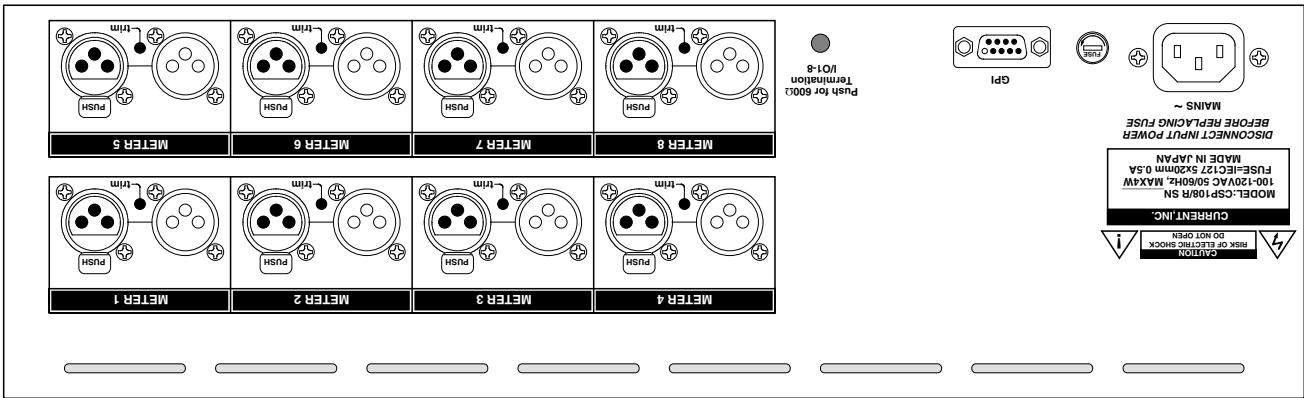
SPECIFICATIONS

- 🍏 **INPUTS:** 20kΩ/600Ω, REF=+4dBu, MAX=+24dBu
- 🍏 **INPUT CONNECTOR:** XLR3-F
- 🍏 **THRU OUTPUT CONNECTOR:** XLR3-M
- 🍏 **TRIM:** -20dBu~+20dBu
- 🍏 **FREQUENCY RESPONSE:** 20Hz~20kHz +/-0.5dB
- 🍏 **METERS:** SIFAM R22AF/AL29WF Internal LED Lamp
- 🍏 **MAINS:** 100-120VAC 50/60Hz MAX=10W
- 🍏 **CSP108R DIMENSIONS:** 482Wx132Hx153D, 5kg
- 🍏 **CSP108 DIMENSIONS:** 438Wx132Hx153D, 5kg

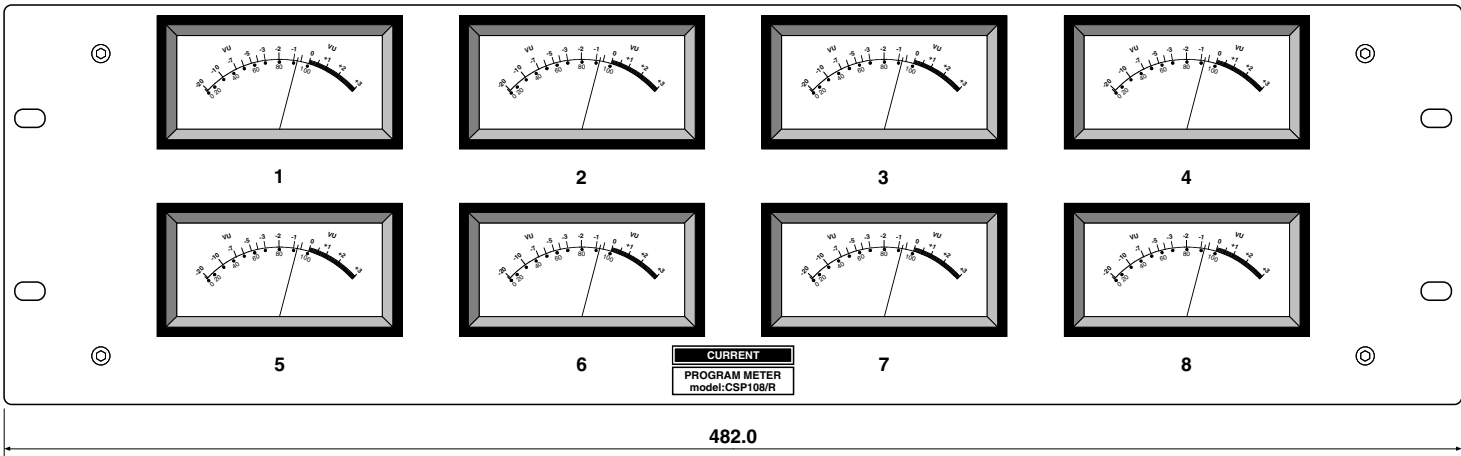
Rack mount	CSP108R	¥480,000
No mount angle	CSP108	¥480,000
Custom silk print		¥64,000

accessory : AC cable

The specifications are subject to change without notice.
2-26-11 AKATSUTSUMI, SETAGAYA-KU, TOKYO, 156-0044 JAPAN



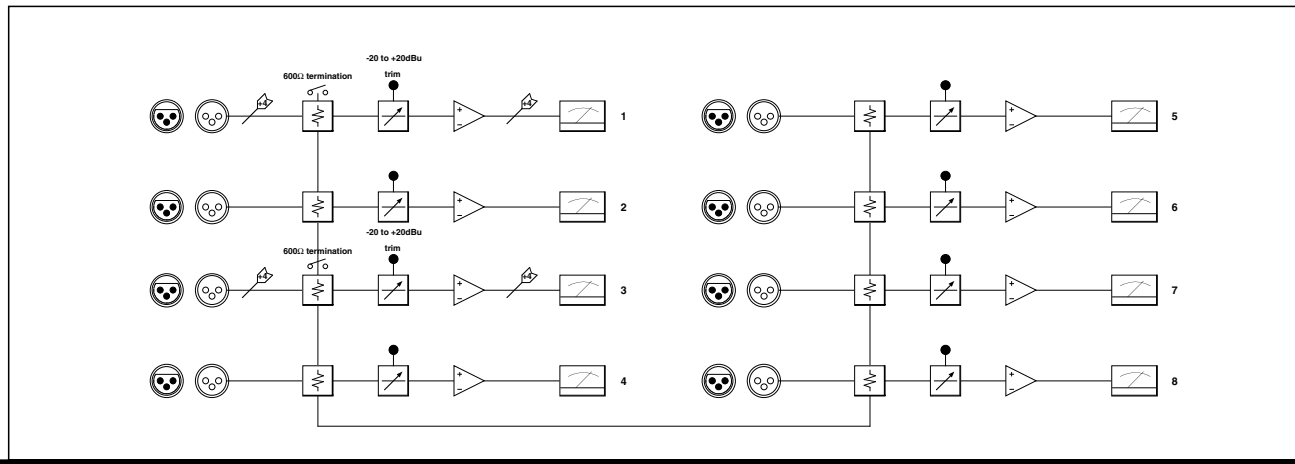
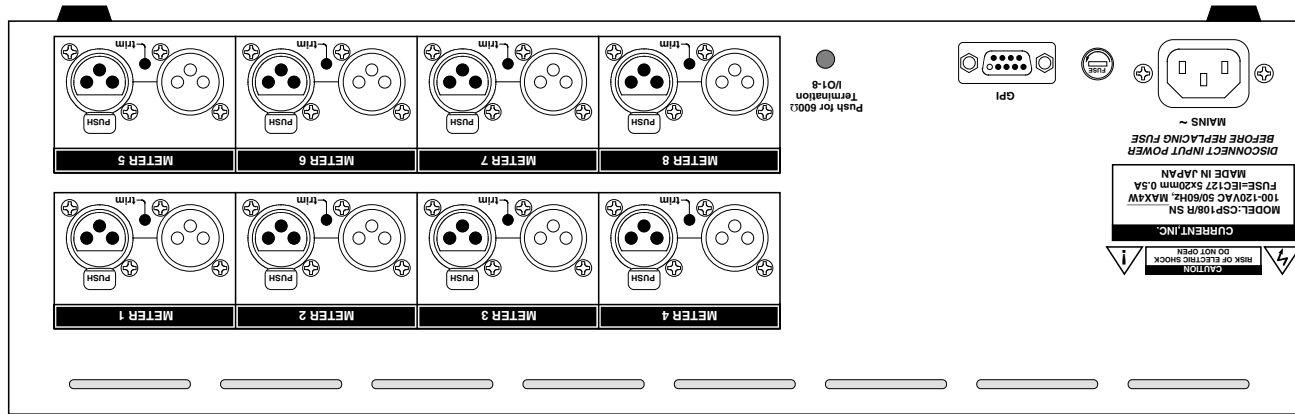
152.6



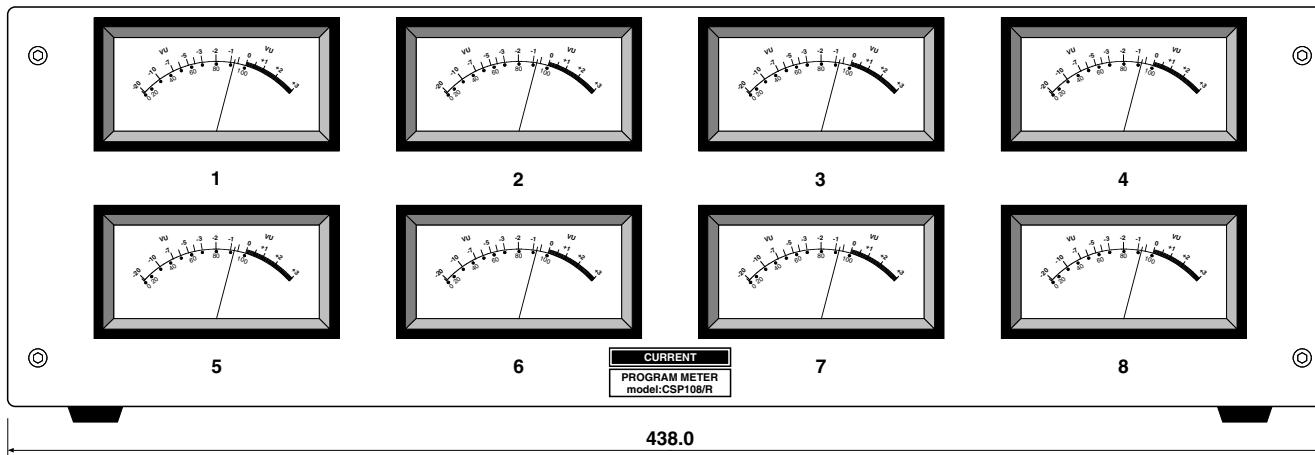
482.0

132.0

(c)CURRENT,INC.	PROGRAM METER CSP108R	Nov.2010
H.ICHIHASHI	PANEL DIAGRAM	Jan.2005
		CSP108R-D



152.6



132.0

©CURRENT,INC.	PROGRAM METER CSP108	Jan.2005
H.ICHIHASHI	PANEL DIAGRAM	CSP108-D