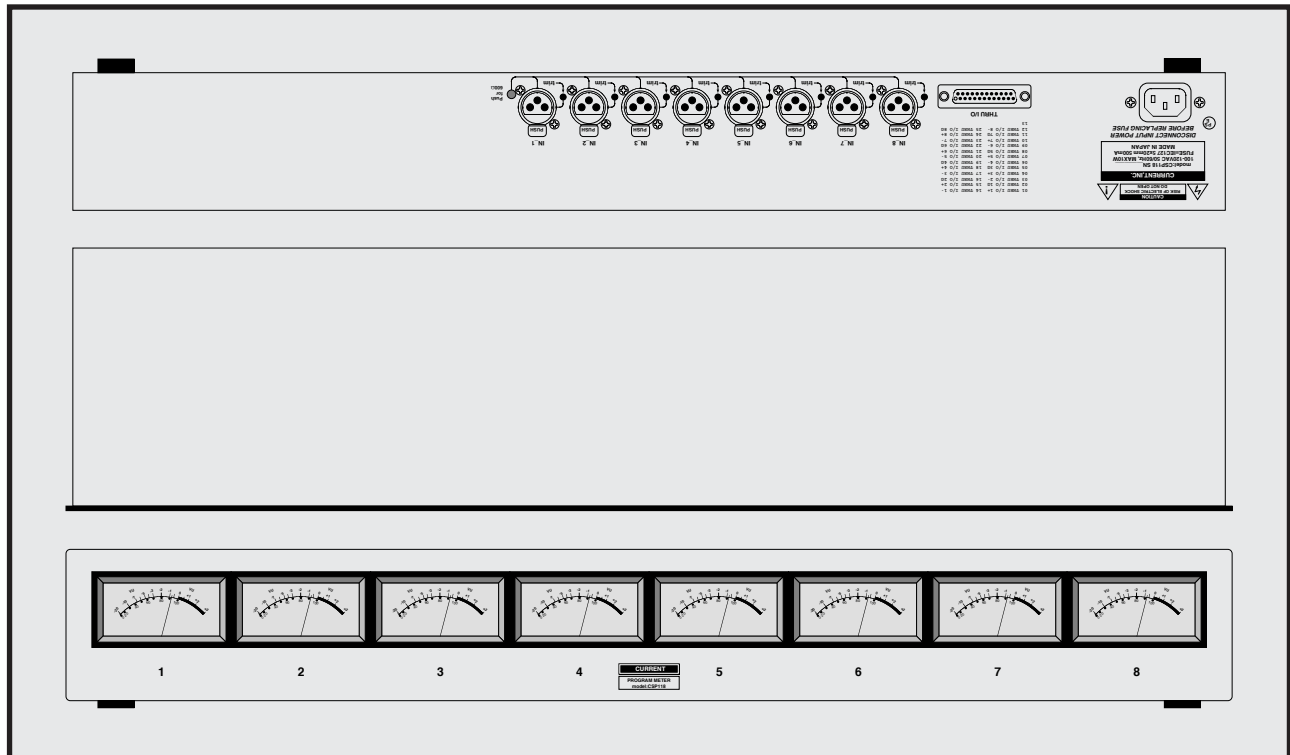


CURRENT PRODUCTS model:CSP118

PROGRAM METER



8ch VU meter
 Highest grade large size meter unit
 Balance XLR input, the Dsub25 through output
 -20dBu to +20dBu trim
 600 Ω line support
 Maintenance-free illumination
 19 inches 2U height

CSP118 is a program meter of 8ch specifications. It implements sifam made to a VU meter unit, and, as for this component, the adoption results with the large size console are a lot of and highly precise. Moreover, it is beautiful and maintenance-free bulb-colored LED is mounted for the illumination of each meter.

"Audio input and output"

Audio input of CSP118 is balanced XLR type connector. Because it is connected directly with a Dsub25-F connector with XLR, it can input the through output from either. In addition, the 600 Ω termination switch is located in rear panel, too.

"Trim"

The reference level of the VU meter is a trim located beside each input connector of the rear panel, and adjustment is possible to -20dBu to +20dBu. In addition, it is 0VU=+4dBu and can change the standard reference level at the time of an order.

"Others"

It is possible for a reference level and the panel name to customize, and, in that case, plate-making charges are necessary separately. In the case of the 8ch meter of the rack mount, please consider in CSP108R or CSP158AR.

Dsub25-F Connector Pin List

1 Signal I/O 1 +	14 Signal I/O 1 -
2 Signal I/O 1 Gnd	15 Signal I/O 2 +
3 Signal I/O 2 -	16 Signal I/O 2 Gnd
4 Signal I/O 3 +	17 Signal I/O 3 -
5 Signal I/O 3 Gnd	18 Signal I/O 4 +
6 Signal I/O 4 -	19 Signal I/O 4 Gnd
7 Signal I/O 5 +	20 Signal I/O 5 -
8 Signal I/O 5 Gnd	21 Signal I/O 6 +
9 Signal I/O 6 -	22 Signal I/O 6 Gnd
10 Signal I/O 7 +	23 Signal I/O 7 -
11 Signal I/O 7 Gnd	24 Signal I/O 8 +
12 Signal I/O 8 -	25 Signal I/O 8 Gnd
13 N.C.	

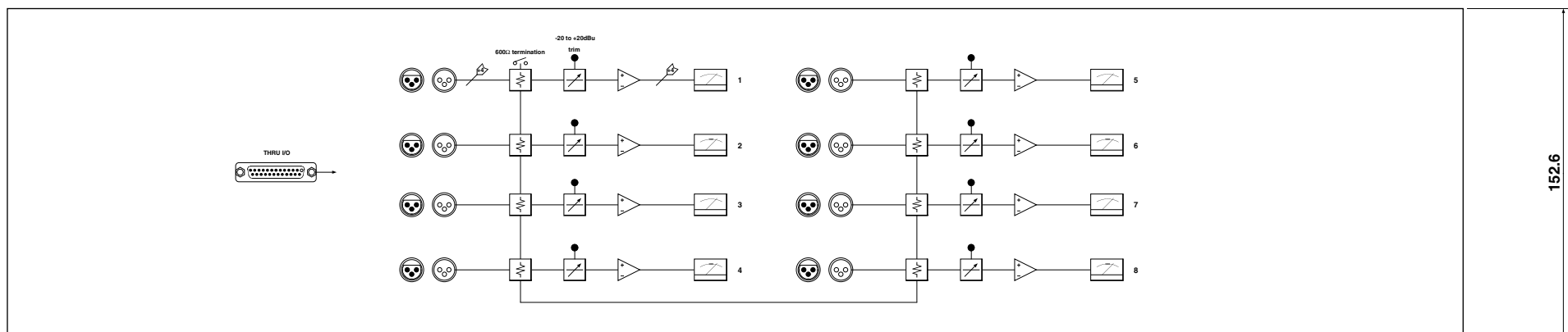
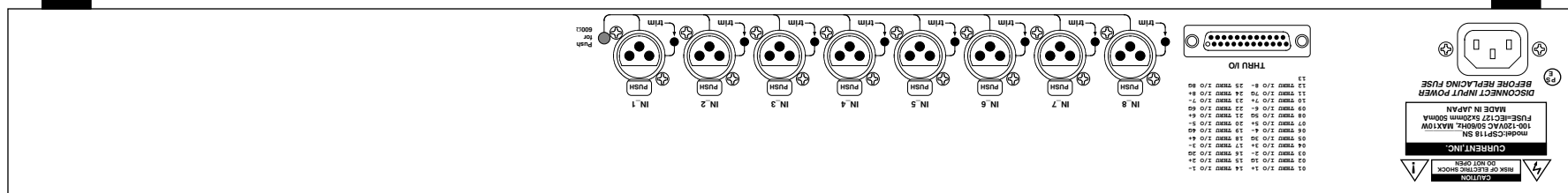
SPECIFICATIONS

- INPUTS: 20kΩ/600Ω, REF=+4dBu, MAX=+24dBu
- INPUT CONNECTOR: XLR3-F
- THRU OUTPUTS CONNECTOR: D25-F(#4-40)
- TRIM: -20dBu~+20dBu
- FREQUENCY RESPONSE: 20Hz~20kHz +/-0.5dB
- METERS: SIFAM R22AF/AL29WF with LED Lamp
- MAINS: 100-120VAC 50/60Hz MAX=10W
- DIMENSIONS: 678Wx88Hx153D, 7kg

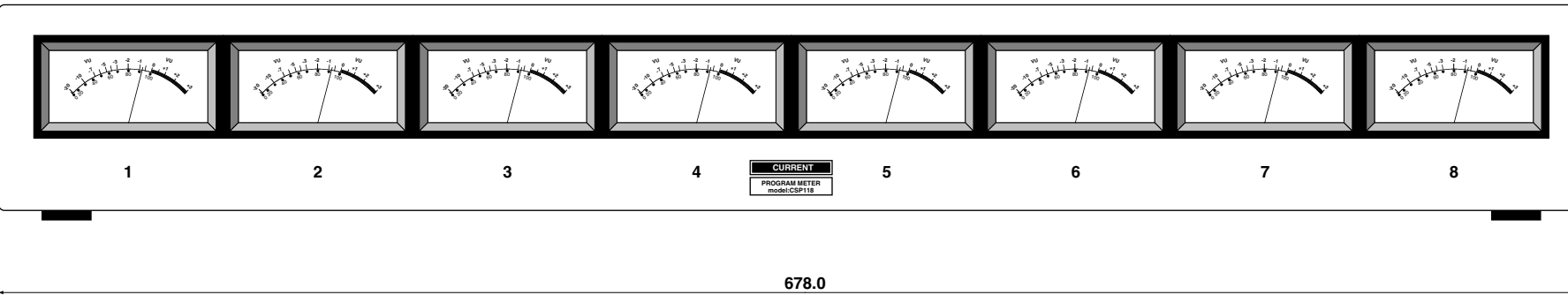
8ch meter	CSP118	¥480,000
Custom silk print		¥80,000
accessory : AC cable		

The specifications are subject to change without notice.
 2-26-11 AKATSUTSUMI, SETAGAYA-KU, TOKYO, 156-0044 JAPAN

MONITOR SYSTEM
 HEADPHONES AMP
 CUE SYSTEM
 COMMUNICATION
 TB. COUGH SYSTEM
 MATRIX AMP
 AUDIO ROUTER
 AUDIO VIDEO
 SWITCHER
 SYSTEM SWITCHER
 EMERGENCY
 AUDIO VIDEO
 DISTRIBUTOR
 METER SYSTEM
 ANALOG, DIGITAL
 PREAMP MIXER
 LEVEL UNIT
 DIGITAL AUDIO
 FADER UNIT
 AUTO FADER
 TALLY FADER
 CLOCK, TIMER
 EVENT SYSTEM
 SPECIAL PRODUCTS
 ETC.



152.6



88.0

678.0

(c)CURRENT, INC.	PROGRAM METER CSP118	Jun.2006
H.I.CHHASHI	PANEL DIAGRAM	CSP118-D

Nov.2010

CSP118 "THRU I/O" Connector Pin List (D25-F #4-40)

Ribbon	Hard	Signal name	Description	Active
1	1	1+	THRU I/O 1+	
2	14	1-	THRU I/O 1-	
3	2	1G	THRU I/O 1 GND	
4	15	2+	THRU I/O 2+	
5	3	2-	THRU I/O 2-	
6	16	2G	THRU I/O 2 GND	
7	4	3+	THRU I/O 3+	
8	17	3-	THRU I/O 3-	
9	5	3G	THRU I/O 3 GND	
10	18	4+	THRU I/O 4+	
11	6	4-	THRU I/O 4-	
12	19	4G	THRU I/O 4 GND	
13	7	5+	THRU I/O 5+	
14	20	5-	THRU I/O 5-	
15	8	5G	THRU I/O 5 GND	
16	21	6+	THRU I/O 6+	
17	9	6-	THRU I/O 6-	
18	22	6G	THRU I/O 6 GND	
19	10	7+	THRU I/O 7+	
20	23	7-	THRU I/O 7-	
21	11	7G	THRU I/O 7 GND	
22	24	8+	THRU I/O 8+	
23	12	8-	THRU I/O 8-	
24	25	8G	THRU I/O 8 GND	
25	13			

注意！ Dサブコネクタの接続はHARDピン番号で接続してください。取付は#4-40インチビスです。

CAUTION! D-Connector for wiring refer toHard pin number Description. Mounting screw for D-connector use #4-40 size.