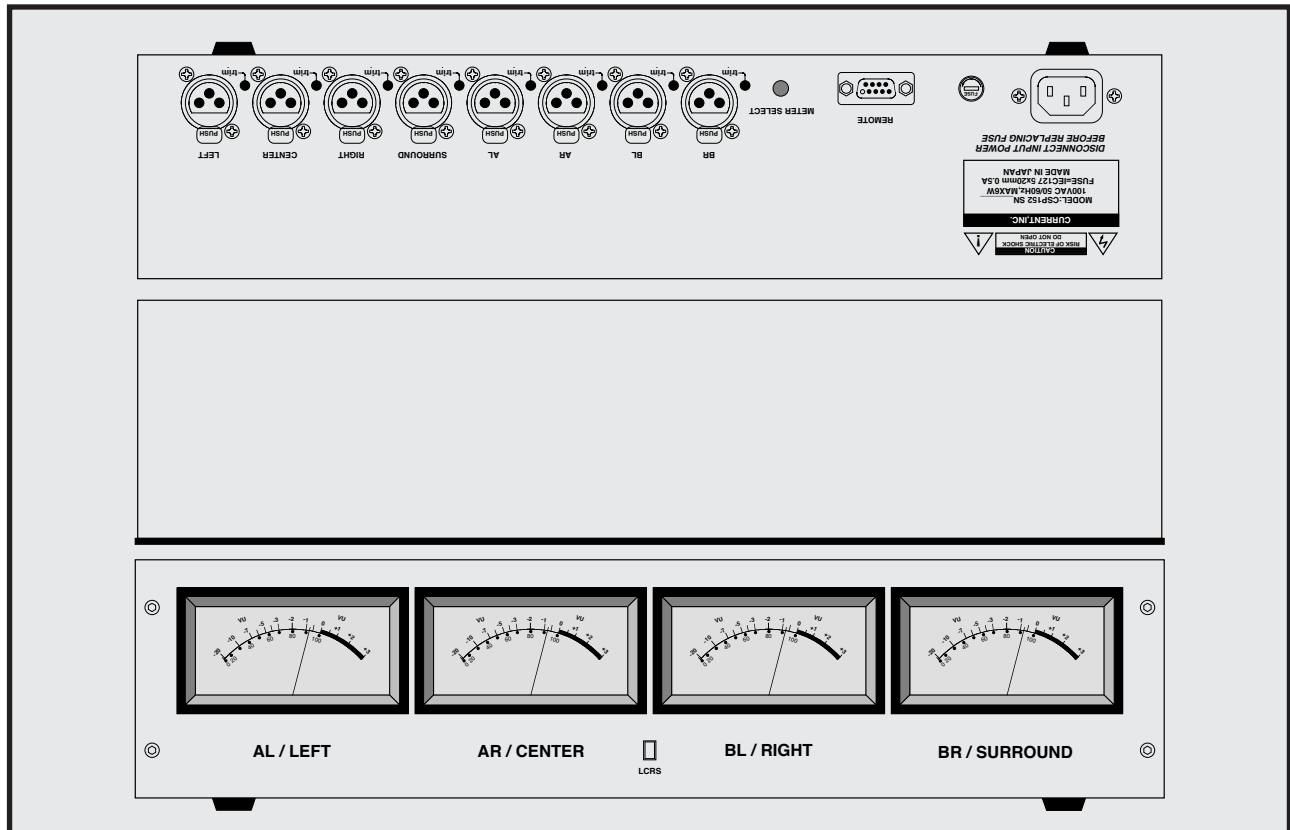


CURRENT PRODUCTS model:CSP152 PROGRAM METER



Dual source 4ch meter
Balance XLR input
Remote control
Maintenance-free illumination
With trim

CSP152 is a program meter of the dual 4 channel source. It implements sifam made to a VU meter unit, and, as for this component, the adoption results with the large size console are a lot of and highly precise. The meter unit is R32AF which is one size larger than CSP153A/R. In addition, the maintenance-free LED light is mounted on each meter.

"Audio input and output"

CSP152 allows input in dual 4 channel source with balance type XLR type connector. As for the switch of 2 routes, a switch is possible with a push switch of the rear panel or a remote switch. Moreover, an LED lamp of the front panel turns on when it changes it. In addition, AL/AR/BL/BR input is chosen at the time of the power-up.

"Trim"

As for the reference level of the VU meter, adjustment is possible in the range of +/- 2dB in a trim located beside each input connector of the rear panel. In addition, the standard reference level is +4dBu.

"Remote"

It only connects a simple momentary switch to a remote connector of the rear panel to change a meter from external. Of course the tarry is output, too.

"Others"

It is possible for a reference level and the panel name to customize, and, in that case, plate-making charges are necessary separately.

REMOTE DSUB9 - F

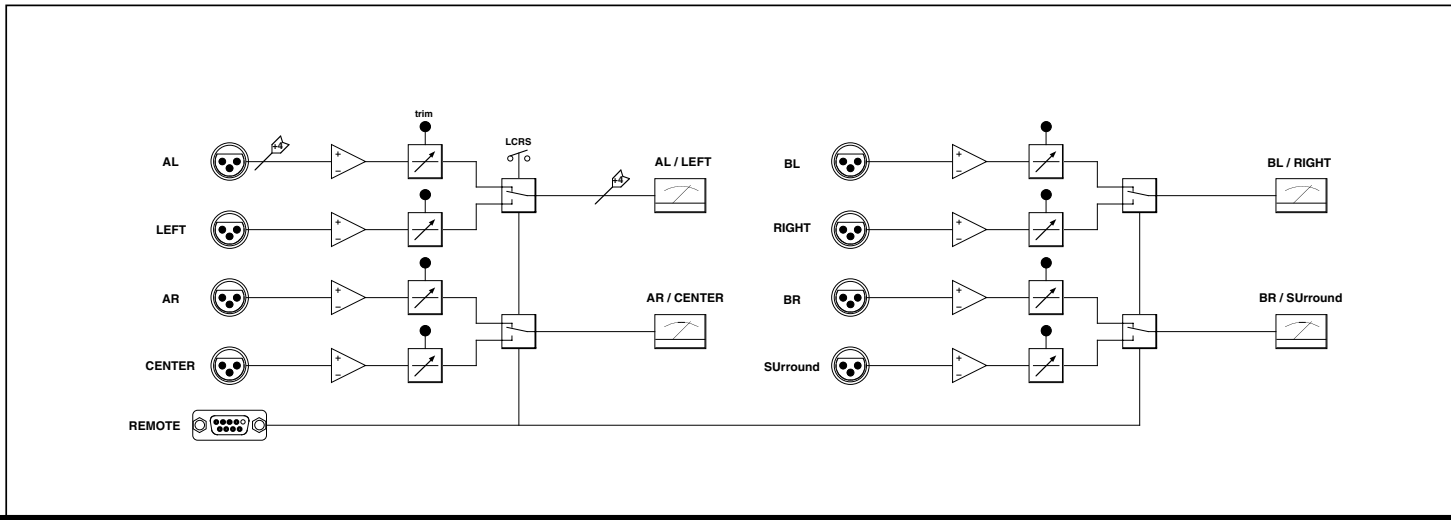
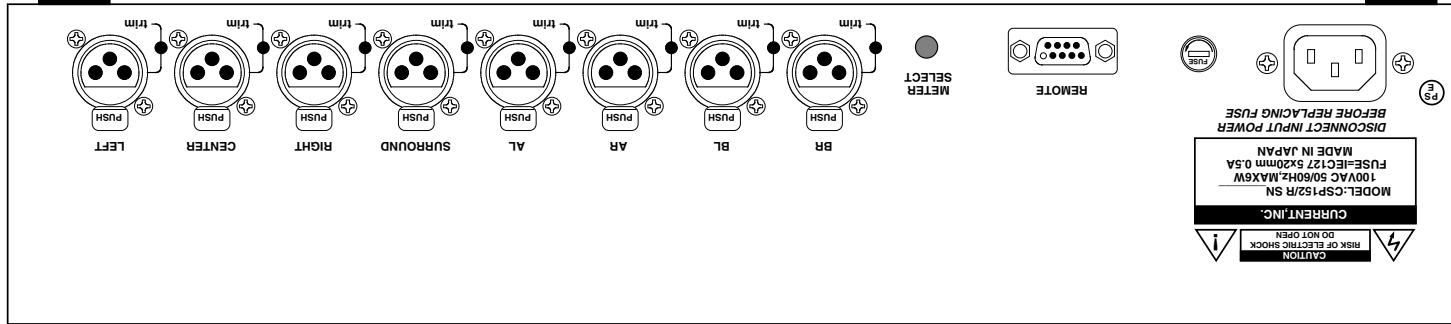
01 SW COM (0V)	06 LP COM(+12V)
02 SELECT SW	07 SELECT LP
03	08
04	09
05	

SPECIFICATIONS

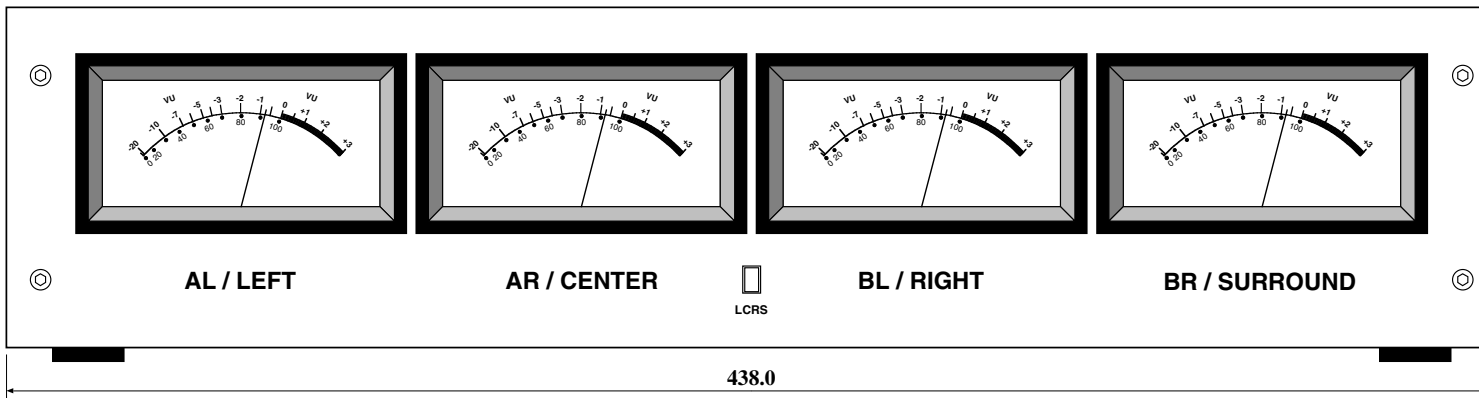
- **INPUTS:** 4ch x2, 30kΩ, BALANCED
- **INPUT CONNECTOR:** XLR3-F
- **THRU OUTPUT CONNECTOR:** XLR3-M
- **FREQUENCY RESPONSE:** 20~20kHz ±0.5dB
- **REFERENCE:** +4dBu
- **METERS:** SIFAM R32AF/AL39WF Internal LED Lamp
- **REMOTE:** D9-F(#4-40)
- **MAINS:** 100VAC 50/60Hz MAX=5W
- **CSP152 DIMENSIONS:** 438Wx88Hx153D, 6kg

Rack mount	CSP152	¥340,000
Custom silk print		¥64,000
accessory : AC cable		

The specifications are subject to change without notice.
2-26-11 AKATSUTSUMI, SETAGAYA-KU, TOKYO, 156-0044 JAPAN



152.6



100.0

438.0

(c)CURRENT,INC.	PROGRAM METER CSP152	OCT.2006
H.ICHIHASHI	PANEL DIAGRAM	AUG.97
		CSP152-D

"CSP152 'REMOTE' D9-F(#4-40) Connector Pin List

Ribbon	Hard	Signal name	Designation	Active
1	1	SW COM	SWITCHES COMMON	0V
2	6	LP COM	LAMPS COMMON	+12V
3	2	SW	SELECT SWITCH	Lo
4	7	LP	SELECT TALLY max=20mA	Lo
5	3			
6	8			
7	4			
8	9			
9	5			

電源投入時にはA L / A R / B L / B Rが選択されます。

リモートコネクタのSW端子はリヤパネルの切り換えスイッチとパラです。

注意！ Dサブコネクタの接続はHARDピン番号で接続してください。取付は#4 - 40インチビスです。

CAUTION! D-Connector for wiring refer toHard pin number Description. Mounting screw for D-connector use #4-40 size.