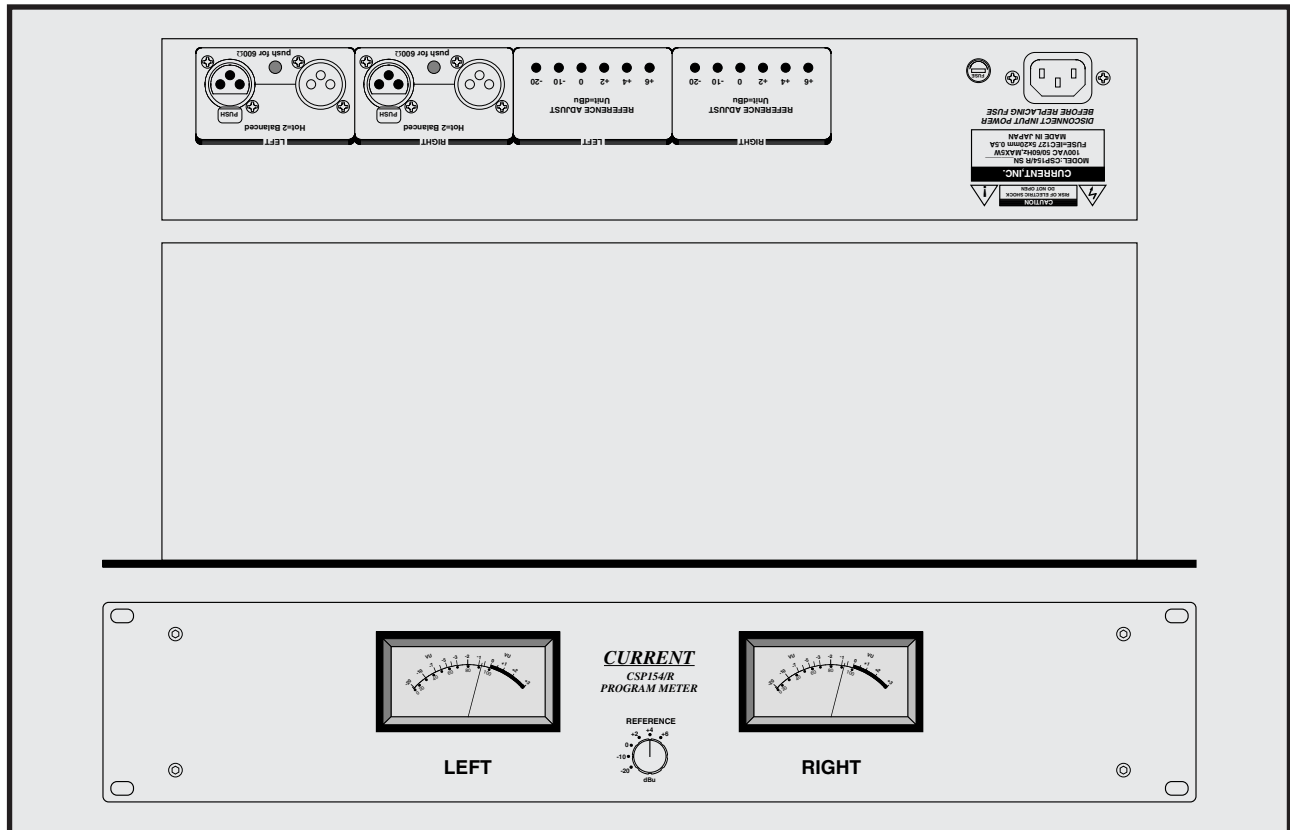


# CURRENT PRODUCTS model:CSP154/R PROGRAM METER



- 6 phases of reference levels
- Highest grade large size VU meter
- Balance XLR input
- 600 Ω support
- Throughout
- Trim every each reference
- Maintenance-free illumination
- 19 inches 2U size

**CSP154 is a program meter of stereo specifications, and the setting of 6 stages of reference levels is possible. It implements sifam made to a VU meter unit, and, as for this component, the adoption results with the large size console are a lot of and highly precise. In addition, it uses maintenance-free bulb-colored LED for the illumination of each meter.**

### "Audio input and output"

Audio input of CSP154 is balance type XLR type connector, and the throughout allows the insertion to the middle of the line. In addition, it can change the input impedance to 600 Ω with a switch of the rear panel.

### "Trim"

Left and right is independent and can adjust the VU meter every each reference precisely in a trim of the rear panel. In addition, please adjust loading in a connected state when you use the through output.

### "Reference"

The reference level of CSP154 is a rotary switch of the front panel, and 6 phases of setting of -20dBu, -10dBu, 0dBu, +2dBu, +4dBu and +6dBu is possible.

### "Others"

Please refer about a reference level and the deviation such as the names of the meter with an option. In addition, in the case of renaming, plate-making charges are necessary separately.



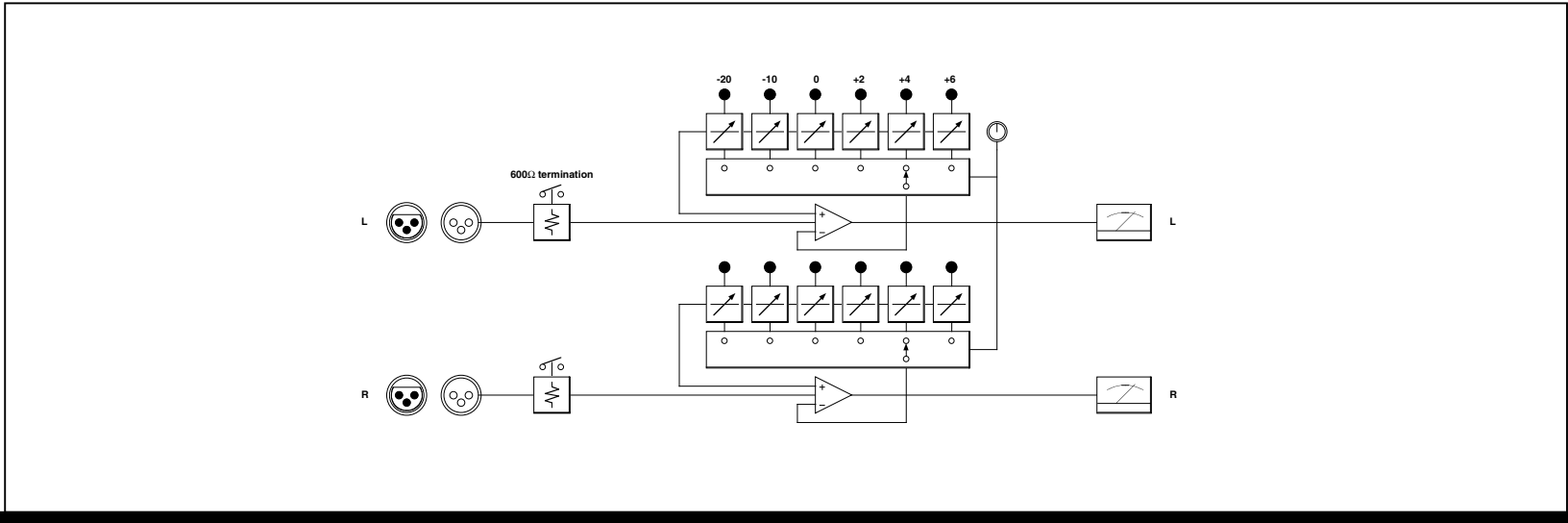
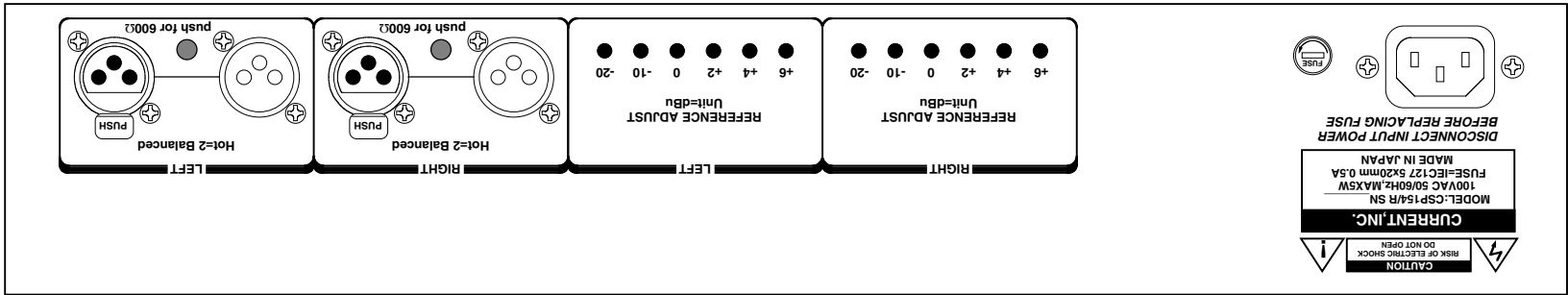
## SPECIFICATIONS

- 🍏 **INPUTS:** 2ch, 30kΩ / 600Ω, BALANCED
- 🍏 **INPUT CONNECTOR:** XLR3-F
- 🍏 **THRU OUTPUT CONNECTOR:** XLR3-M
- 🍏 **FREQUENCY RESPONSE:** 20~20kHz ±0.5dB
- 🍏 **REFERENCE:** -20, -10, 0, +2, +4, +6dBu
- 🍏 **METERS:** SIFAM R22AF/AL29WF Internal LED Lamp
- 🍏 **MAINS:** 100VAC 50/60Hz MAX=6W
- 🍏 **CSP154R DIMENSIONS:** 482Wx88Hx153D, 5kg
- 🍏 **CSP154 DIMENSIONS:** 438Wx88Hx153D, 5kg

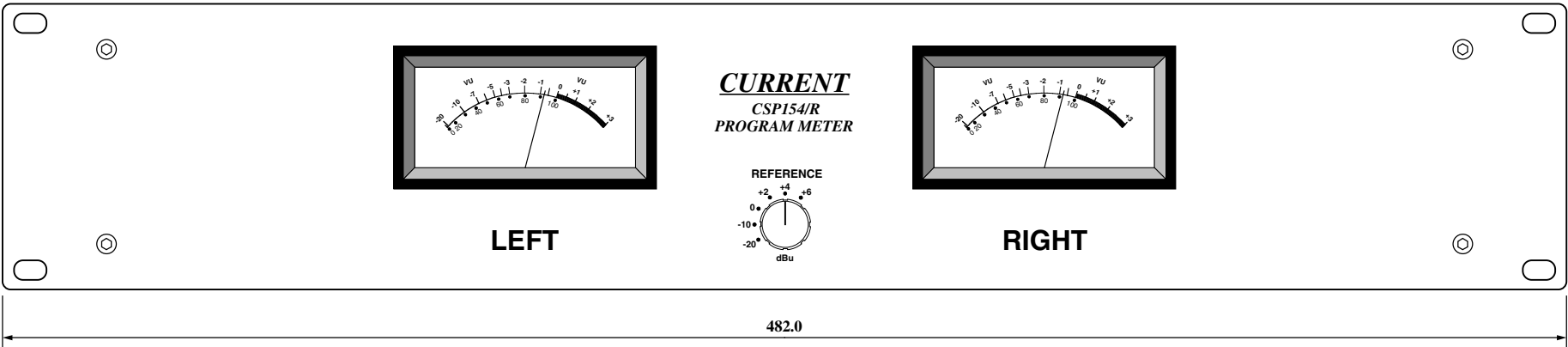
Rack mount	CSP154R	¥298,000
No mount angle	CSP154	¥298,000
Custom silk print		¥64,000

accessory : AC cable

The specifications are subject to change without notice.  
2-26-11 AKATSUTSUMI, SETAGAYA-KU, TOKYO, 156-0044 JAPAN



152.6

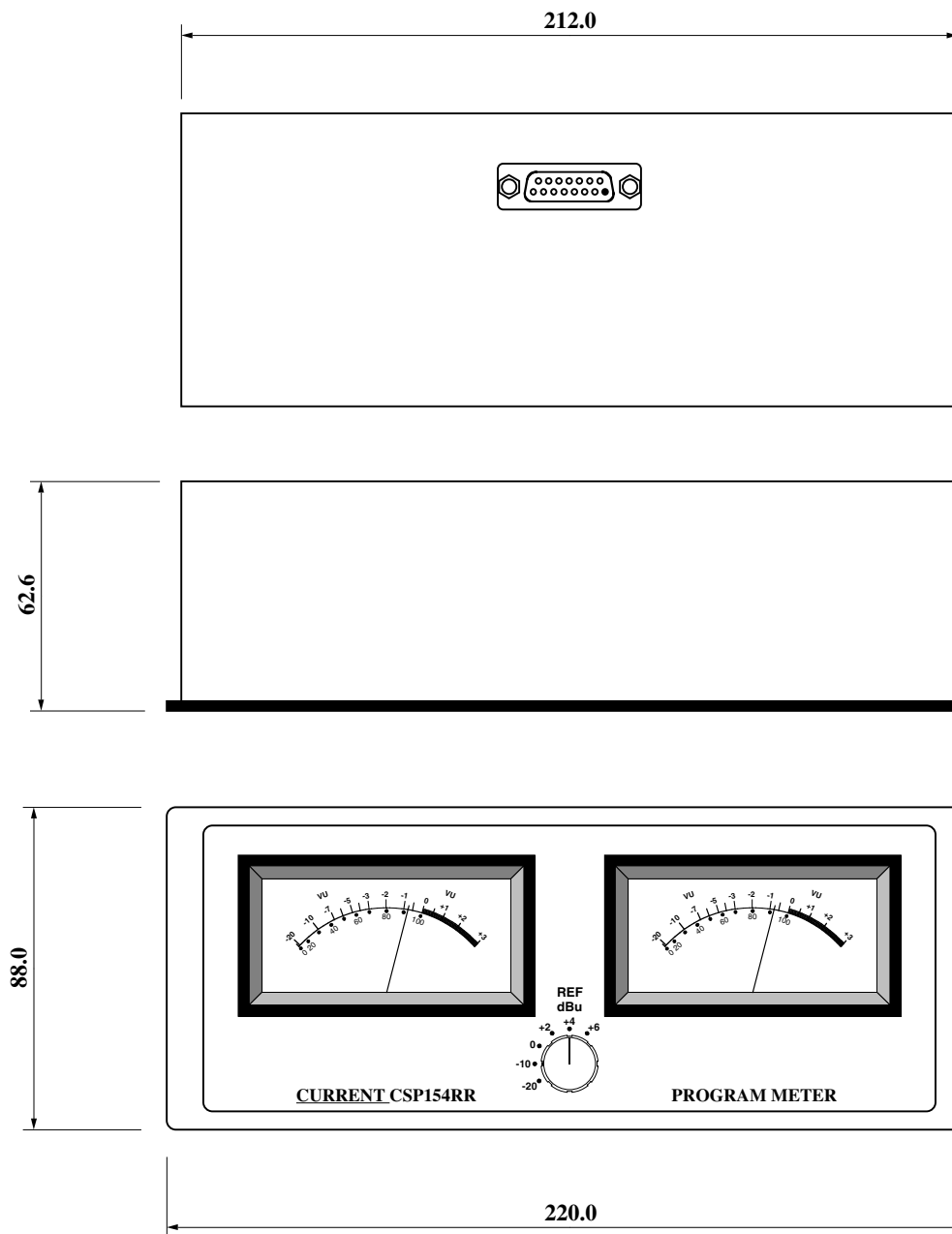


88.0

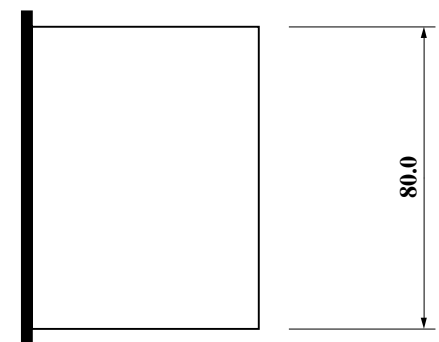
482.0

Nov.2010

(c)CURRENT,INC.	PROGRAM METER CSP154R	Apr.2000
H.ICHIHASHI	PANEL DIAGRAM	CSP154R-D



表示部みのリモートユニットです。  
 本体フロントパネルはブランクとなります。



(c)CURRENT,INC.	PROGRAM METER CSP154RR	Mar.2003
H.ICHIHASHI	PANEL DIAGRAM	CSP154-remote