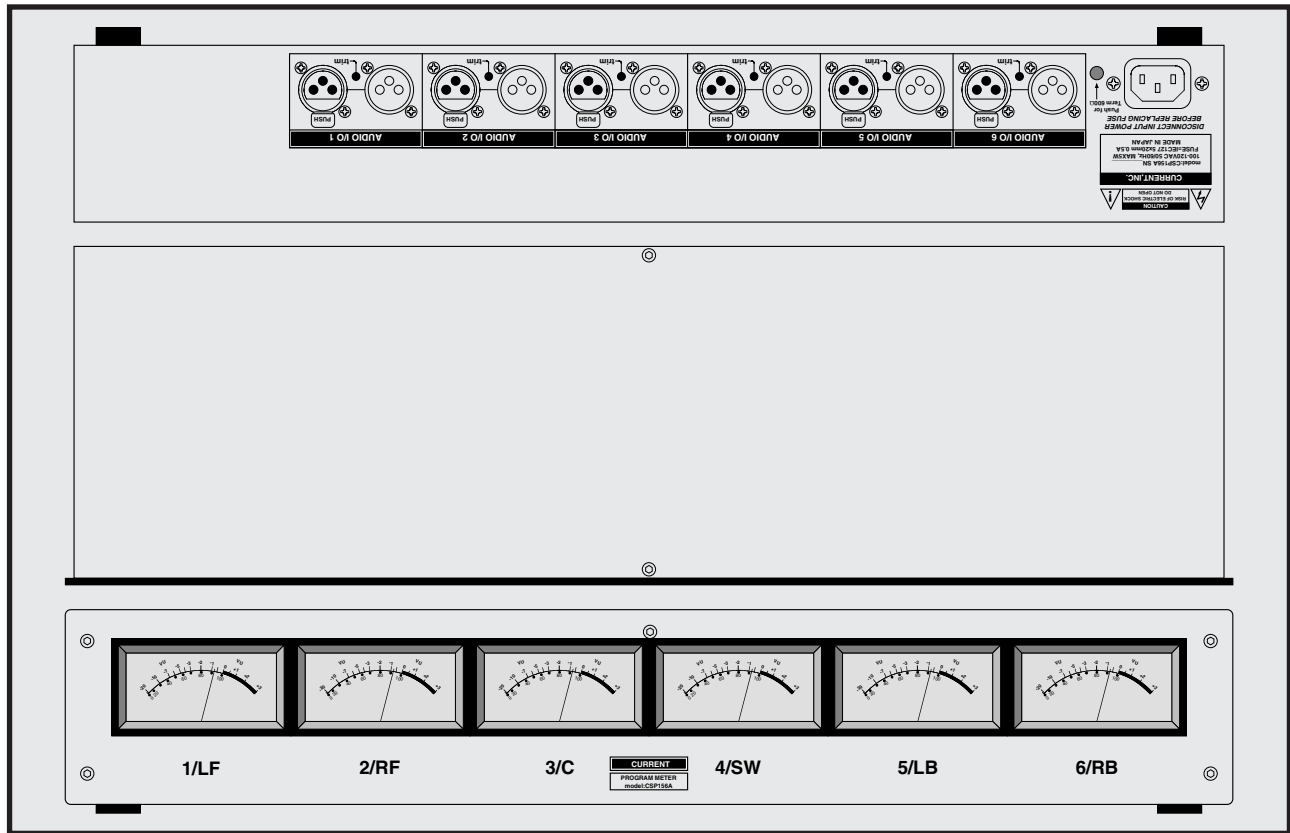


# CURRENT PRODUCTS model:CSP156A PROGRAM METER



## 6ch VU meter

Most suitable for surround, DVD

Precision VU meter

Balanced XLR inputs

The through outputs

With a trim

Maintenance-free illumination

2U height size

*CSP156A is a program meter of 6ch for the purpose of the multi channel source support of surround and the DVD. It implements sifam made to a VU meter unit, and, as for this component, the adoption results with the large size console are a lot of and highly precise. Moreover, it is beautiful and maintenance-free bulb-colored LED is mounted for the illumination of each meter.*

## "Audio input and output"

Audio input of CSP156A and the through output are balanced XLR type connectors. In addition, it is compatible with the 600 Ω line with a termination switch of the rear panel.

## "Trim"

The reference level of the VU meter is a trim located beside each input connector of the rear panel, and adjustment is possible to -20dBu to +20dBu. In addition, the standard reference level is 0VU=+4dBu.

## "Others"

When you want to make a rack mount in 6ch, please consider in CSP159R or CSP158AR. In addition, it is possible for the change to

name of a reference level and the panel depending on specifications.

It is possible for a reference level and the panel name to customize, and, in that case, plate-making charges are necessary separately.



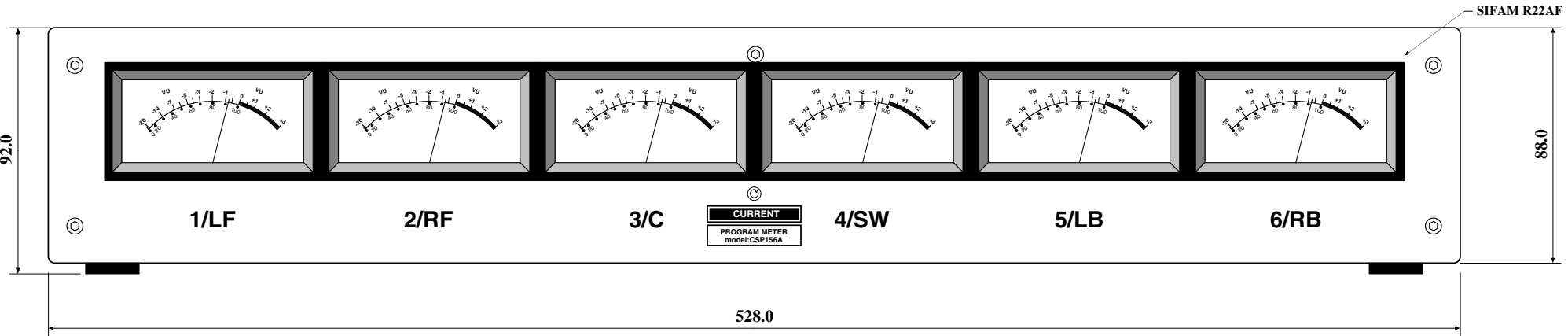
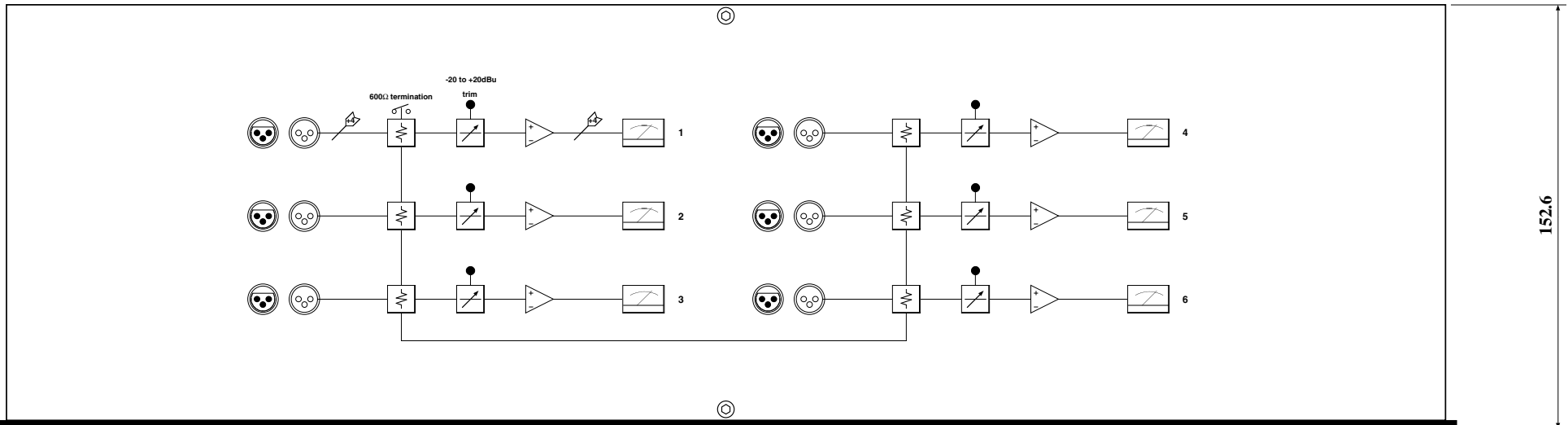
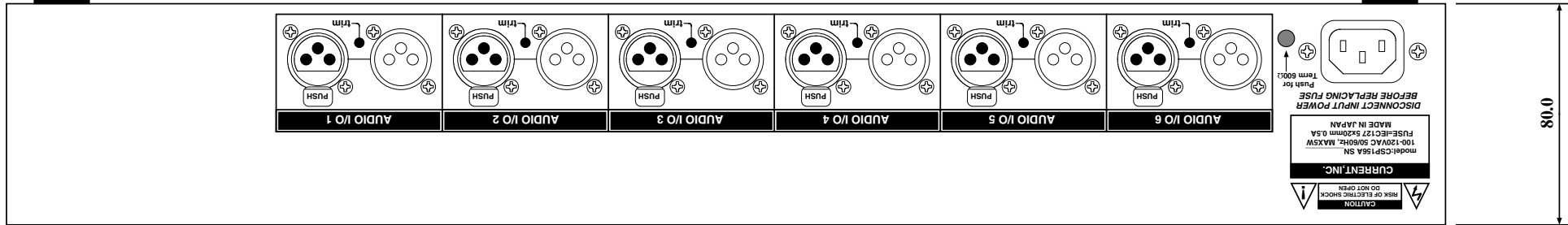
## SPECIFICATIONS

- ◆ **INPUTS:** 6ch, 20kΩ, BALANCED
- ◆ **INPUT CONNECTOR:** XLR3-F
- ◆ **THRU OUTPUT CONNECTOR:** XLR3-M
- ◆ **FREQUENCY RESPONSE:** 20~20kHz ±0.5dB
- ◆ **REFERENCE:** +4dBu, adjustable -20~+20dBu
- ◆ **METERS:** SIFAM R22AF/AL29WF Internal LED Lamp
- ◆ **MAINS:** 100VAC 50/60Hz MAX=5W
- ◆ **DIMENSIONS:** 528Wx88Hx153D, 5kg

6ch meter	CSP156A	¥380,000
Custom silk print		¥80,000

accessory : AC cable

The specifications are subject to change without notice.  
2-26-11 AKATSUTSUMI, SETAGAYA-KU, TOKYO, 156-0044 JAPAN



100.0

152.6

92.0

528.0

88.0

(c)CURRENT,INC.	PROGRAM METER CSP156A	Sep.2004
H.ICHIHASHI	PANEL DIAGRAM	CSP156A-D

Nov.2010