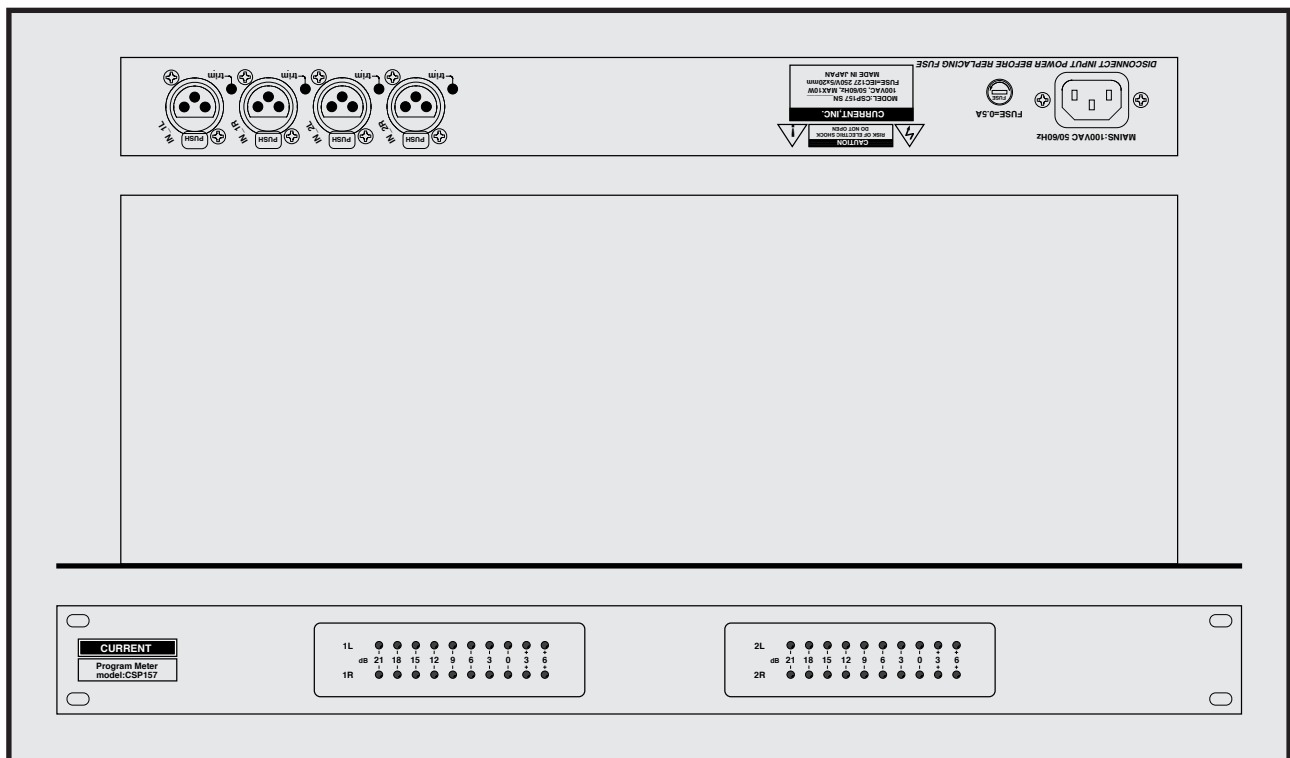


CURRENT PRODUCTS model:CSP157

DUAL STEREO PROGRAM METER



Dual stereo level meter
 High visibility by the LED display
 30dB dynamic range
 XLR input
 19 inches 1U size
 Level trim

CSP157 is a program meter of dual stereo specifications. It is highly visible by LED display and is most suitable for the audio level monitoring in the room of lighting a few such as video editing rooms.

"Audio input"

Audio input of CSP157 is a female connector of the balanced XLR type and versatility is high and shows high reliability in the connection.

"Display"

The meter display indicates it at 10 points of the -21, -18, -15, -12, -9, -6, -3, 0, +3, +6 with a dynamic range of 30dB. It is green from -21 to 0, and +3 indicates yellow, +6 with red.

"Level trim"

The reference level adjustment of the meter is a trim by each input connector of the rear panel, and a change of about ± 10 dB is possible. The standard reference level is +0dBm, but can change in +4dBu, -10dBu with an option.

"Others"

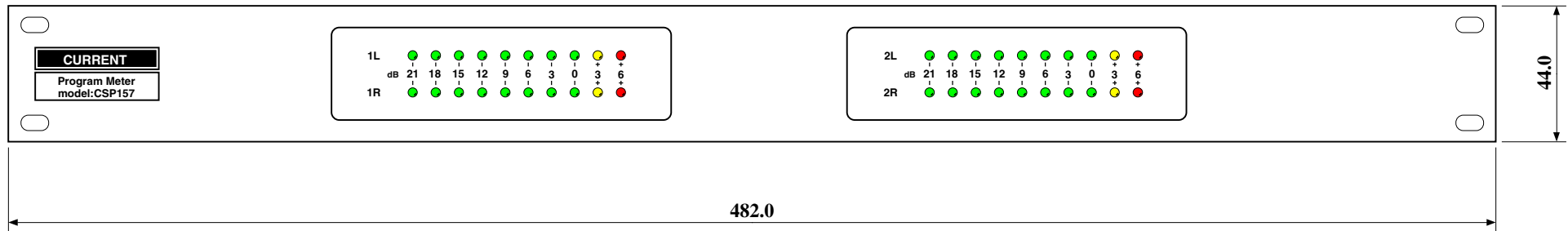
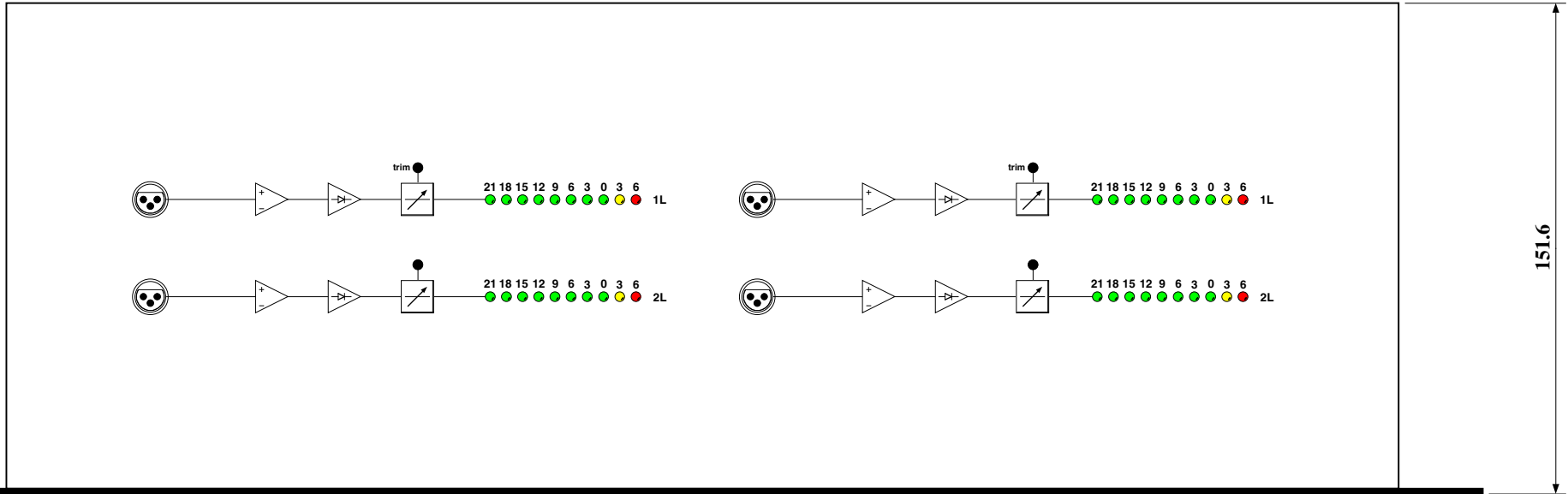
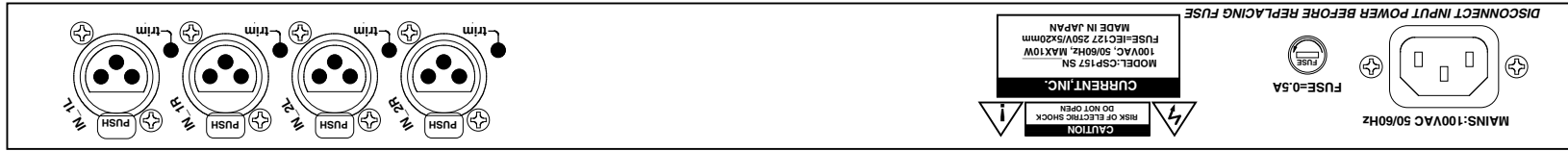
It is possible for a reference level and the panel name to customize, and, in that case, plate-making charges are necessary extra.



SPECIFICATIONS

- 🍏 **INPUTS:** BALANCED
- 🍏 **INPUT IMPEDANCE:** 600 Ω
- 🍏 **INPUT CONNECTOR:** XLR3-F
- 🍏 **FREQUENCY RESPONSE:** 20~20kHz ± 0.5 dB
- 🍏 **DISPLAY:** -21 to +6dB (3dB step)
- 🍏 **ADJUST:** METER ADJUST ± 10 dB
- 🍏 **MAINS:** 100-120VAC 50/60Hz, MAX=10W
- 🍏 **DIMENSIONS:** 482Wx44Hx153D, 2kg

Program meter	CSP157	¥198,000
Custom print		¥72,000
accessory : AC cable		



CURRENT, INC.	CSP157 DUAL STEREO PROGRAM METER	SEP.06,99
H.ICHIIHASHI	PANEL DIAGRAM	CSP157-D

Nov.2010