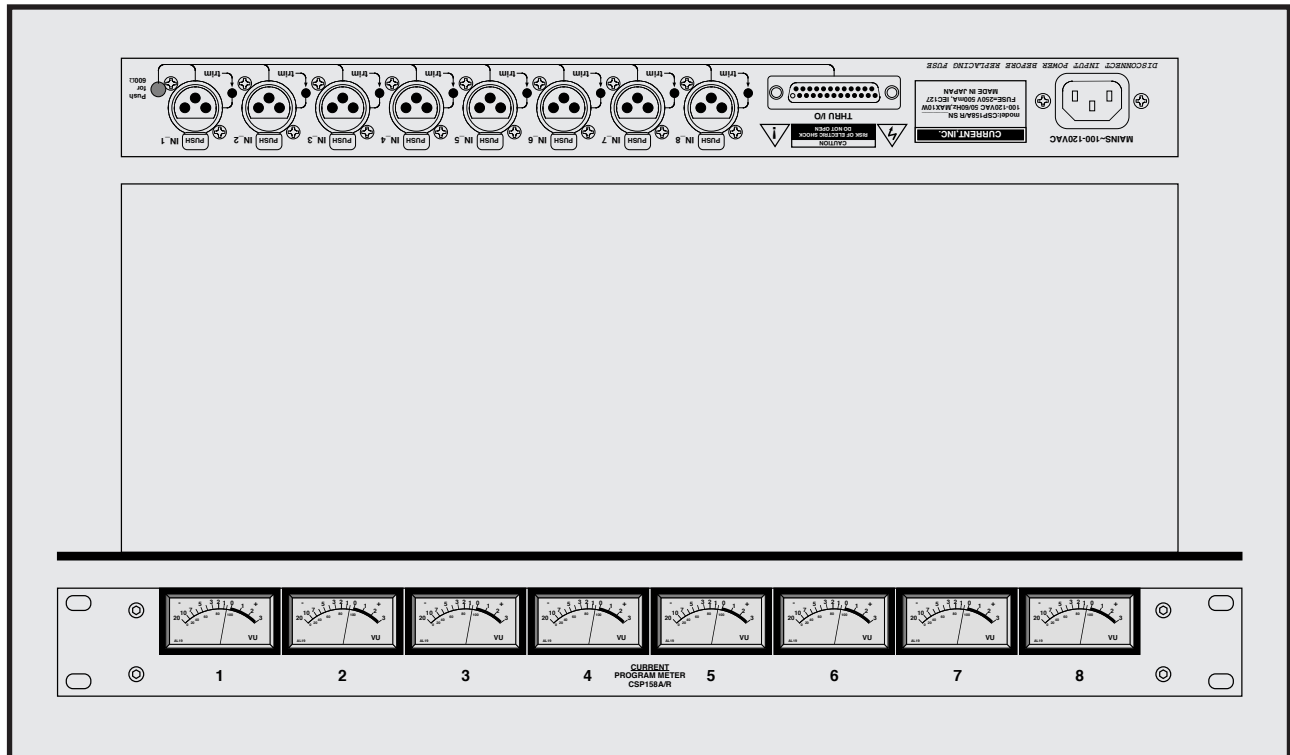


# CURRENT PRODUCTS model:CSP158A/R PROGRAM METER



- 8ch VU meter
- Balance XLR input
- Dsub25 through input and output
- 20 to +20dBu trim
- Maintenance-free illumination
- 600 Ω line compatible
- 19 inches 1U size

**CSP158A/R is 8 channel program meters of the 19 inches 1U size. It implements sifam made to a VU meter unit, and, as for this component, the adoption results with the large size console are a lot of and highly precise. Moreover, it is beautiful and maintenance-free bulb-colored LED is mounted for the illumination of each meter.**

#### "Audio input and output"

Audio input of CSP158A/R is balanced XLR type connector. The DSUB25-F connector is directly connected to with XLR, and even input or output whichever is available. Moreover, the 600 Ω termination switch is located in rear panel, too.

#### "Trim"

The reference level of the VU meter is a trim located beside each input connector of the rear panel, and adjustment is possible to -20dBu to +20dBu. In addition, the standard reference level is 0VU=+4dBu.

#### "Others"

It is possible for a reference level and the panel name to customize, and, in that case, plate-making charges are necessary separately. Please specify CSP158A of the desktop or rack mount-type CSP158AR at the time of an order.



#### Dsub25-F Connector Pin List

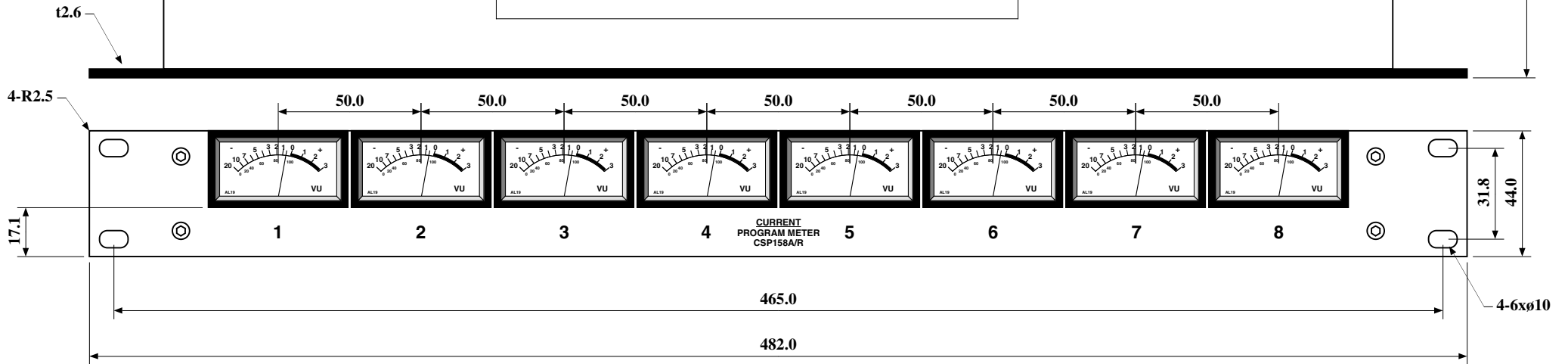
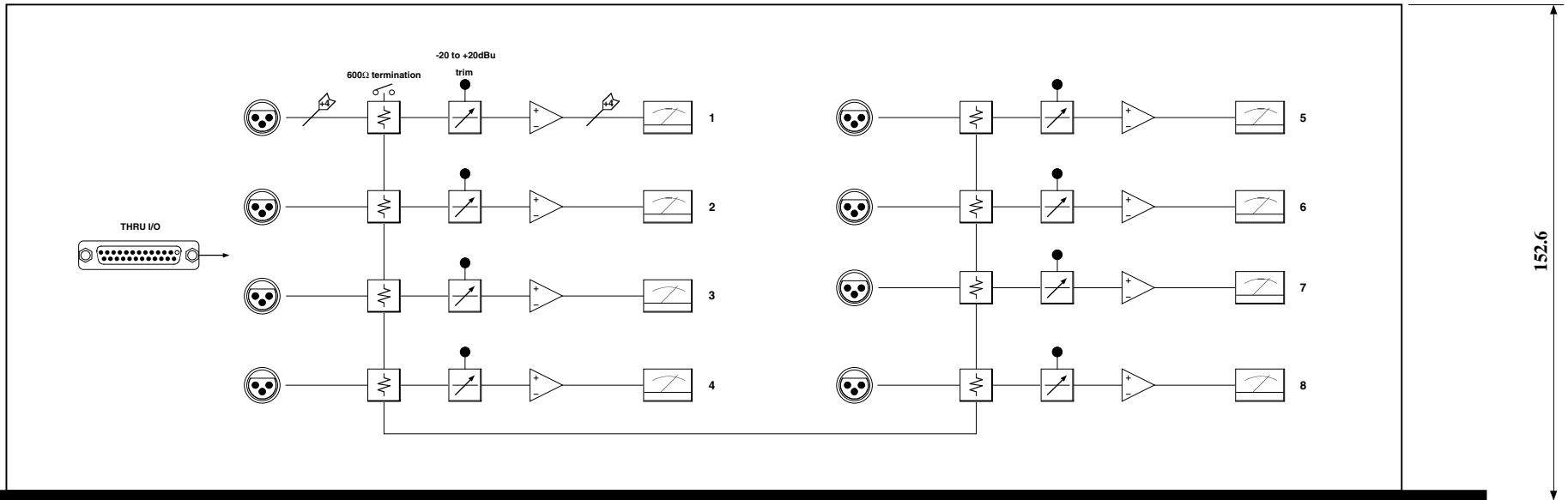
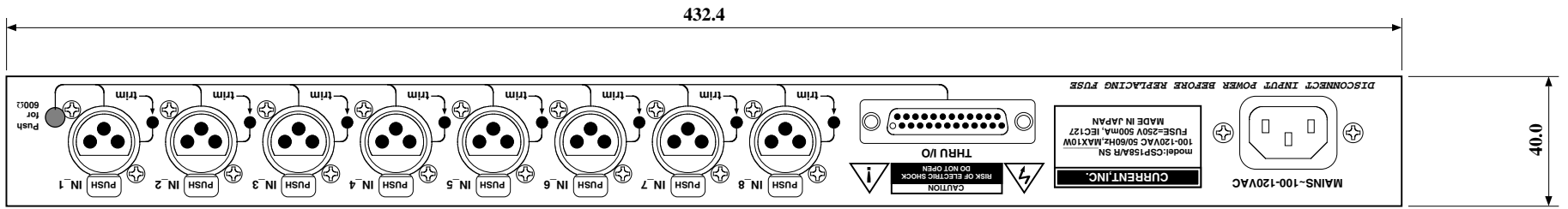
1 Signal I/O 1 +	14 Signal I/O 1 -
2 Signal I/O 1 Gnd	15 Signal I/O 2 +
3 Signal I/O 2 -	16 Signal I/O 2 Gnd
4 Signal I/O 3 +	17 Signal I/O 3 -
5 Signal I/O 3 Gnd	18 Signal I/O 4 +
6 Signal I/O 4 -	19 Signal I/O 4 Gnd
7 Signal I/O 5 +	20 Signal I/O 5 -
8 Signal I/O 5 Gnd	21 Signal I/O 6 +
9 Signal I/O 6 -	22 Signal I/O 6 Gnd
10 Signal I/O 7 +	23 Signal I/O 7 -
11 Signal I/O 7 Gnd	24 Signal I/O 8 +
12 Signal I/O 8 -	25 Signal I/O 8 Gnd
13 N.C.	

#### SPECIFICATIONS

- ♣ **INPUTS:** 8ch, 20kΩ, BALANCED
- ♣ **INPUT CONNECTOR:** XLR3-F
- ♣ **INPUT/OUTPUT CONNECTOR:** DSUB25-F(#4-40)
- ♣ **FREQUENCY RESPONSE:** 20~20kHz ±0.5dB
- ♣ **REFERENCE:** +4dBu, adjustable -20~+20dBu
- ♣ **METERS:** SIFAM AL19WF Internal LED Lamp
- ♣ **MAINS:** 100-120VAC 50/60Hz MAX=10W
- ♣ **CSP158AR DIMENSIONS:** 482Wx88Hx153D, 4kg
- ♣ **CSP158A DIMENSIONS:** 482Wx88Hx153D, 4kg

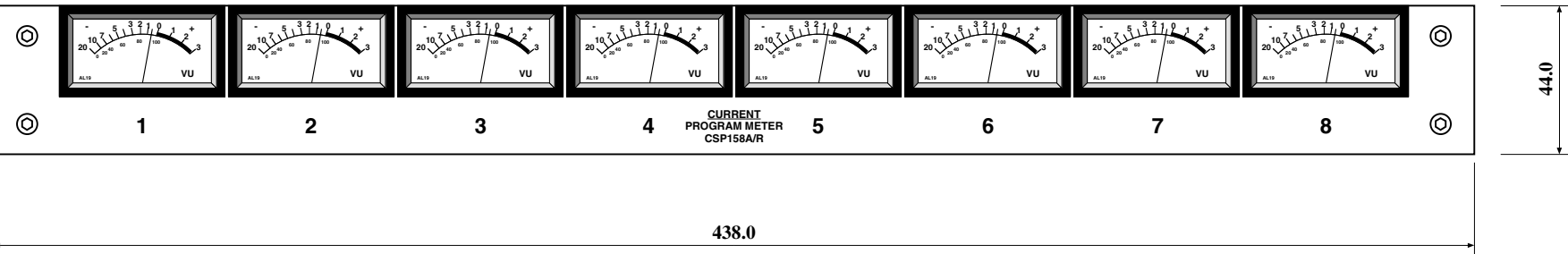
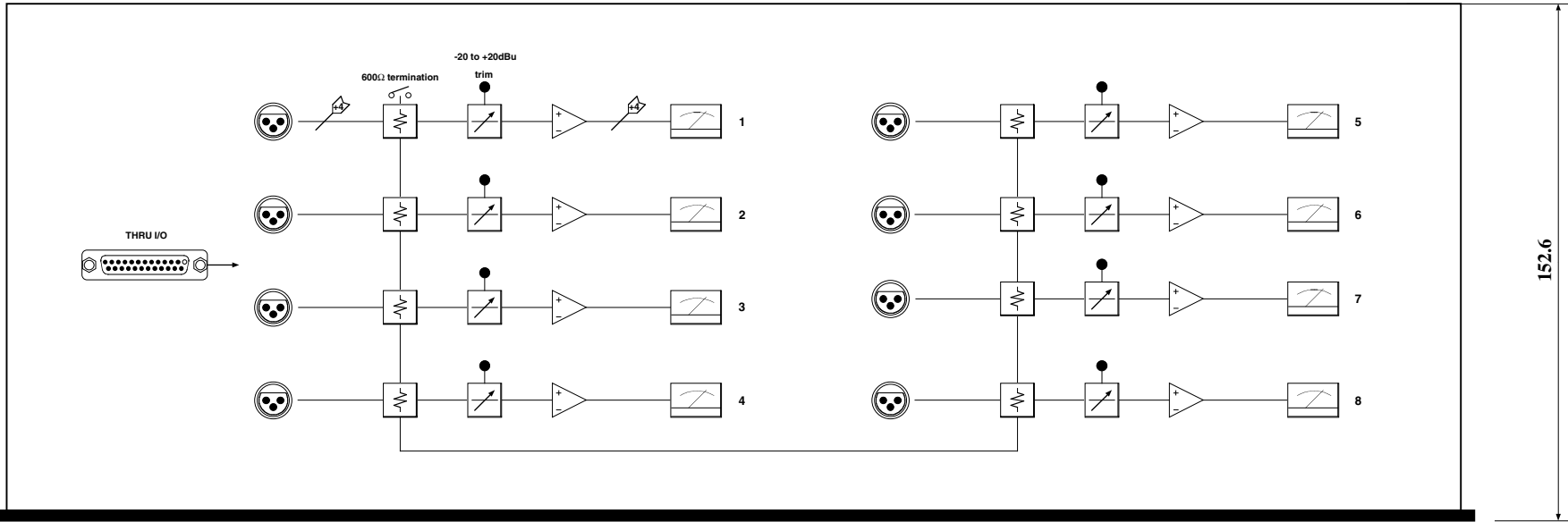
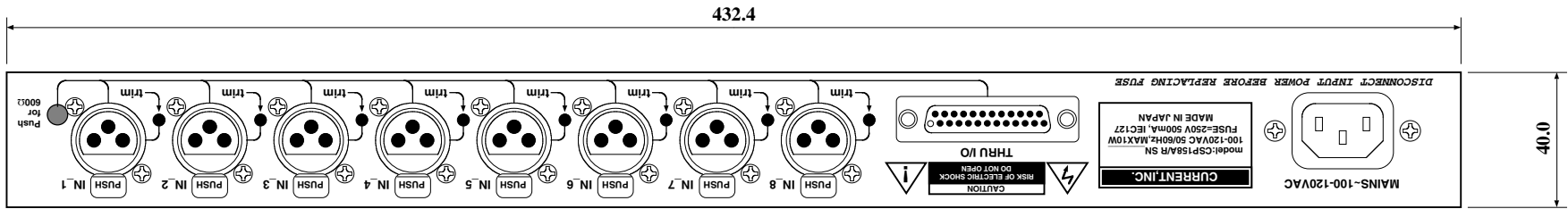
Rack mount	CSP158R	¥248,000
No mount angle	CSP158	¥248,000
Custom silk print		¥64,000
accessory : AC cable		

The specifications are subject to change without notice.  
2-26-11 AKATSUTSUMI, SETAGAYA-KU, TOKYO, 156-0044 JAPAN



(c)CURRENT, INC.	PROGRAM METER CSP158AR	SEP.2003
H.ICHIHASHI	PANEL DIAGRAM	CSP158AR-D

Nov.2010



(c)CURRENT,INC.	PROGRAM METER CSP158A	SEP.2003
H.ICHIHASHI	PANEL DIAGRAM	CSP158A-D

## CSP158A/R "THRU I/O" Connector Pin List (D25-F #4-40)

Ribbon	Hard	Signal name	Description	Active
1	1	1+	THRU I/O 1+	
2	14	1-	THRU I/O 1-	
3	2	1G	THRU I/O 1 GND	
4	15	2+	THRU I/O 2+	
5	3	2-	THRU I/O 2-	
6	16	2G	THRU I/O 2 GND	
7	4	3+	THRU I/O 3+	
8	17	3-	THRU I/O 3-	
9	5	3G	THRU I/O 3 GND	
10	18	4+	THRU I/O 4+	
11	6	4-	THRU I/O 4-	
12	19	4G	THRU I/O 4 GND	
13	7	5+	THRU I/O 5+	
14	20	5-	THRU I/O 5-	
15	8	5G	THRU I/O 5 GND	
16	21	6+	THRU I/O 6+	
17	9	6-	THRU I/O 6-	
18	22	6G	THRU I/O 6 GND	
19	10	7+	THRU I/O 7+	
20	23	7-	THRU I/O 7-	
21	11	7G	THRU I/O 7 GND	
22	24	8+	THRU I/O 8+	
23	12	8-	THRU I/O 8-	
24	25	8G	THRU I/O 8 GND	
25	13			

注意！ Dサブコネクタの接続はHARDピン番号で接続してください。取付は#4-40インチビスです。

CAUTION! D-Connector for wiring refer toHard pin number Description. Mounting screw for D-connector use #4-40 size.