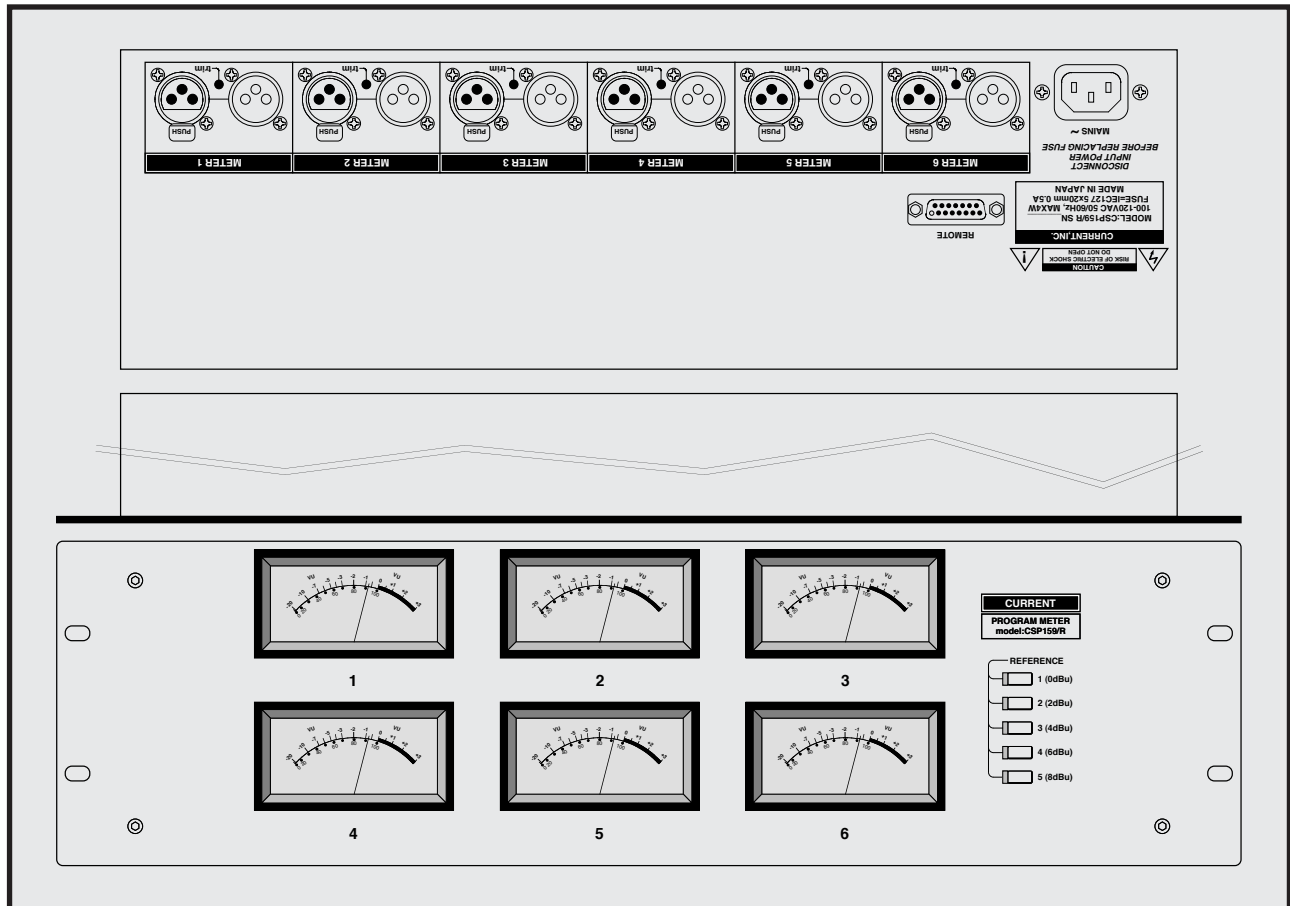


CURRENT PRODUCTS model:CSP159/R

PROGRAM METER



6ch
5 stages of reference levels
Precision VU meter unit
Throughout
19 inches 3U size

CSP159/R is a VU meter unit of 6 channels that 5 stages of reference levels are switchable. The results that are used in large-sized consoles to a meter unit and the quality adopt the sifam made of the highest grade. It implements sifam made to a VU meter unit, and, as for this component, the adoption results with the large size console are a lot of and highly precise. Moreover, it is beautiful and maintenance-free bulb-colored LED is mounted for the illumination of each meter. Moreover, it implements the throughout for each input of the rear panel.

"Audio input and output"

The audio input and output of CSP159/R is balanced XLR type connector, and the reference level is +4dBu. The through output connector is directly connected to with an input connector and allows input even from whichever. Moreover, it can change input impedance to 600 Ω with an internal switch.

"Reference level"

The standard reference level is 0dBu, +2dBu, +4dBu, +6dBu and +8dBu, but can change it at the time of an order. Moreover, it can make a reference select switch remote operational with an option.

"Trim"

The reference level of the VU meter is a trim located beside each input connector of the rear panel, and adjustment is possible to -20dBu to +20dBu. In addition, it

is adjusted to +4dBu in factory.

"Others"

It is possible for a reference level and the panel name to customize, and, in that case, plate-making charges are necessary separately. In addition, in the case of a desktop type, it provides in CSP159. (the upper diagram is CSP159R type.)



SPECIFICATIONS

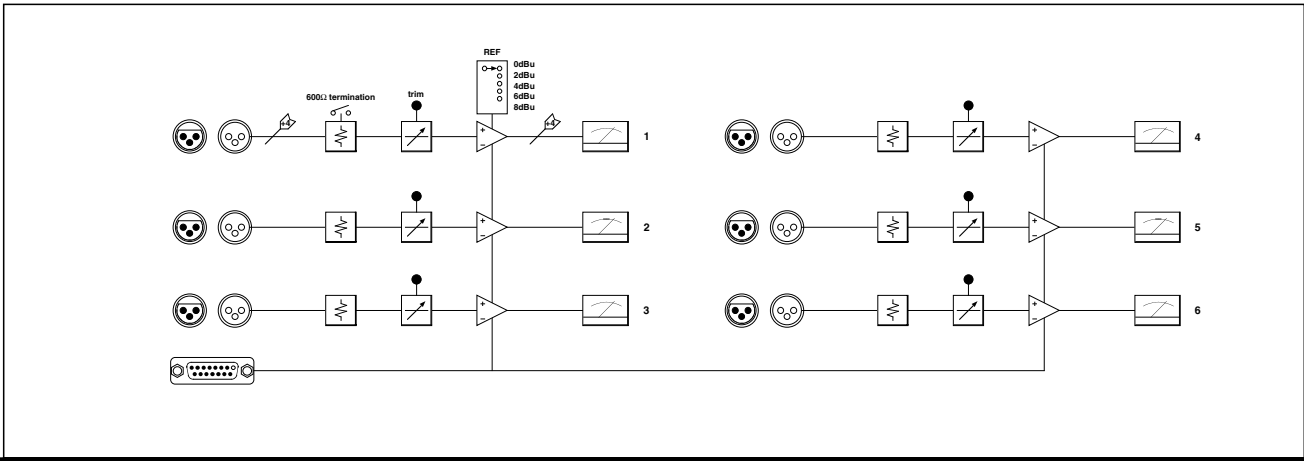
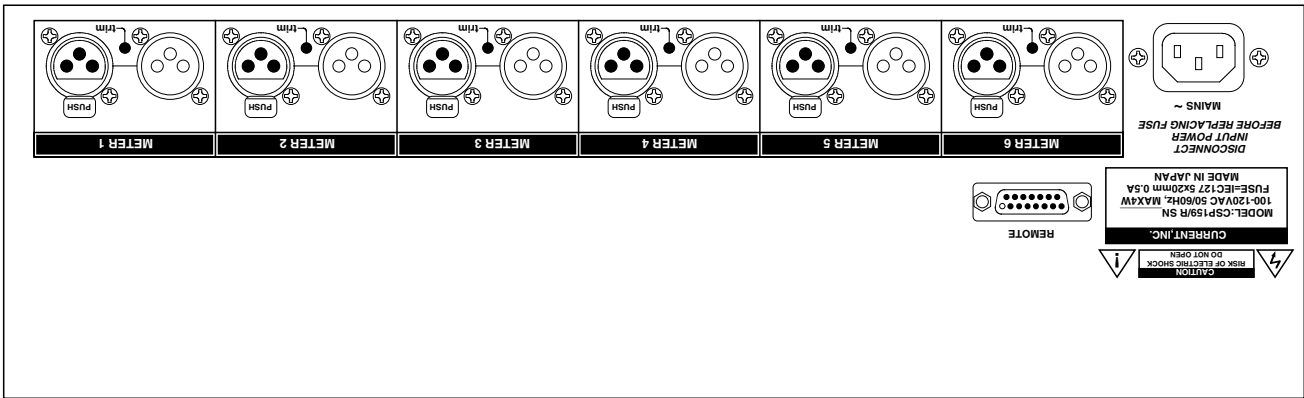
- 🍏 **INPUTS:** 20kΩ/600Ω, REF=+4dBu, MAX=+24dBu
- 🍏 **INPUT CONNECTOR:** XLR3-F
- 🍏 **THRU OUTPUT CONNECTOR:** XLR3-M
- 🍏 **REFERENCE:** 0dBu, 2dBu, 4dBu, 6dBu, 8dBu,
- 🍏 **TRIM@+4dBu:** -20dBu~+20dBu
- 🍏 **FREQUENCY RESPONSE:** 20Hz~20kHz +/-0.5dB
- 🍏 **METERS:** SIFAM R22AF/AL29WF Internal LED Lamp
- 🍏 **REMOTE CONNECTOR:** D15-F(#4-40)
- 🍏 **MAINS:** 100VAC 50/60Hz MAX=6W
- 🍏 **CSP159R DIMENSIONS:** 482Wx132Hx153D, 5kg
- 🍏 **CSP159 DIMENSIONS:** 438Wx132Hx153D, 5kg

Rack mount	CSP159R	¥450,000
No mount angle	CSP159	¥450,000
Custom silk print		¥64,000

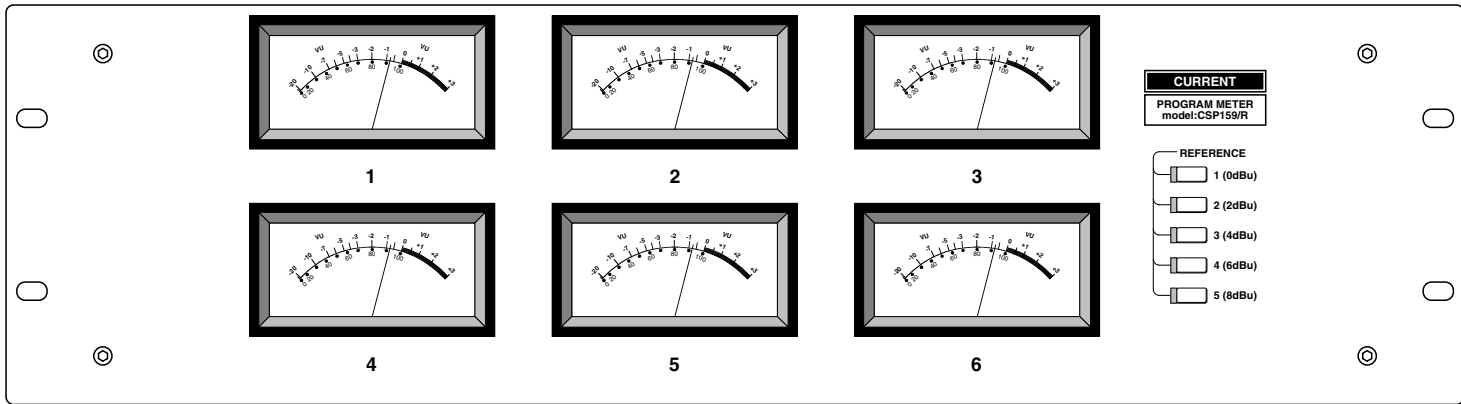
accessory : AC cable

The specifications are subject to change without notice.
2-26-11 AKATSUTSUMI, SETAGAYA-KU, TOKYO, 156-0044 JAPAN

MONITOR SYSTEM
HEADPHONES AMP
CUE SYSTEM
COMMUNICATION
TB. TROUGH SYSTEM
MATRIX AMP
AUDIO ROUTER
AUDIO VIDEO
SWITCHER
SYSTEM SWITCHER
EMERGENCY
AUDIO VIDEO
DISTRIBUTOR
METER SYSTEM
ANALOG, DIGITAL
PREAMP MIXER
LEVEL UNIT
DIGITAL AUDIO
FADER UNIT
AUTO FADER
TALLY FADER
CLOCK TIMER
EVENT SYSTEM
SPECIAL PRODUCTS
ETC.



152.6



132.0

482.0

(c)CURRENT, INC.	PROGRAM METER CSP159	Nov.2010
H.ICHIHASHI	PANEL DIAGRAM	Sep.2002
		CSP159-D

CSP159/R "Remote" Dsub15-F (#4-40) Connector Pin List

Ribbon	Hard	Signal name	Designation	Active
1	1	SW COM	SWITCHES COMMON	0V
2	9	LP COM	LAMPS COMMON	+12V
3	2	S-GV1	GAIN SWITCH 1	0V
4	10	B-GV1	GAIN SWITCH LAMP 1	0V
5	3	S-GV2	GAIN SWITCH 2	0V
6	11	B-GV2	GAIN SWITCH LAMP 2	0V
7	4	S-GV3	GAIN SWITCH 3	0V
8	12	B-GV3	GAIN SWITCH LAMP 3	0V
9	5	S-GV4	GAIN SWITCH 4	0V
10	13	B-GV4	GAIN SWITCH LAMP 4	0V
11	6	S-GV5	GAIN SWITCH 5	0V
12	14	B-GV5	GAIN SWITCH LAMP 5	0V
13	7	S-SPARE	SPARE SWITCH	0V
14	15	B-SPARE	SPARE LAMP	0V
15	8	NC	NC	

注意！

Dサブコネクタの接続はHardピン番号で接続してください。

取付ビスは# 4 - 40インチビスを使用して下さい。

CAUTION! D-Connector for wiring refer to Hard pin number Description.

Mounting screw for D-connector use #4-40 screw.