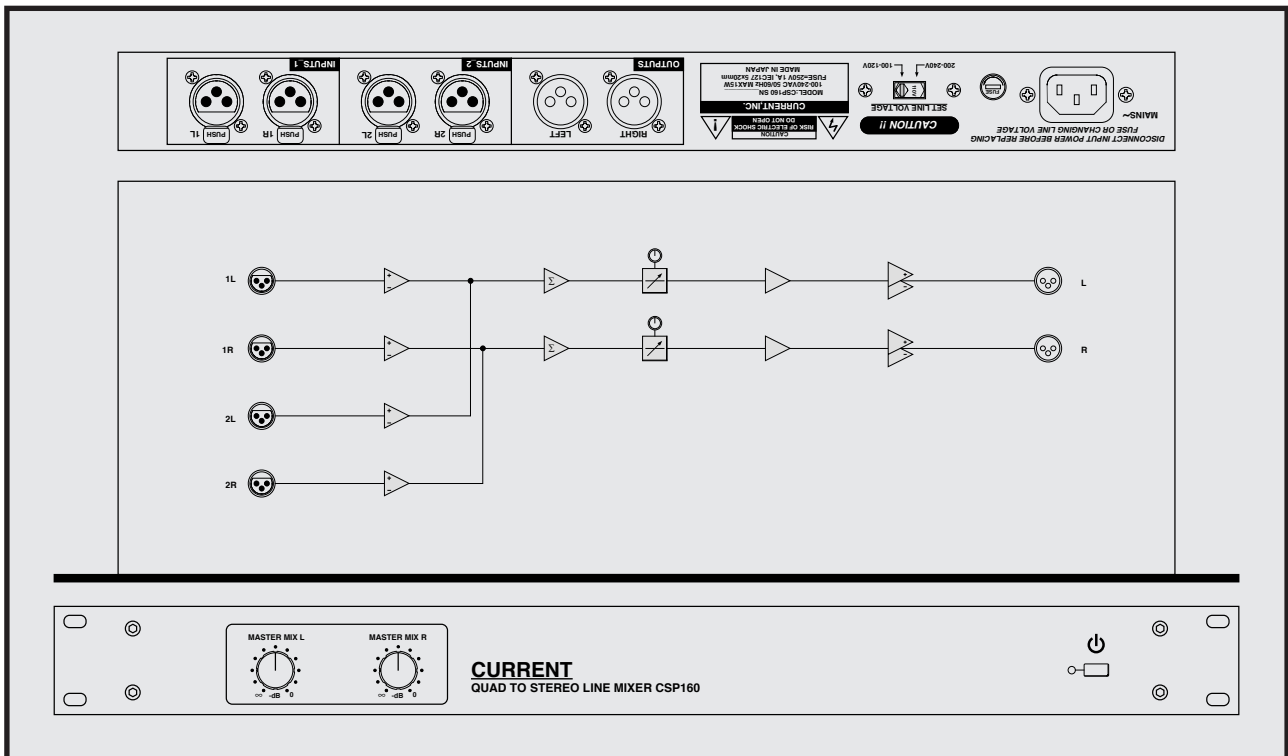


CURRENT PRODUCTS model:CSP160

QUAD TO STEREO LINE MIXER



2 stereos to one
 Super low noise
 It is most suitable for 4ch microphone preamplifier
 All the world AC voltage support
 19 inches 1U size

CSP160 is a line mixer to mix 2 stereo source without spoiling original sound to one. It is configured with high-quality sound parts selected carefully and is the mixer which is most suitable for the cases that want to gather up QUAD source such as the 4ch microphone preamplifier in STEREO.

"Front panel"

To front panel of CSP160, a left and right independent master trim of the conception same as a general mixing console is implemented. A maximum is 0dB, but can increase a gain by the specification at the time of the order.

"Power supply"

CSP160 can support all the world AC power in the range of 240V from AC100V by switching a select switch of the rear panel and can show the best performance without preparing for conversion transformers in the overseas recordings.



SPECIFICATIONS

- 🍏 INPUTS IMPEDANCE: 24kΩ BALANCED
- 🍏 INPUTS LEVEL: REF=+4dBu, MAX=+24dBu
- 🍏 INPUTS CONNECTOR: XLR3-F
- 🍏 OUTPUTS IMPEDANCE: 50Ω BALANCED
- 🍏 OUTPUTS LEVEL: REF=+4dBu, MAX=+24dBu
- 🍏 OUTPUT CONNECTOR: XLR3-M
- 🍏 CONTROL: MASTER MIX LEVEL L&R
- 🍏 FREQUENCY RESPONSE: 20~20kHz ±0.1dB
- 🍏 THD: < 0.01% at REF LEVEL, 1KHz
- 🍏 NOISE LEVEL: < -90dBu
- 🍏 MAINS: 100-240VAC 50/60Hz, MAX=10W
- 🍏 DIMENSIONS: 482Wx44Hx303D 4Kg

Quad to Stereo mix	CSP160	¥248,000
accessory : AC cable		

DISCONNECT INPUT POWER BEFORE REPLACING FUSE OR CHANGING LINE VOLTAGE

MAINS~

SET LINE VOLTAGE

200-240V ~ 100-120V

CAUTION !!

RISK OF ELECTRIC SHOCK DO NOT OPEN

CAUTION

CURRENT, INC.

MODEL: CSP160 SN

100-240VAC 50/60Hz MAX15W

FUSE=250V 1A IEC127 5x20mm

MADE IN JAPAN

OUTPUTS

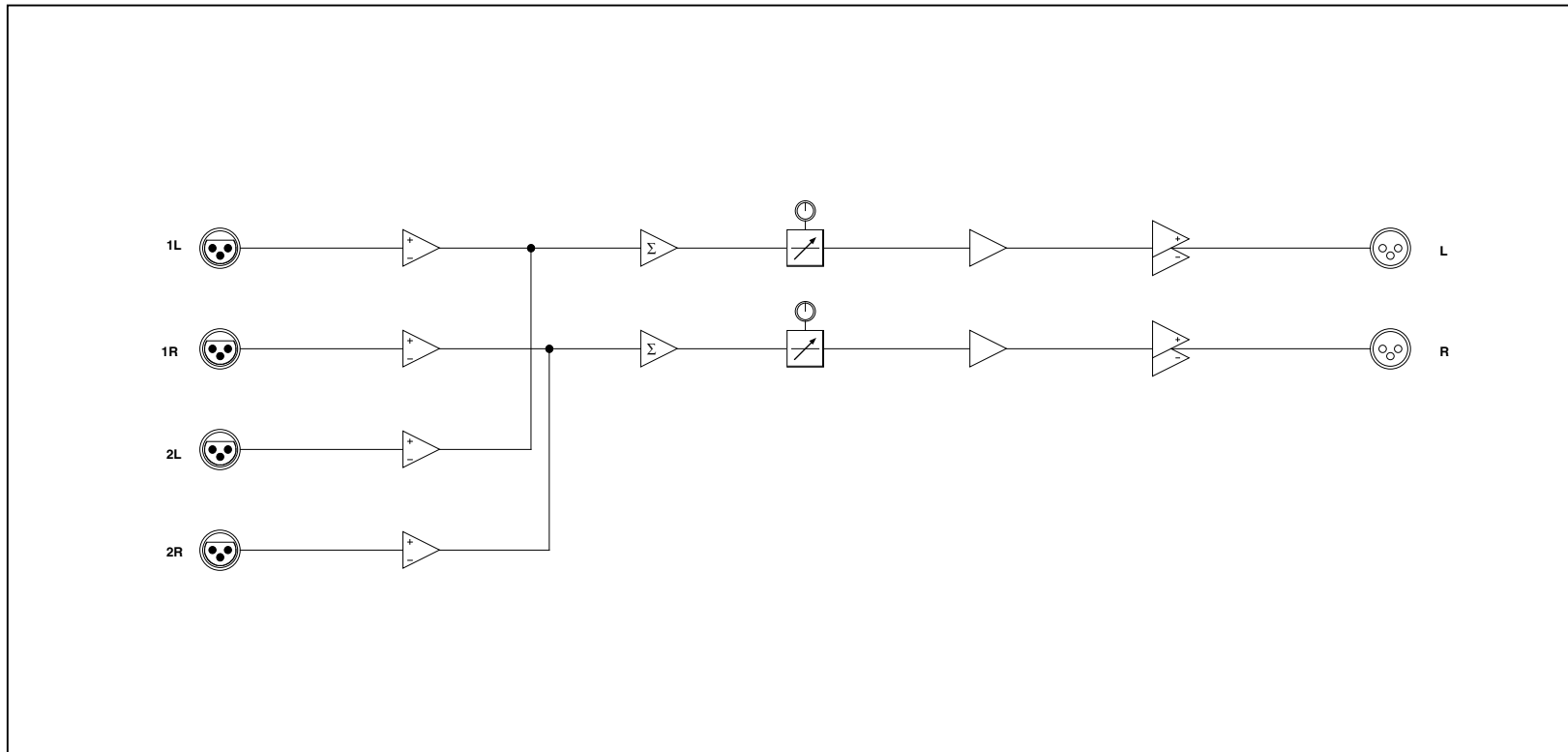
RIGHT LEFT

INPUTS 2

2R 2L

INPUTS 1

1R 1L



302.6

MASTER MIX L MASTER MIX R

CURRENT
QUAD TO STEREO LINE MIXER CSP160

44.0

482.0

Jun.2004

(c)CURRENT,INC.	QUAD TO STEREO LINE MIXER CSP160	DEC.2000
H.ICHIHASHI	PANEL DIAGRAM	CSP160-2004