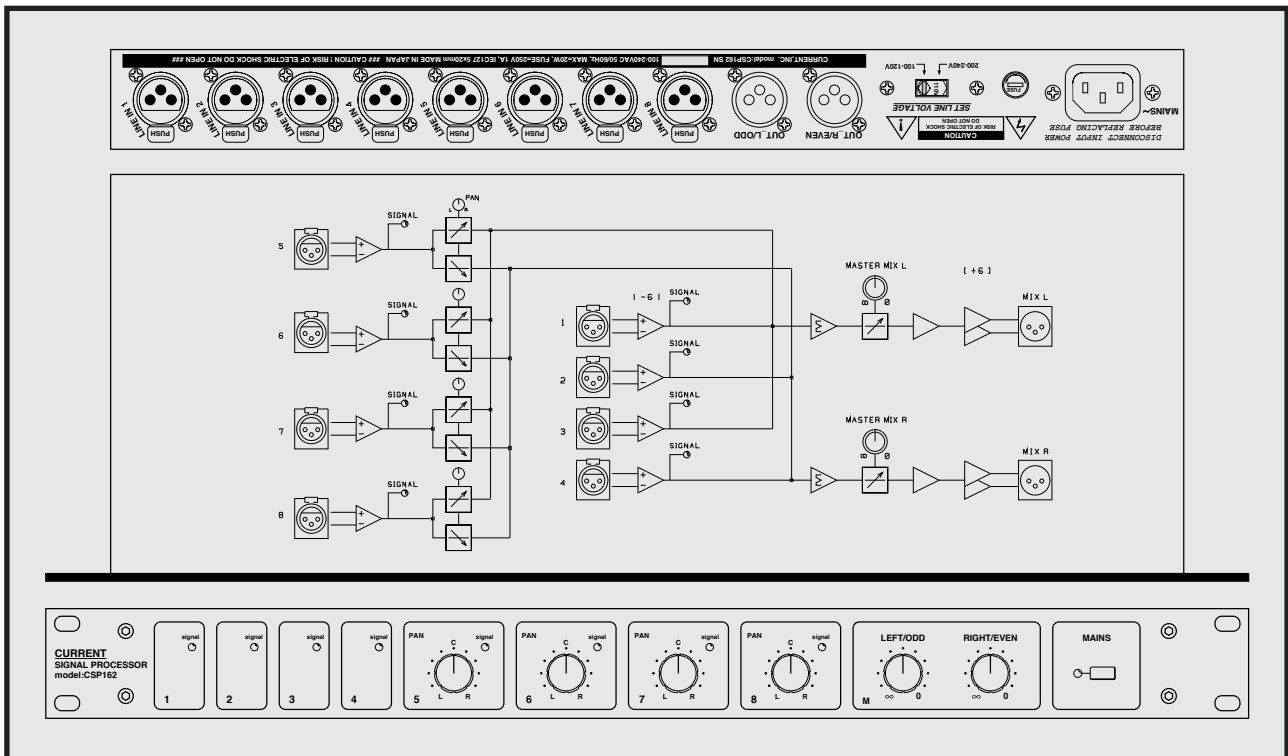


# CURRENT PRODUCTS model:CSP162

## SIGNAL PROCESSOR



Mix in 8 channel source of high quality  
 Most suitable to gather up microphone preamplifier  
 It is input signal indicator in each channel  
 19 inches 1U size  
 All the world voltage support

*It is the signal processor which was developed CSP162 mixes the source of 8 channels without losing original sound entirely, and to output it with a stereo. The ch1-4 mixes it with an odd and an even channel, and only 5-8 is sent to a master via panpot. It makes a signal pass simple, and CSP162 aiming at ideal mix is most suitable though it gathers up multiple microphone preamplifier.*

### "Input"

The input of CSP162 is a connector of the XLR type. It mixes 1, 3 channels at 1:1 and is sent to L of the master, and, likewise, 2 and the 4 channel are sent to R of the master, too. Additionally, 5-8 channels are sent to a master via panpot. An input signal of 1-4 channels is that it is sent to a master without going via level or Pan control entirely, and ideal mix not to lose original sound at all is possible.

### "Master"

Left and right is independent in masters, and level control is possible to 0 to infinite consecutively.

### "Others"

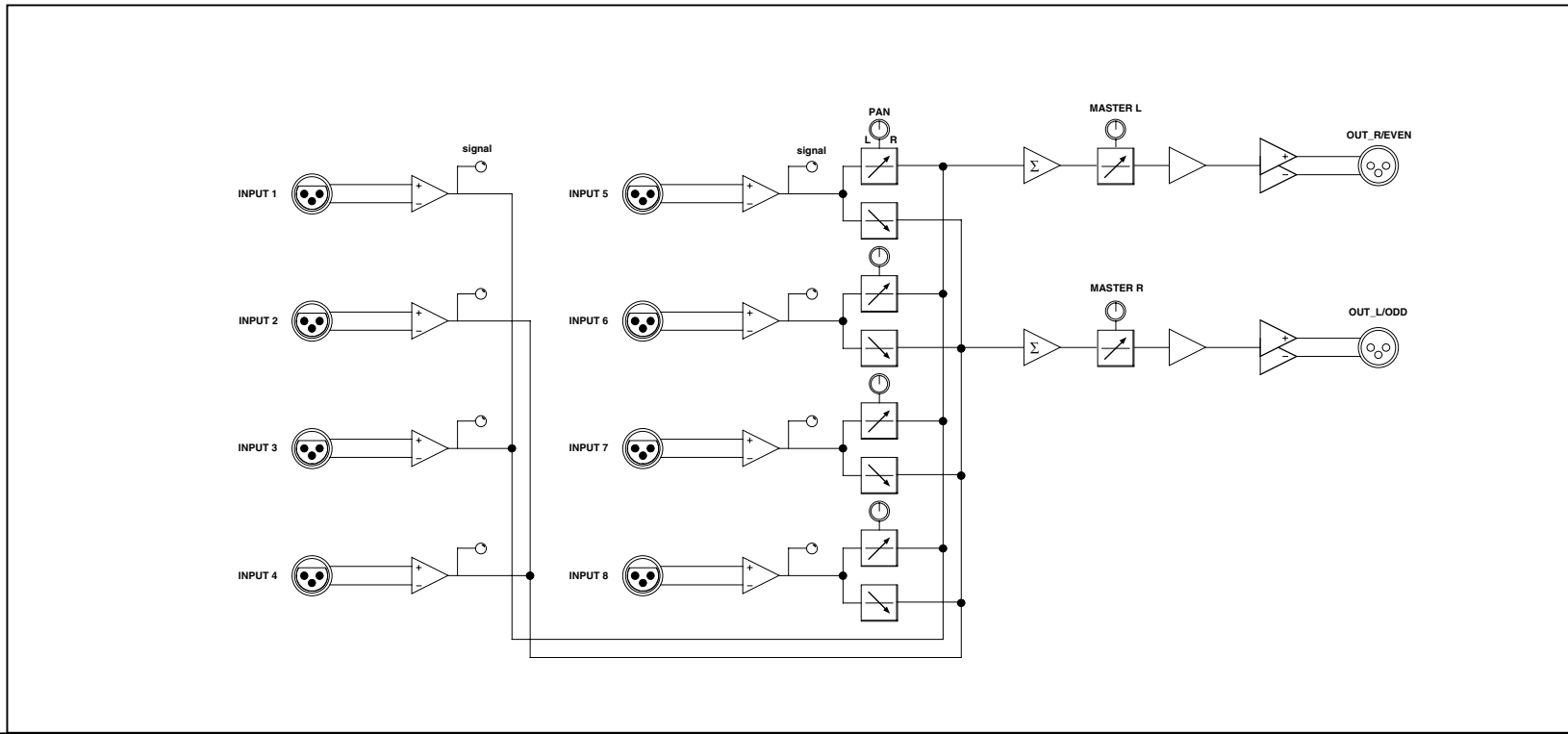
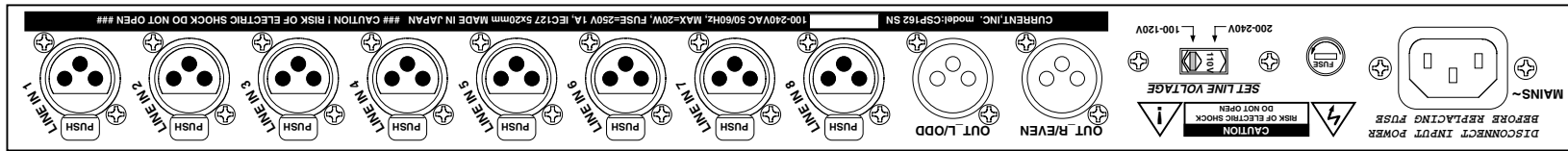
In signal indicator of the front panel, it can confirm the input signal which is higher than -16dBu (-20VU). Additionally, CSP162 can support in AC power of all the world of 100V - 240V by a switch of the rear panel.



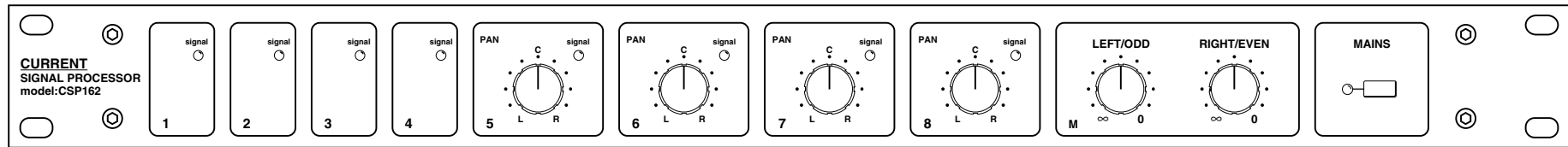
### SPECIFICATIONS

- 🍏 INPUTS IMPEDANCE: 24kΩ BALANCED
- 🍏 INPUTS REFERENCE LEVEL: REF=+4dBu, MAX=+24dBu
- 🍏 INPUTS CONNECTOR: XLR3-F
- 🍏 SIGNAL INDICATOR Threshold: -16dBu
- 🍏 OUTPUTS CONNECTOR: XLR3-M
- 🍏 OUTPUTS CHANNEL: LEFT(ODD) AND RIGHT(EVEN)
- 🍏 OUTPUTS IMPEDANCE: 33Ω BALANCED
- 🍏 OUTPUTS REFERENCE LEVEL: REF=+4dBu, MAX=+24dBu
- 🍏 OUTPUTS CONNECTOR: XLR3-M
- 🍏 MIX GAIN: 0dB
- 🍏 FREQUENCY RESPONSE: 20~20kHz ±0.1dB
- 🍏 THD: < 0.01% at 1kHz, REFERENCE LEVEL
- 🍏 NOISE LEVEL: < -90dBu
- 🍏 MAINS: 100-240VAC 50/60Hz, MAX 20W
- 🍏 DIMENSIONS: 482Wx44Hx303D, 4kg

Signal processor	CSP162	¥298,000
accessory : AC cable		



302.6



44.0

482.0

(c)CURRENT,INC.	<b>SIGNAL PROCESSOR CSP162</b>	Mar.2004
H.ICHIHASHI	<b>PANEL DIAGRAM</b>	MAY 96
		CSP162-D-2004