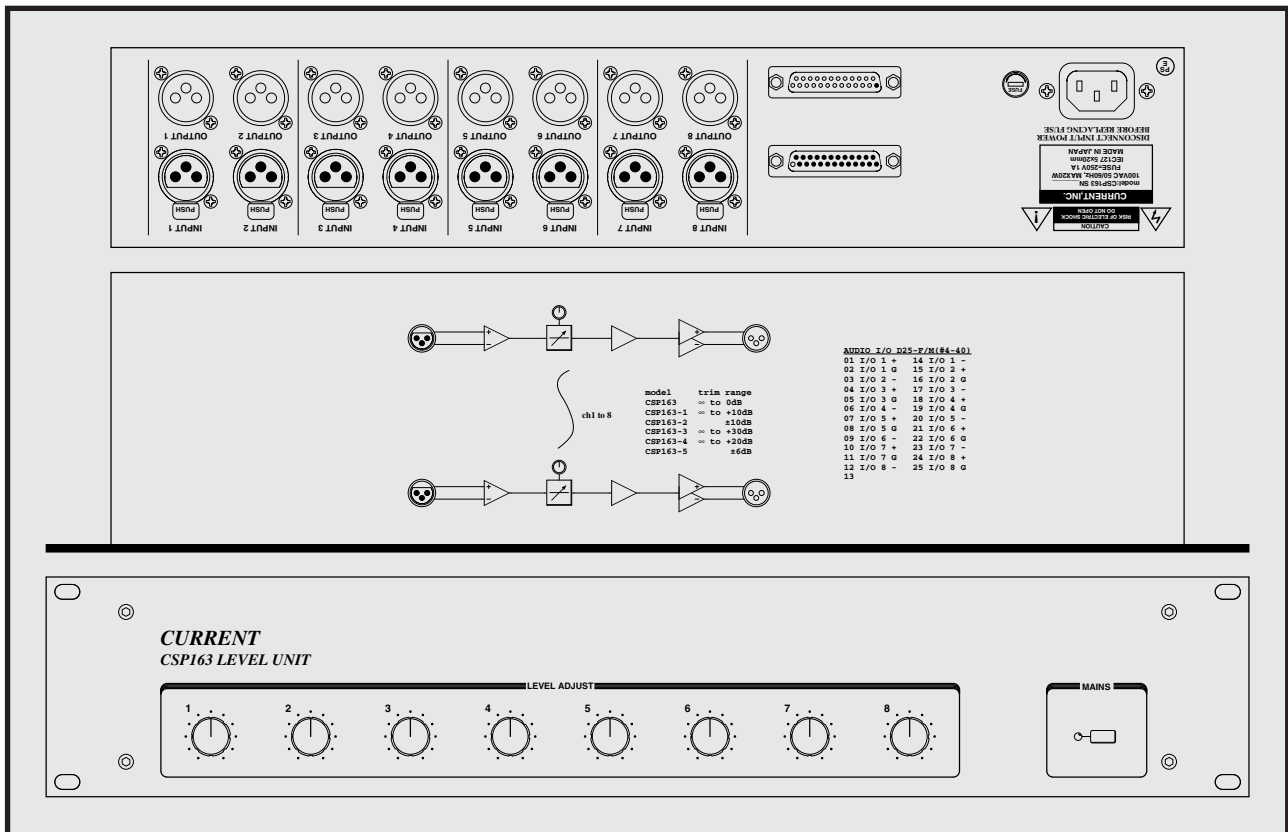


# CURRENT PRODUCTS model:CSP163

## 8:8 LEVEL UNIT



8ch level control  
 Low noise, high-quality sound  
 It is most suitable for revision of the line level  
 19 inches 2U size

**CSP163 is 8ch audio level control unit. The excellent circuit configuration follows input source faithfully and allows that it controls only a level and outputs it. It is most suitable for revision of every line level for simple circuit configuration.**

### "Input and output"

It is flexible to an input and output connector and adopts the XLR connector of the reliable gold-plated type and transmits the minute signal to faithfulness.

### "Control"

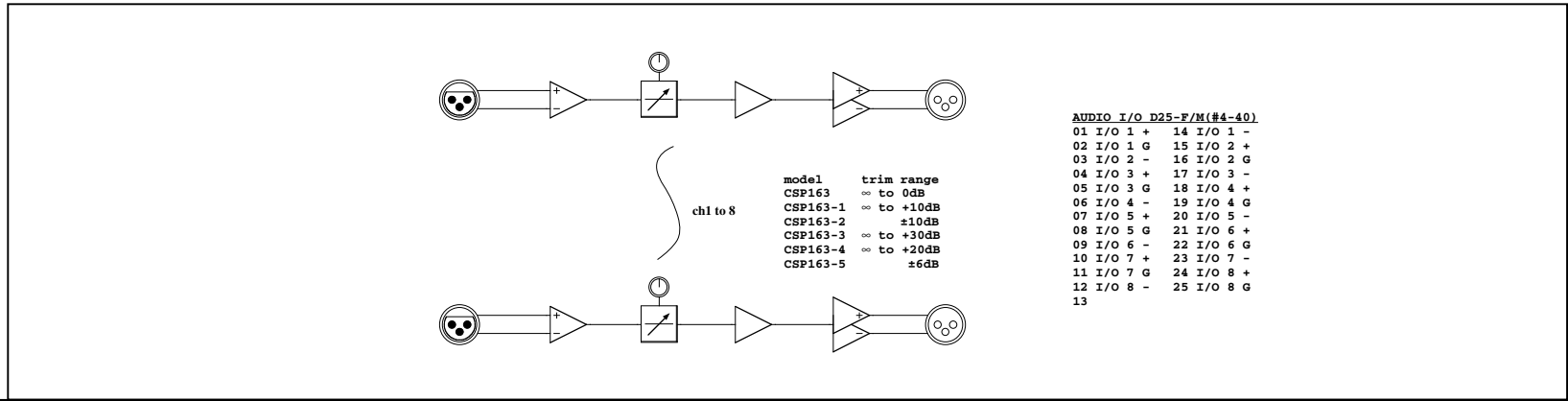
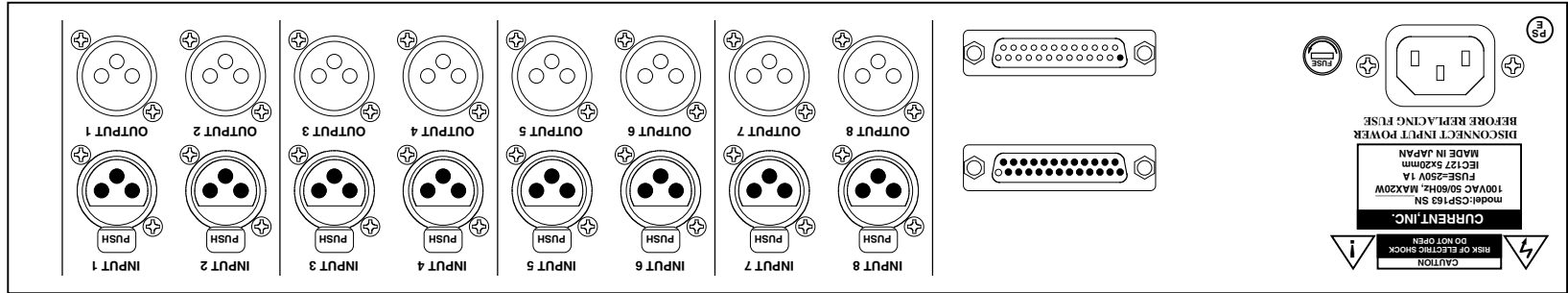
With a knob of the front panel of CSP163, it can control the level of each channel to 0 - infinite repetition. Please refer about the change of the gain setting. For example, it is a maximum gain of +10dB, maximum attenuation of the -20dB.



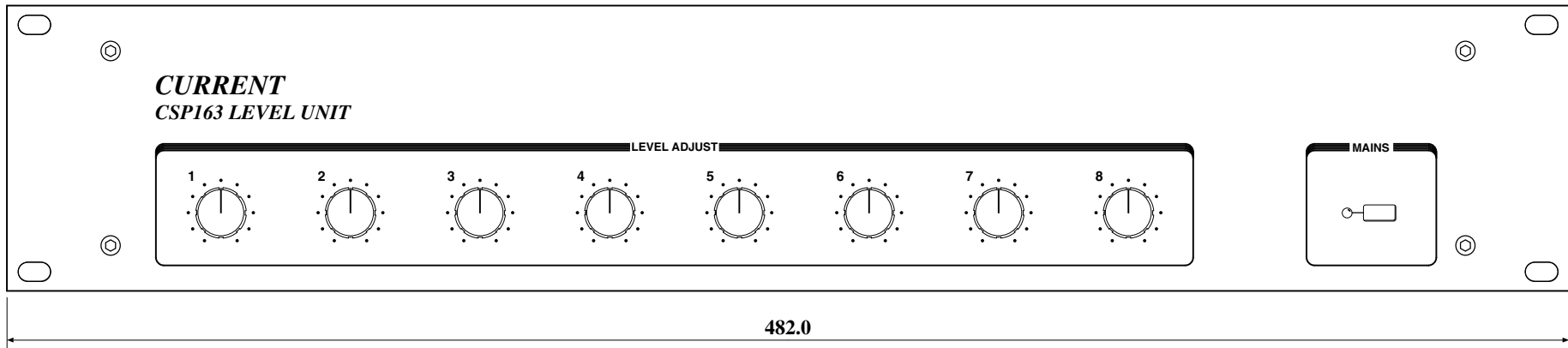
### SPECIFICATIONS

- 🔊 **INPUTS:** 8, BALANCED, 12kΩ
- 🔊 **INPUT REFERENCE LEVEL:** +4dBu, max +24dBu
- 🔊 **INPUTS CONNECTOR:** XLR3-F
- 🔊 **OUTPUTS:** 8, 50Ω BALANCED
- 🔊 **OUTPUT REFERENCE LEVEL:** +4dBu, max +24dBu
- 🔊 **OUTPUTS CONNECTOR:** XLR3-M
- 🔊 **FREQUENCY RESPONSE:** 20~20kHz ±0.1dB
- 🔊 **THD:** < 0.01% at 1kHz, REFERENCE LEVEL
- 🔊 **NOISE LEVEL:** < -90dBu
- 🔊 **MAINS:** 100VAC 50/60Hz, MAX 15W
- 🔊 **DIMENSIONS:** 482Wx88Hx303D, 5kg

|                         |          |          |
|-------------------------|----------|----------|
| Level unit (∞ to 0dB)   | CSP163   | ¥320,000 |
| Level unit (∞ to +10dB) | CSP163-1 | ¥320,000 |
| Level unit (±10dB)      | CSP163-2 | ¥320,000 |
| Level unit (∞ to +30dB) | CSP163-3 | ¥320,000 |
| Level unit (∞ to +20dB) | CSP163-4 | ¥320,000 |
| accessory : AC cable    |          |          |



302.6



88.0

482.0

|               |                       |                   |
|---------------|-----------------------|-------------------|
| CURRENT, INC. | 8:8 LEVEL UNIT CSP163 | Aug.2017          |
| H.ICHIHASHI   | PANEL DIAGRAM         | CSP163-D201- rev2 |