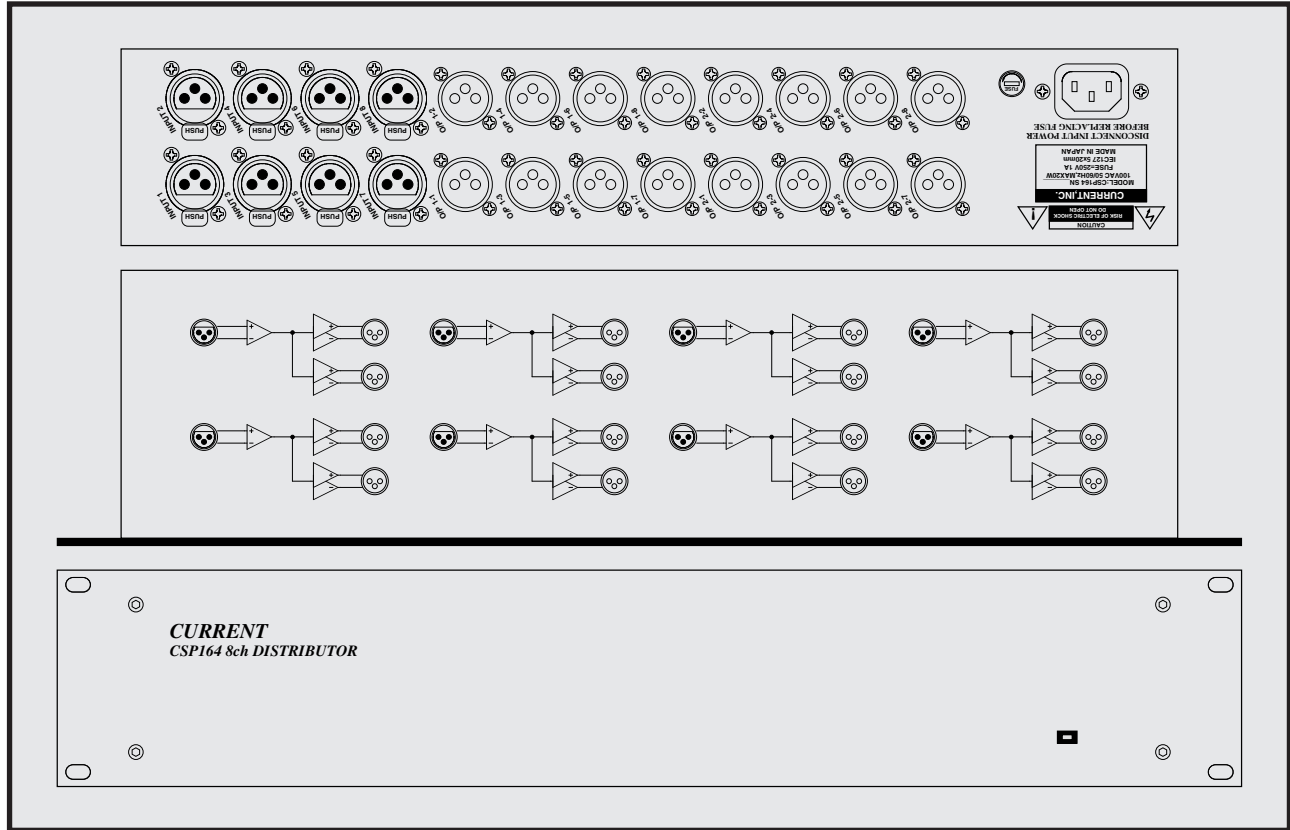


CURRENT PRODUCTS model:CSP164

1:2x8 DISTRIBUTOR



Two distributes 8 channel audios
 Super low noise
 High-quality sound
 Super low distortion
 19 inches 2U size

CSP164 is the audio distributor which allows distribution to 2 routes without losing the essence of 8 input sources. It adopts the parts for exclusive use of the audio to use parts and outputs it without losing energy of the original sound. In addition, as for the XLR type that it adopted for input and output, with high reliability, and a contact area is large.

"Audio"

After it was buffered, the audio signal applied to CSP164 does balanced output at a level of 1:1 with the input. As for each input and output, a maximum level is the circuit configuration with the room of +24dBu.

"Input and output level"

It can change 0dB of the standard gain to the -6dB with the option at the time of the order.

"Others"

Please refer about the manufacturing of the distributor of different specifications.

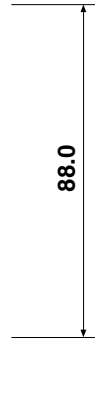
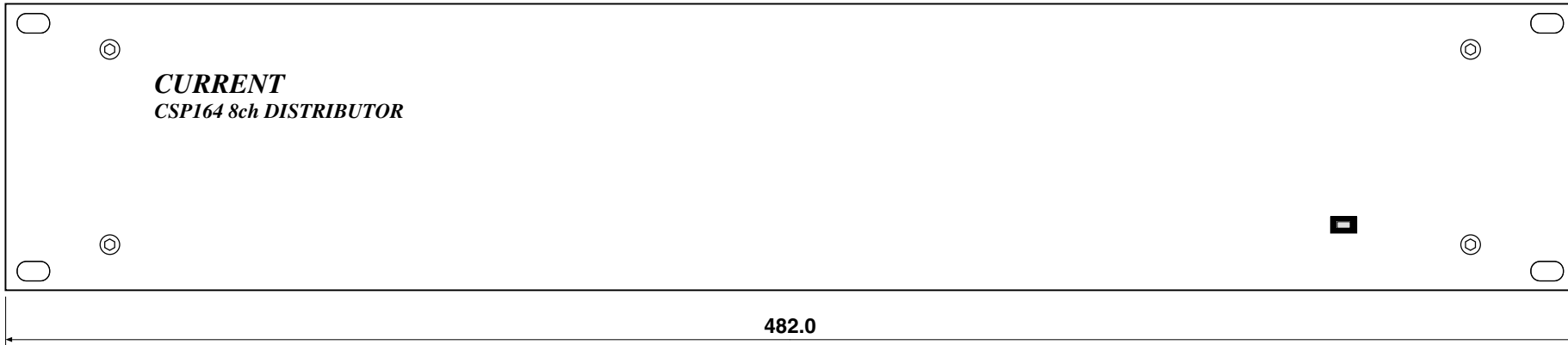
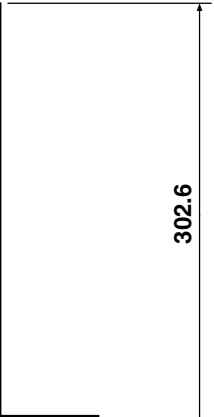
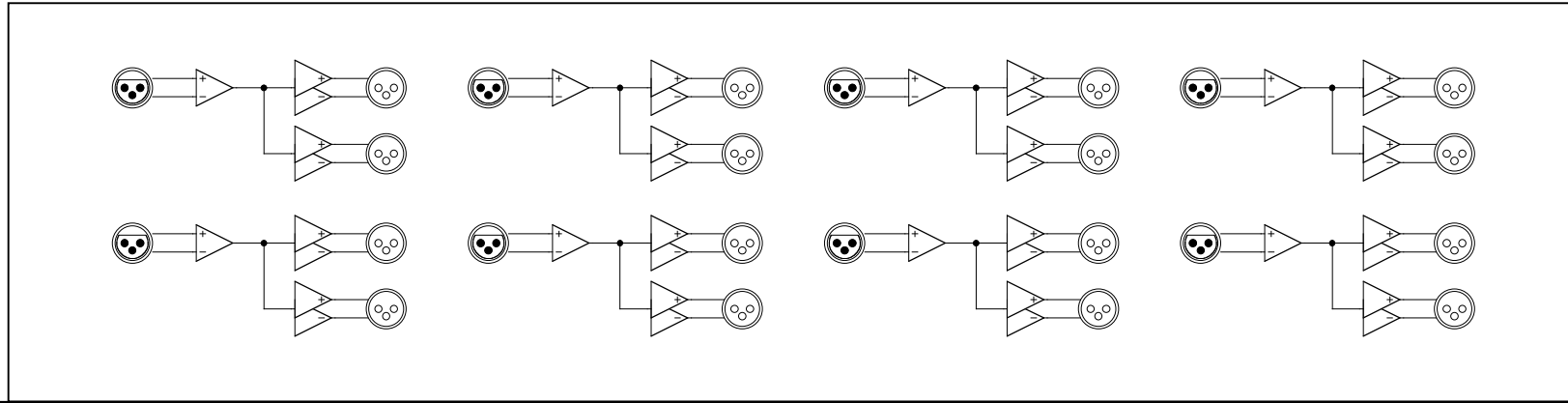
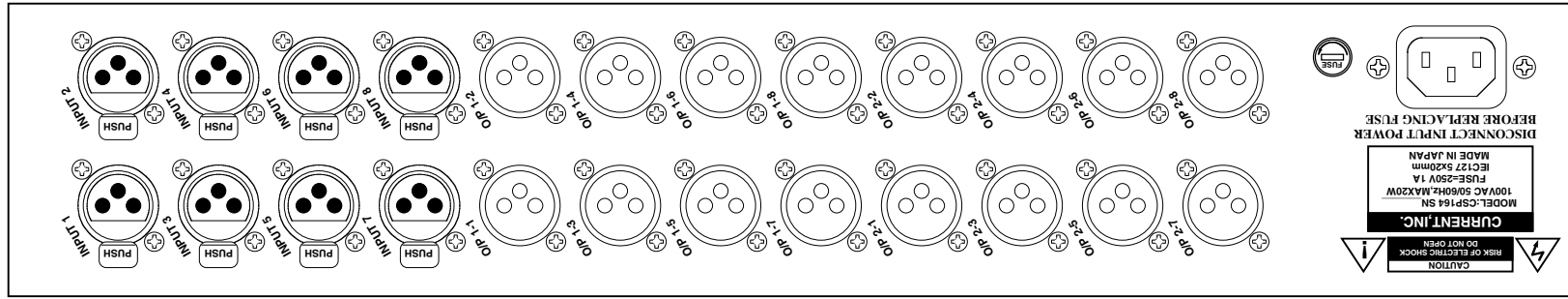


SPECIFICATIONS

- 🍏 **INPUTS:** 8CHANNEL, BALANCED, 12kΩ
- 🍏 **CONNECTOR:** XLR3-F
- 🍏 **REFERENCE LEVEL:** +4dBu, MAX +24dBu
- 🍏 **OUTPUTS:** BALANCED 50Ω
- 🍏 **OUTPUTS REFERENCE LEVEL:** +4dBu, MAX +24dBu
- 🍏 **CONNECTOR:** XLR3-M
- 🍏 **FREQUENCY RESPONSE:** 10Hz-100kHz ±0.1dB
- 🍏 **THD:** < 0.002% at 1kHz REFERENCE LEVEL
- 🍏 **NOISE:** < -90dB
- 🍏 **MAINS:** 100VAC 50/60Hz 15W(MAX)
- 🍏 **DIMENSIONS:** 482Wx88Hx303D 5.5kg

1:2x8 Distributor	CSP164	¥398,000
accessory : AC cable		

The specifications are subject to change without notice.
 2-26-11 AKATSUTSUMI, SETAGAYA-KU, TOKYO, 156-0044 JAPAN



482.0

CURRENT, INC.	8ch DISTRIBUTOR CSP164	APR. 97
H. ICHIHASHI	PANEL DIAGRAM	CSP164-D

Feb. 2004