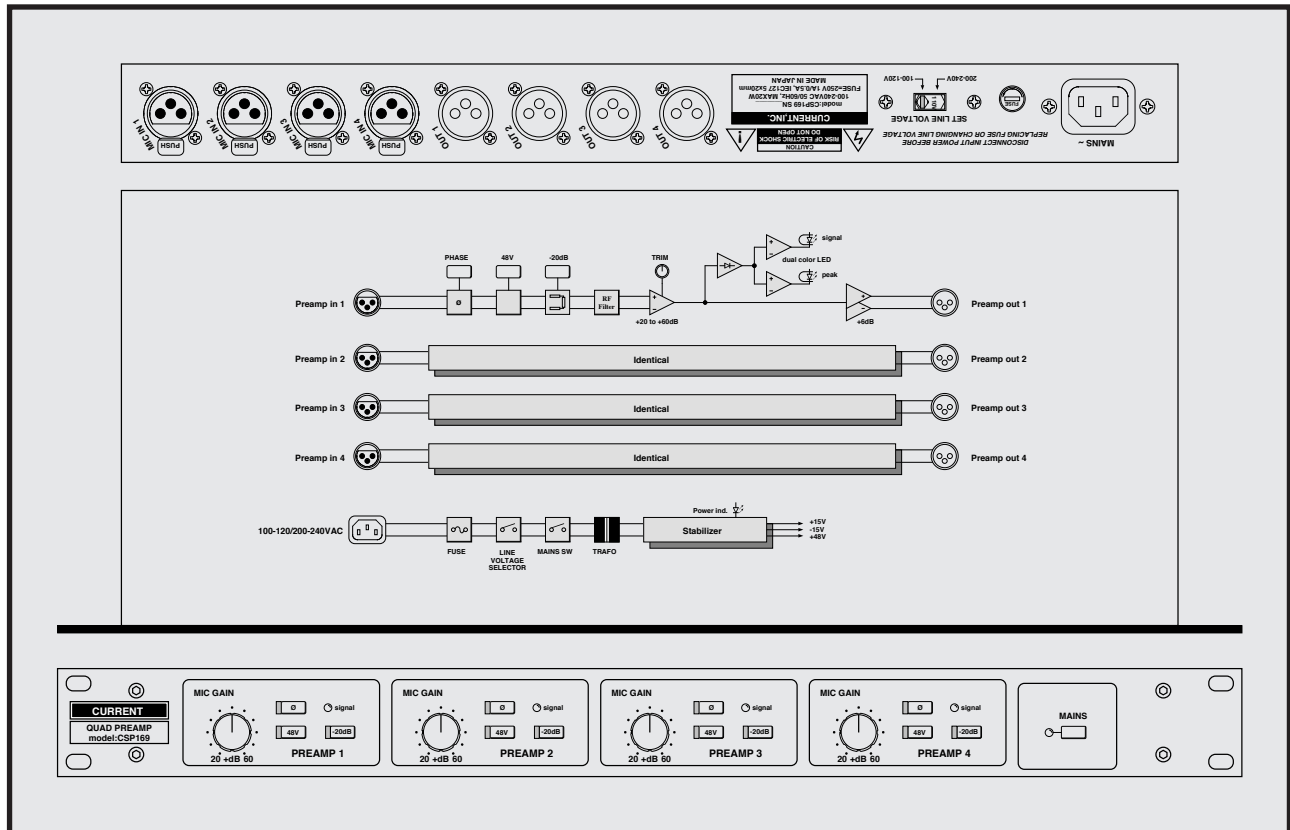


CURRENT PRODUCTS model:CSP169

QUAD PREAMP



4ch microphone preamplifier
 +20dB to +60dB continuation variable gain
 48V phantom power built-in
 -20dB pad
 change over switch
 Signal and peak indicator
 19 inches 1U size

CSP169 is 4ch microphone preamplifier of 19 inches 1U size developed for excellent S/N and high-quality sound. The transparent sound without the coloring can transmit to a recording medium without losing a feeling of the original sound energy and a delicate sound. Moreover, it does not prevent pure transmission because it uses all a relay for control of the preamplifier.

"Control"

It is provided for each channel of CSP169 a change over switch, a 48V phantom switch, 20dB pad switch, mic gain trim, and, as for the microphone gain, it is possible for a variable to be continuous to +20dB to +60dB.

"Indication"

CSP169 implements a signal indicator of 2 color as an output monitor of the preamplifier. When the preamplifier output is less than +20dBu, it turns on with green and turns on with red further.

"Others"

CSP169 can supply +48V as a power supply for condenser microphones, and, as for the power supply having a lot of it, the drive has room when

it uses a microphone of 4 big power dissipation. Moreover, the power supply of CSP169 can support AC power of 100-240V by a switch of the rear panel.



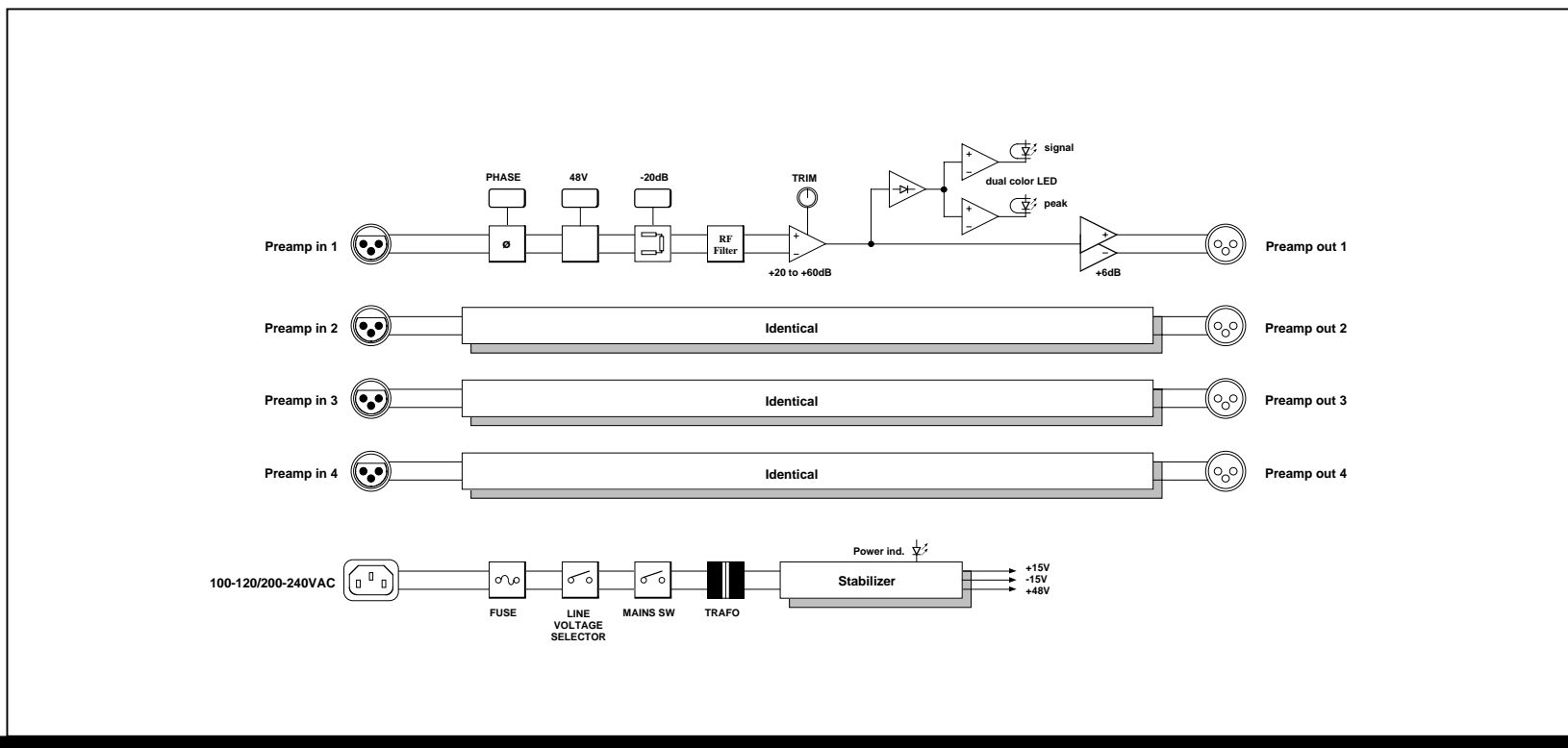
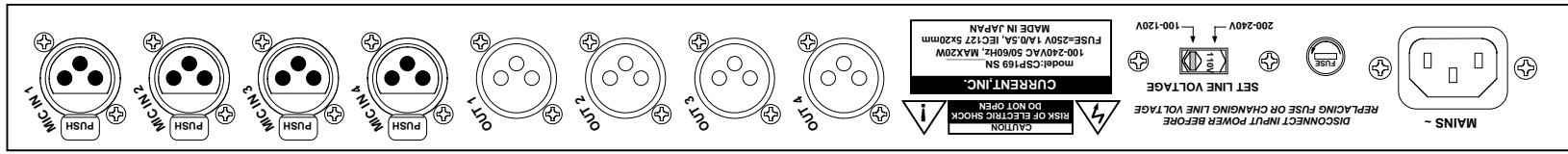
SPECIFICATIONS

- 🍏 **PREAMP CHANNEL:** 4 CHANNEL
- 🍏 **INPUTS CONNECTOR:** XLR3-F
- 🍏 **OUTPUTS CONNECTOR:** XLR3-M
- 🍏 **INPUT IMPEDANCE:** 1.8kΩ
- 🍏 **OUTPUT IMPEDANCE:** 50Ω
- 🍏 **MAX INPUT LEVEL:** +20dBu (-20dB PAD)
- 🍏 **MAX OUTPUT LEVEL:** +24dBu
- 🍏 **REF. OUTPUT LEVEL:** +4dBu
- 🍏 **FREQUENCY RESPONSE:** 10~100kHz ±0.1dB
- 🍏 **THD:** < 0.002% at 1kHz, REFERENCE LEVEL (20-20kHz unweighted)
- 🍏 **E.I.N.:** < -128dBu at 60dB gain (20-20kHz unweighted)
- 🍏 **CONTROL:** Ø REVERSE, -20dB PAD, 48V PHANTOM, MIC GAIN
- 🍏 **DISPLAY:** SIGNAL & O/L LED
- 🍏 **MAINS:** 100-240VAC 50/60Hz, MAX 20W (100-120V, 200-240V)
- 🍏 **DIMENSIONS:** 482Wx44Hx303D, 4kg

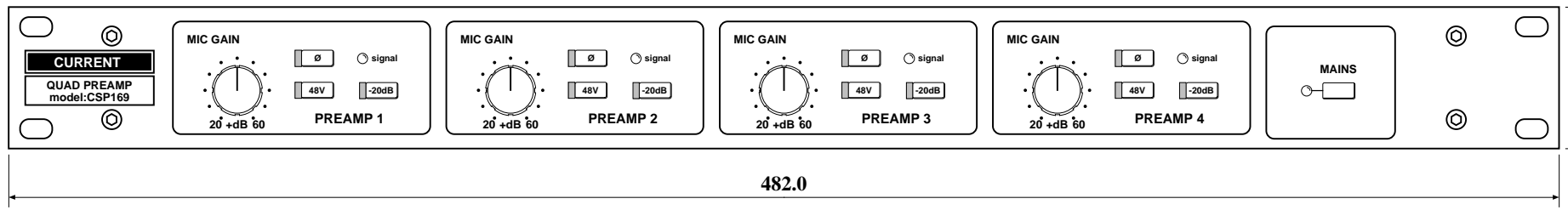
Quad preamp	CSP169	¥298,000
accessory : AC cable		

The specifications are subject to change without notice.
 2-26-11 AKATSUTSUMI, SETAGAYA-KU, TOKYO, 156-0044 JAPAN

MONITOR SYSTEM
 HEADPHONES AMP
 CUE SYSTEM
 COMMUNICATION
 TB, COUGH SYSTEM
 MATRIX AMP
 AUDIO ROUTER
 AUDIO VIDEO
 SWITCHER
 SYSTEM SWITCHER
 EMERGENCY
 AUDIO VIDEO
 DISTRIBUTOR
 METER SYSTEM
 ANALOG, DIGITAL
 PREAMP, MIXER
 LEVEL UNIT
 DIGITAL AUDIO
 FADER UNIT
 AUTO FADER
 TALLY FADER
 CLOCK, TIMER
 EVENT SYSTEM
 SPECIAL PRODUCTS
 ETC.



303



44.0

(c)CURRENT,INC.	QUAD PREAMP CSP169	APR. 96
H.ICHIHASHI	PANEL DIAGRAM	CSP169-D2005

Nov.2005