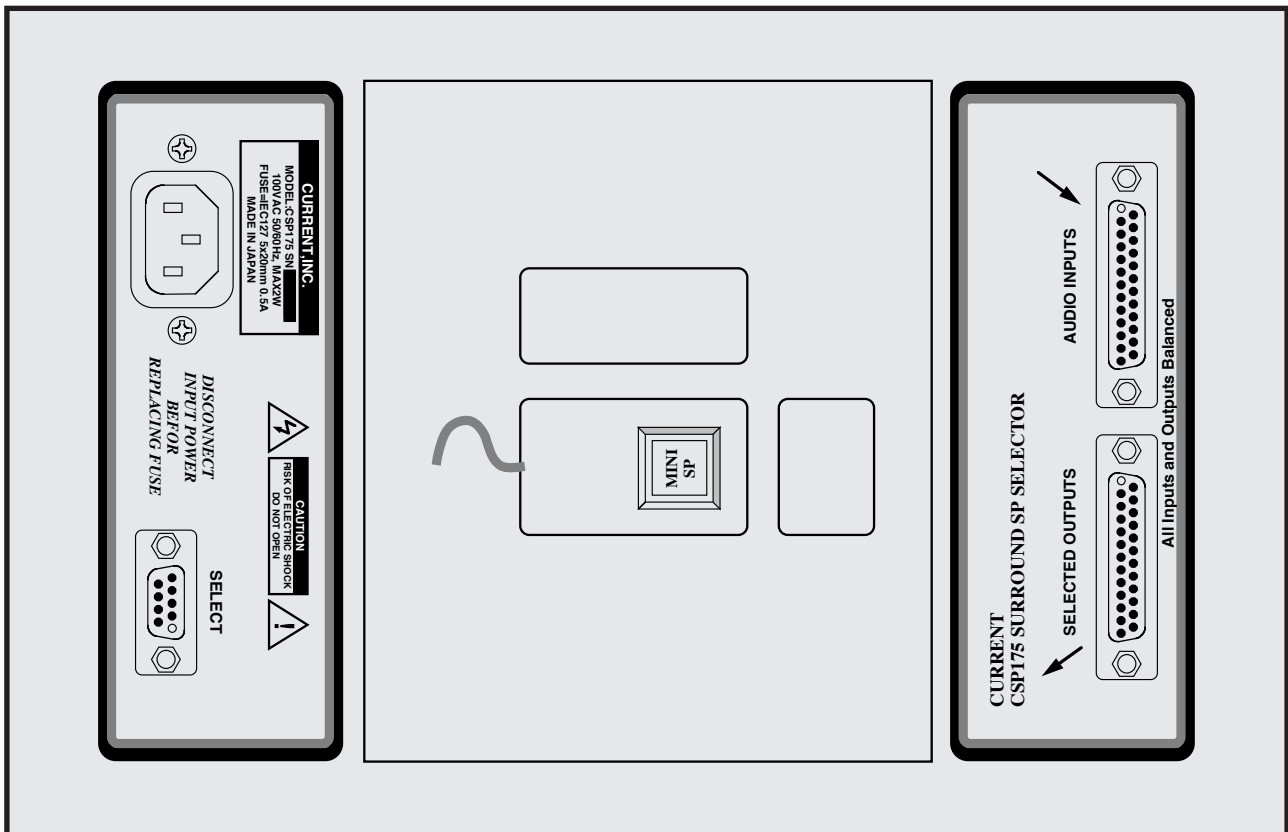


CURRENT PRODUCTS model:CSP175

SURROUND MONITOR SELECTOR



Surround and mini-speaker
 6 input, 6+2 output
 Remote switch
 High-quality sound
 Compact

CSP175 is monitor selector switching surround speaker and stereo mini-speaker with one switch at hand.

"Path"

It inputs surround source of 6ch and outputs the surround output and stereo mini-speaker of 6ch. It is using relay for signal switch, and high-grade switch without sound quality deterioration is possible.

"Control"

Switch with mini-speaker uses compact remote box. Attached remote cable is 5m by default.

"Others"

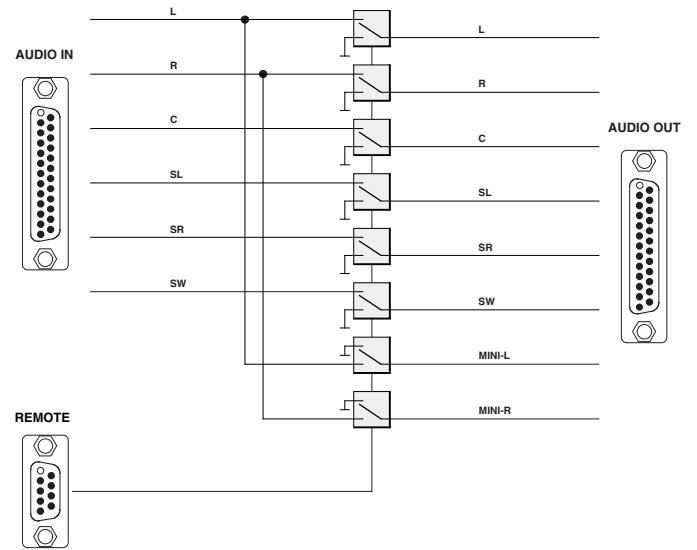
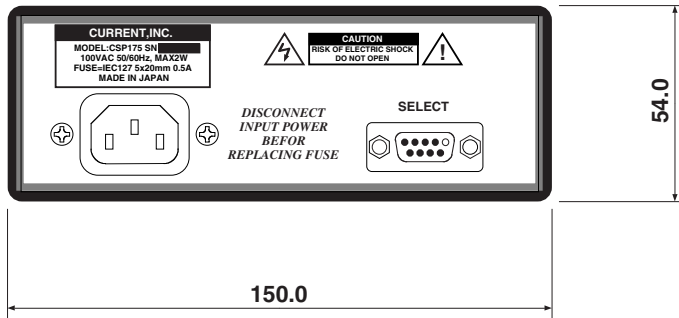
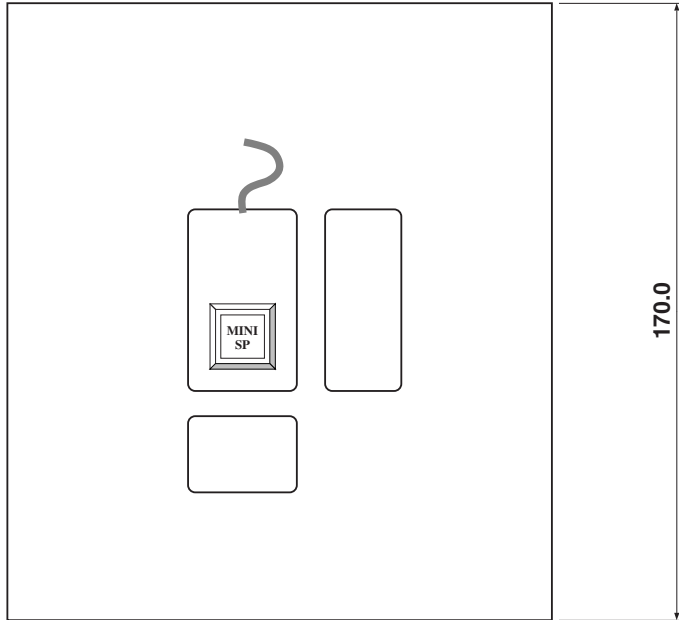
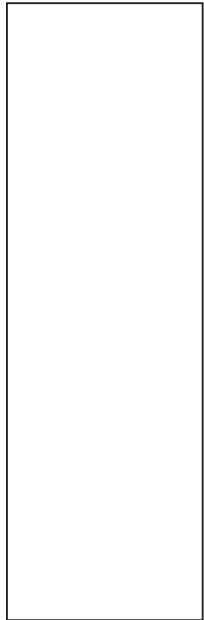
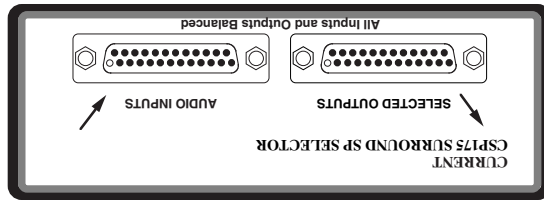
Please refer about manufacturing with switch format of non-standard and i/o cable. Additionally, please consider together in SL902 of 8ch which cut with remote and monitor level control are possible.



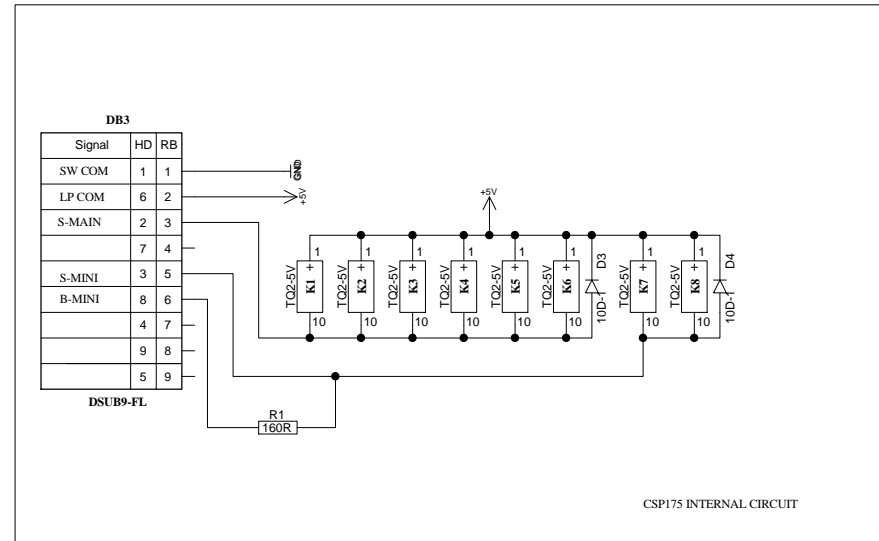
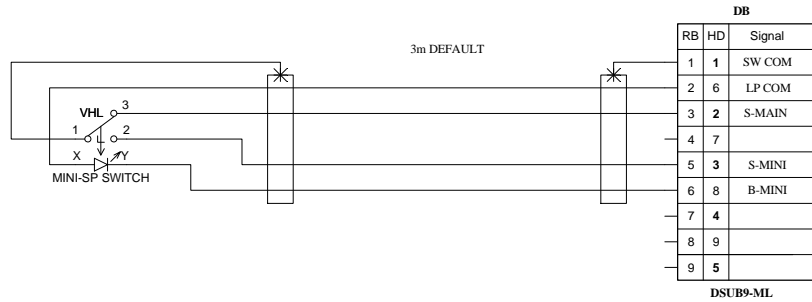
SPECIFICATIONS

- 🍏 **INPUTS:** BALANCED
- 🍏 **INPUTS CONNECTORS:** Dsub25-F #4-40
- 🍏 **OUTPUTS:** BALANCED
- 🍏 **OUTPUTS CONNECTORS:** Dsub25-F #4-40
- 🍏 **CONTROL:** MINI SP SELECT
- 🍏 **CONTROL CONNECTOR:** Dsub9-F #4-40
- 🍏 **MAINS:** 100VAC 50/60Hz MAX=2W
- 🍏 **Main unit:** 150WX54HX170D 0.8Kg
- 🍏 **Remote unit:** 30WX21HX50D 0.1Kg

Monitor selector	CSP173	¥96,000
accessory : AC cable, remote box (with cable 3m)		



(c)CURRENT,INC.	CSP175 SURROUND SP SELECTOR	Mar.2000
H.ICHIHASHI	PANEL DIAGRAM	CSP175-D



CSP175 "AUDIO INPUTS" D25-F(#4-40) Connector Pin List

Ribbon	Hard	Signal name	Designation	Active
1	1	LF +	AUDIO INPUT LF +	
2	14	LF -	AUDIO INPUT LF -	
3	2	LF 0	AUDIO INPUT LF 0	
4	15	RF +	AUDIO INPUT RF +	
5	3	RF -	AUDIO INPUT RF -	
6	16	RF 0	AUDIO INPUT RF 0	
7	4	C +	AUDIO INPUT C +	
8	17	C -	AUDIO INPUT C -	
9	5	C 0	AUDIO INPUT C 0	
10	18	LS +	AUDIO INPUT LS +	
11	6	LS -	AUDIO INPUT LS -	
12	19	LS 0	AUDIO INPUT LS 0	
13	7	RS +	AUDIO INPUT RS +	
14	20	RS 0	AUDIO INPUT RS -	
15	8	RS 0	AUDIO INPUT RS 0	
16	21	SW +	AUDIO INPUT SW +	
17	9	SW -	AUDIO INPUT SW -	
18	22	SW 0	AUDIO INPUT SW 0	
19	10	NC	none connection	
20	23	NC	none connection	
21	11	GND	GND	
22	24	NC	none connection	
23	12	NC	none connection	
24	25	GND	GND	
25	13	NC	none connection	
			注意！ Dサブコネクタの接続はHardピン番号で接続してください。	
			取付ビスは# 4 - 40 のサイズを使用して下さい。	
			CAUTION! D-Connector for wiring refer to	
			Hard pin number Description.	
			Mounting screw for D-connector use #4-40 size.	

CSP175 "SELECTED OUTPUTS" D25-F(#4-40) Connector Pin List

Ribbon	Hard	Signal name	Designation	Active
1	1	LF +	SELECTED OUTPUT LF +	
2	14	LF -	SELECTED OUTPUT LF -	
3	2	LF 0	SELECTED OUTPUT LF 0	
4	15	RF +	SELECTED OUTPUT RF +	
5	3	RF -	SELECTED OUTPUT RF -	
6	16	RF 0	SELECTED OUTPUT RF 0	
7	4	C +	SELECTED OUTPUT C +	
8	17	C -	SELECTED OUTPUT C -	
9	5	C 0	SELECTED OUTPUT C 0	
10	18	LS +	SELECTED OUTPUT LS +	
11	6	LS -	SELECTED OUTPUT LS -	
12	19	LS 0	SELECTED OUTPUT LS 0	
13	7	RS +	SELECTED OUTPUT RS +	
14	20	RS 0	SELECTED OUTPUT RS -	
15	8	RS 0	SELECTED OUTPUT RS 0	
16	21	SW +	SELECTED OUTPUT SW +	
17	9	SW -	SELECTED OUTPUT SW -	
18	22	SW 0	SELECTED OUTPUT SW 0	
19	10	MINI L +	SELECTED OUTPUT MINI L +	
20	23	MINI L -	SELECTED OUTPUT MINI L -	
21	11	MINI L 0	SELECTED OUTPUT MINI L 0	
22	24	MINI R +	SELECTED OUTPUT MINI R +	
23	12	MINI R -	SELECTED OUTPUT MINI R -	
24	25	MINI R 0	SELECTED OUTPUT MINI R 0	
25	13	NC	none connection	
			注意！ Dサブコネクタの接続はHardピン番号で接続してください。	
			取付ビスは# 4 - 40のビスを使用して下さい。	
			CAUTION! D-Connector for wiring refer to	
			Hard pin number Description.	
			Mounting screw for D-connector use #4-40 size.	

