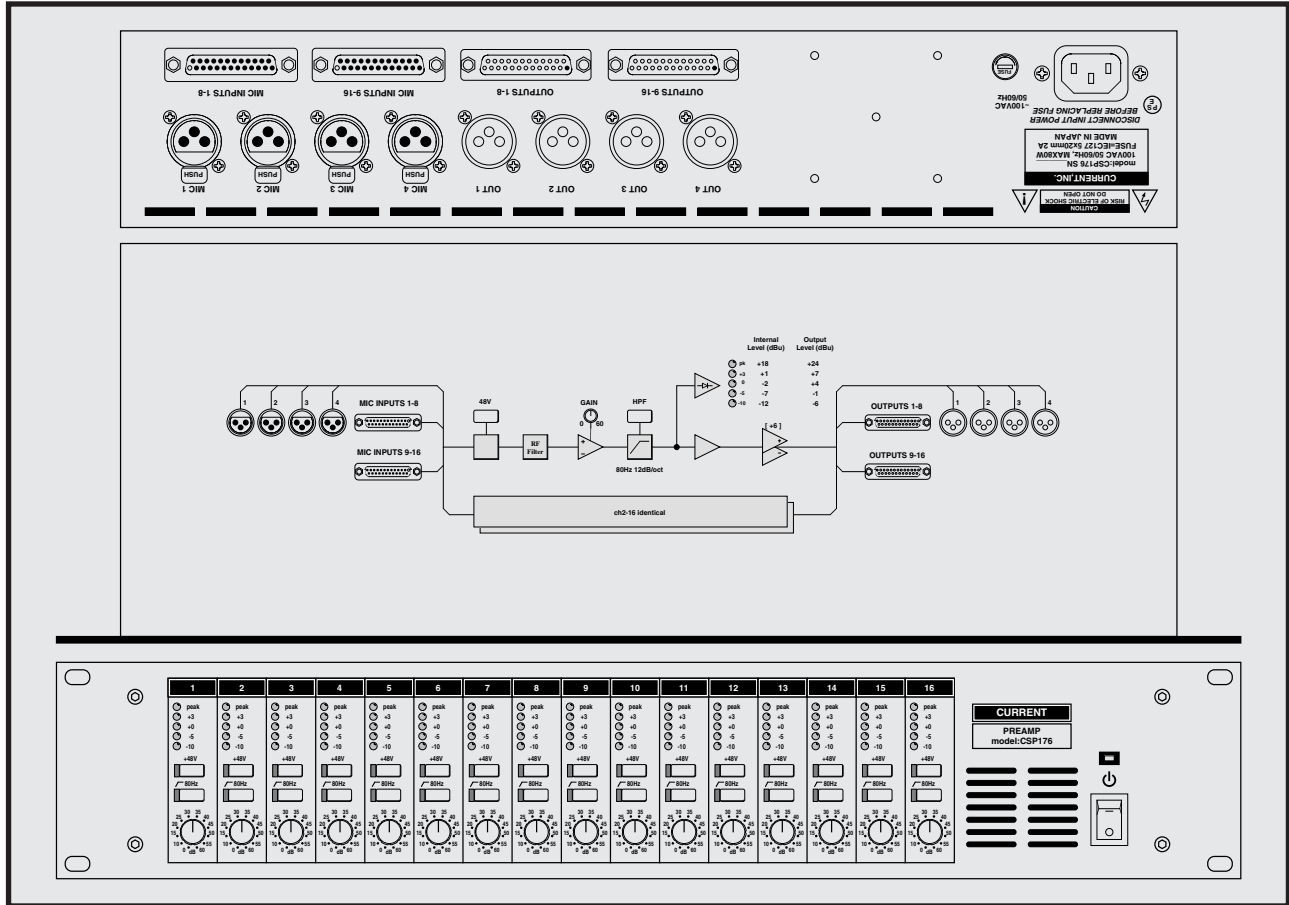


CURRENT PRODUCTS model:CSP176

PREAMP



16 channel microphone preamplifier
 0dB to +60dB step gain setting
 48V phantom power built-in, 80Hz HPF filter
 Signal and peak indicator, 19 inches 2U size

CSP176 is 16 channel microphone preamplifier of 19 inches 2U size configuration developed for the purpose of excellent S/N and high-quality sound. The transparent sound without the coloring can transmit to a recording medium without losing a feeling of the original sound energy and a delicate sound. Moreover, it does not prevent pure transmission because it uses all a relay for control of the preamplifier.

"Control"

It is provided for each channel of CSP176 48V phantom switch, 80Hz HPF and mic gain trim, and, as for the microphone gain, the setting that is accurate by 5dB step in the range of 0dB to +60dB is possible.

"Indication"

CSP176 implements a signal indicator for an output monitor of the preamplifier. It indicates it with 5 points of LED of the -10, -5, 0, +3 and peak. Output level turns on PEAK in +24dBu.

"Others"

The XLR connector that access is easy is implemented to Dsub connector of the

channel 1-4. Moreover, it can supply +48V as a power supply for condenser microphones. When it uses 16 large power dissipation microphones, the power supply drives having margin.

Mic in/Line out DSub25-F/M

01	1	+	14	1	-	02	1	GND
15	2	+	03	2	-	16	2	GND
04	3	+	17	3	-	05	3	GND
18	4	+	06	4	-	19	4	GND
07	5	+	20	5	-	08	5	GND
21	6	+	09	6	-	22	6	GND
10	7	+	23	7	-	11	7	GND
24	8	+	12	8	-	25	8	GND
13								

SPECIFICATIONS

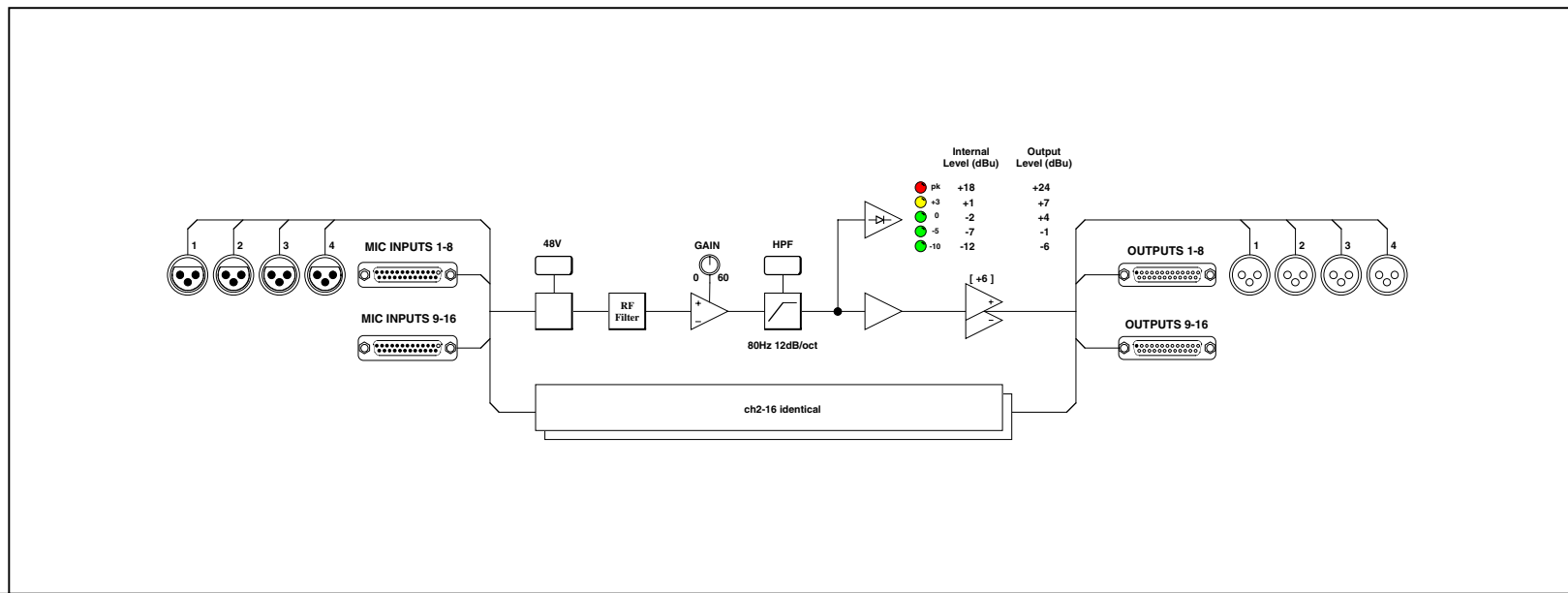
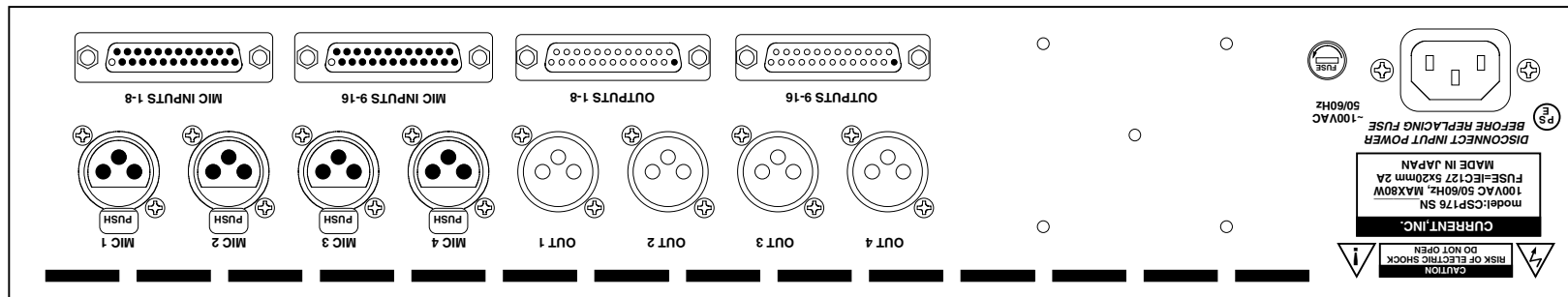
- PREAMP : 16 INPUTS : Dsub25-F(#4-40), XLR3-F(ch1-4)
- OUTPUTS : Dsub25-M(#4-40), XLR3-M(ch1-4)
- INPUT IMPEDANCE: 1.8kΩ OUTPUT IMPEDANCE: 50Ω
- MAX INPUT LEVEL: +20dBu MAX OUTPUT LEVEL: +24dBu
- FREQUENCY RESPONSE: 10-100kHz ±0.1dB
- THD: < 0.01% at 1kHz, REFERENCE LEVEL (20-20kHz unweighted)
- E.I.N.: < -128dBu at 60dB gain (20-20kHz unweighted)
- CONTROL: +48V, HPF, MIC GAIN DISPLAY: SIGNAL & PEAK LED
- MAINS: 100AC 50/60Hz, MAX 80W
- DIMENSIONS: 482Wx88Hx303D, 7kg



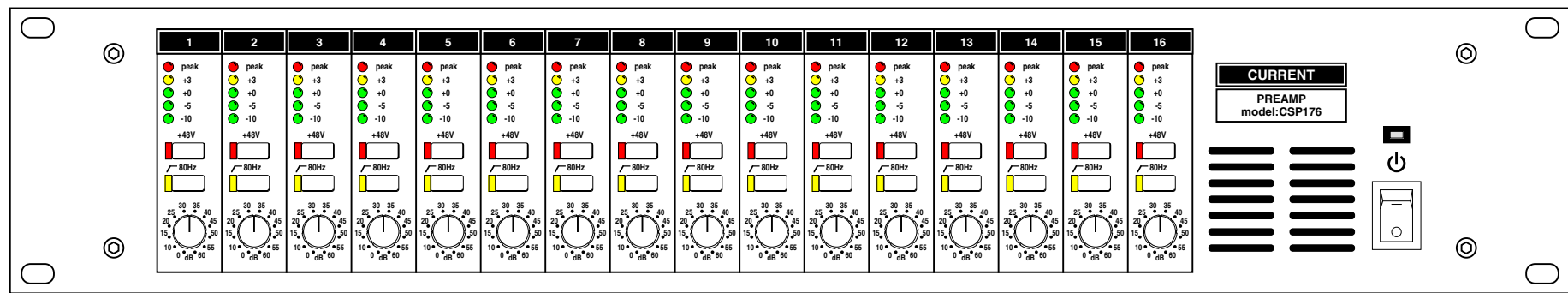
16ch mic amp	CSP176	¥1,600,000
accessory : AC cable		

The specifications are subject to change without notice.
 2-26-11 AKATSUTSUMI, SETAGAYA-KU, TOKYO, 156-0044 JAPAN

MONITOR SYSTEM
 HEADPHONES AMP
 CUE SYSTEM
 COMMUNICATION
 TB. COUGH SYSTEM
 MATRIX AMP
 AUDIO ROUTER
 AUDIO VIDEO
 SWITCHER
 SYSTEM SWITCHER
 EMERGENCY
 AUDIO VIDEO
 DISTRIBUTOR
 METER SYSTEM
 ANALOG, DIGITAL
 PREAMP, MIXER
 LEVEL UNIT
 DIGITAL AUDIO
 FADER UNIT
 AUTO FADER
 TALLY FADER
 CLOCK, TIMER
 EVENT SYSTEM
 SPECIAL PRODUCTS
 ETC.



302.6



88.0

482.0

(c)CURRENT,INC.	CSP176 PREAMP	Dec.2006
H.ICHIHASHI	PANEL DIAGRAM	CSP176-D