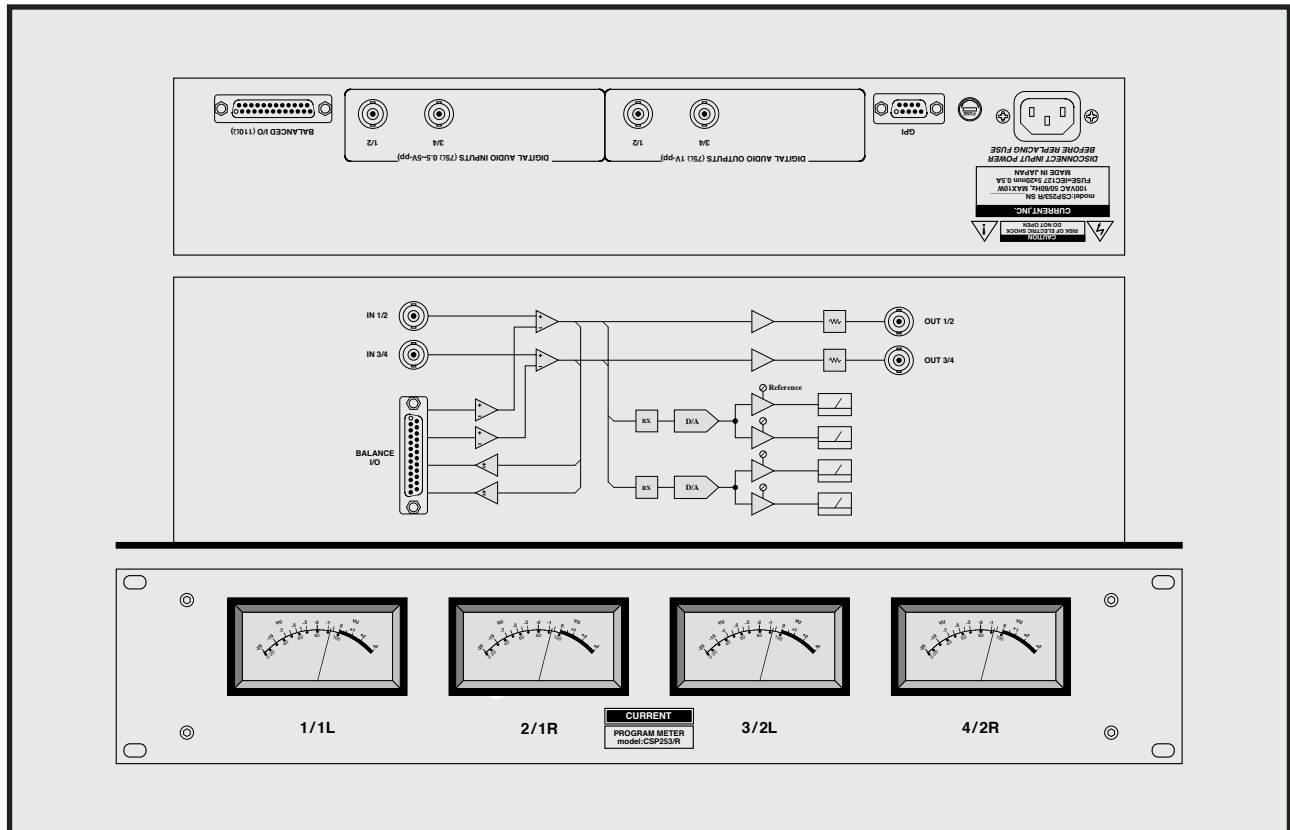


CURRENT PRODUCTS model:CSP253/R

DIGITAL PROGRAM METER



AES/EBU 4ch VU meter

Highest grade large size meter adoption
 Balance, unbalanced compatible
 The through output
 32k to 192kFs compatible
 -20dBfs to 14dBfs adjustable
 Maintenance-free illumination
 19 inches 2U size

CSP253/R is a digital program meter of 4ch specifications. It implements sifam made to a VU meter unit, and, as for this component, the adoption results with the large size console are a lot of and highly precise. In addition, it is beautiful and maintenance-free bulb-colored LED is mounted for the illumination of each meter.

"Audio input and output"

CSP253/R implements Dsub25 of 110Ω balance specifications and the BNC connector of 75Ω unbalance specifications in audio input and the through output. When it inputs at the same time, it is taken first priority balanced input and can use the output at the same time. When you use only BNC, please do not connect anything to Dsub connector. In addition, it can use either of AES/EBU and the SPDIF in the consumer not being different from professional in audio data.

"Trim"

The reference of the VU meter is adjustable in the range of -20dBfs to 14dBfs in an internal trim. In addition, the standard reference level is -20dBfs=+4dBu=0VU.

"About Fs"

It follows it to 32 to 192kFs automatically, but, please do not change it during a working as much as possible. When you change it, please power up again.

"Others"

It is possible for a reference level and the panel name to customize, and, in that case, plate-making charges are necessary separately.

Dsub25-F Connector Pin List

1	INPUT 1/2 +	14	INPUT 1/2 -
2	INPUT 1/2 Gnd	15	INPUT 3/4 +
3	INPUT 3/4 -	16	INPUT 3/4 Gnd
4		17	
5		18	
6		19	
7	OUTPUT 1/2 +	20	OUTPUT 1/2 -
8	OUTPUT 1/2 Gnd	21	OUTPUT 3/4 +
9	OUTPUT 3/4 -	22	OUTPUT 3/4 Gnd
10		23	
11		24	
12		25	
13			

SPECIFICATIONS

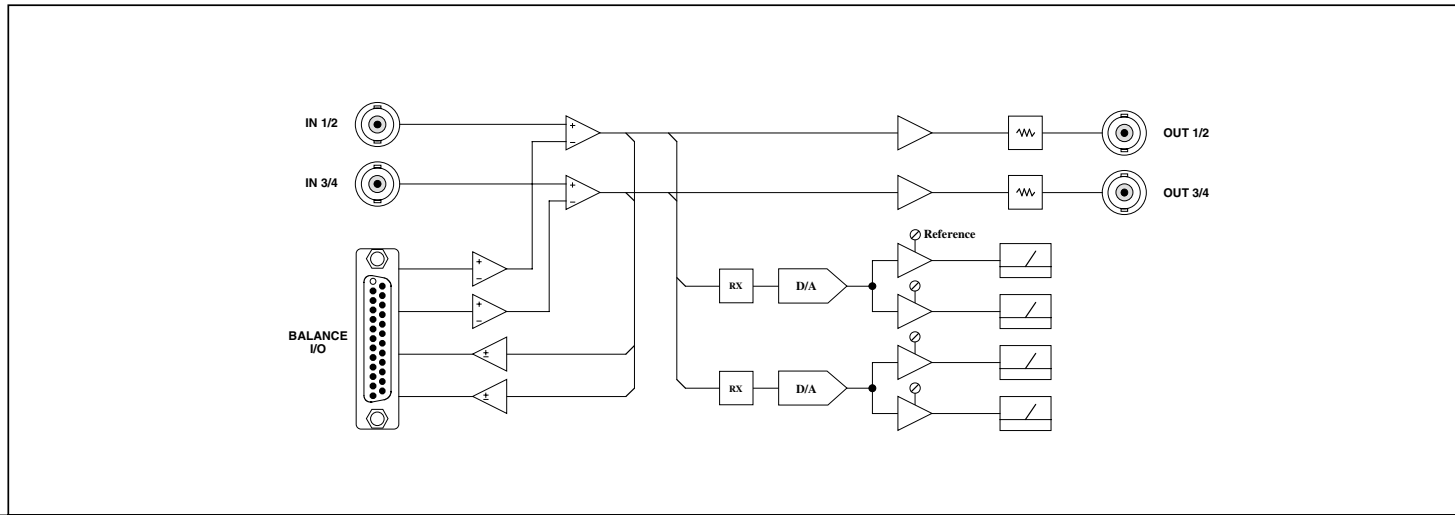
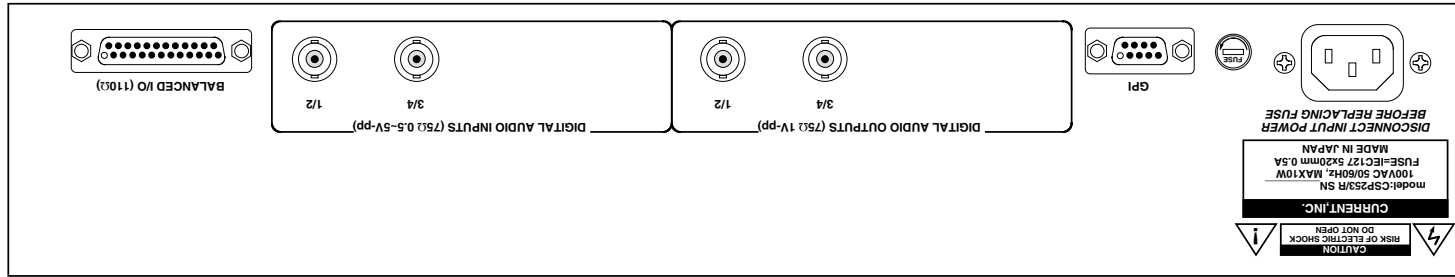
- ▲ **BALANCED INPUT:** 110Ω, Dsub25-F (#4-40), 0.5~5Vpp
- ▲ **BALANCED OUTPUT:** 110Ω, Dsub25-F (#4-40), 1.5Vpp
- ▲ **UNBALANCED INPUT:** 75Ω, BNC, 0.5~5Vpp
- ▲ **UNBALANCED OUTPUT:** 75Ω, BNC, 1Vpp
- ▲ **INPUT SIGNAL FORMAT:** AES3, AES3id, SPDIF
- ▲ **RESOLUTION:** 16bit-24bit ▲ **SAMPLING RATE:** 32~192kHz
- ▲ **REFERENCE LEVEL:** -20dBfs~-14dBfs (Default=-20dBfs)
- ▲ **METERS:** SIFAM R22AF/AL29WF Internal LED Lamp
- ▲ **FREQUENCY RESPONSE:** 20Hz-20kHz ±0.5dB
- ▲ **MAINS:** 100VAC 50/60Hz MAX 10W
- ▲ **DIMENSIONS:** 482Wx88Hx153D, 4kg

Rack mount	CSP253R	¥320,000
No mount angle	CSP253	¥320,000
Custom silk print		¥64,000

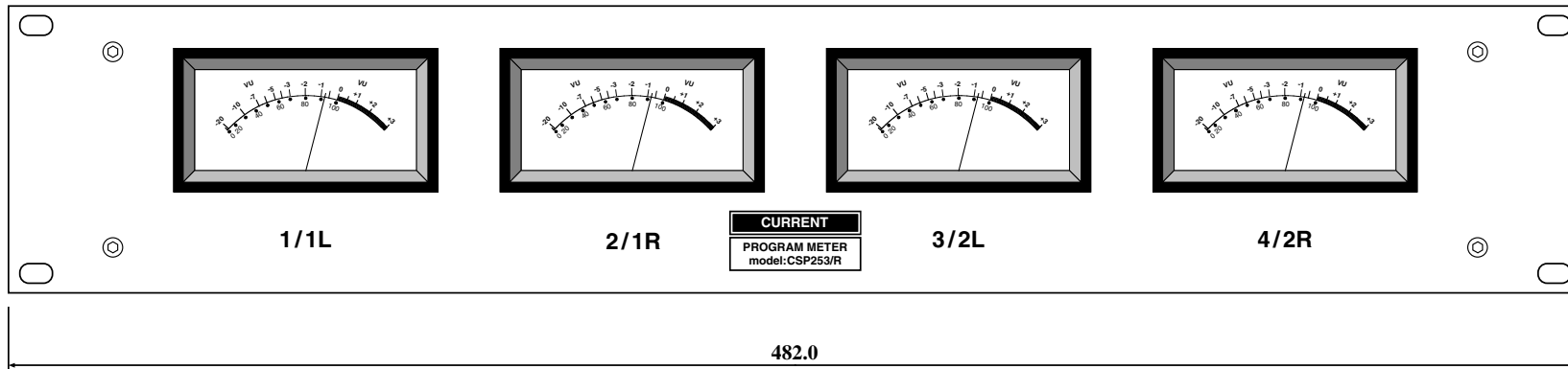
accessory : AC cable

The specifications are subject to change without notice.
 2-26-11 AKATSUTSUMI, SETAGAYA-KU, TOKYO, 156-0044 JAPAN

MONITOR SYSTEM
 HEADPHONES AMP
 CUE SYSTEM
 COMMUNICATION
 TB. COUGH SYSTEM
 MATRIX AMP
 AUDIO ROUTER
 AUDIO VIDEO
 SWITCHER
 SYSTEM SWITCHER
 EMERGENCY
 AUDIO VIDEO
 DISTRIBUTOR
 METER SYSTEM
 ANALOG, DIGITAL
 PREAMP MIXER
 LEVEL UNIT
 DIGITAL AUDIO
 FADER UNIT
 AUTO FADER
 TALLY FADER
 CLOCK, TIMER
 EVENT SYSTEM
 SPECIAL PRODUCTS
 ETC.



152.6



88.0

(c)CURRENT,INC.	PROGRAM METER CSP253R	Feb.2006
H.ICHIHASHI	PANEL DIAGRAM	CSP253R-D

CSP253/R "BALANCED I/O" D25-F(#4-40) Connector Pin List

Ribbon	Hard	Signal name	Designation	Active
1	1	IN 1/2+	AES INPUT 1/2+	
2	14	IN 1/2-	AES INPUT 1/2 -	
3	2	IN 1/2G	AES INPUT 1/2 GND	
4	15	IN 3/4+	AES INPUT 3/4 +	
5	3	IN 3/4-	AES INPUT 3/4 -	
6	16	IN 3/4G	AES INPUT 3/4 GND	
7	4			
8	17			
9	5			
10	18			
11	6			
12	19			
13	7	OUT 1/2+	AES OUTPUT 1/2 +	
14	20	OUT 1/2-	AES OUTPUT 1/2 -	
15	8	OUT 1/2G	AES OUTPUT 1/2 GND	
16	21	OUT 3/4+	AES OUTPUT 3/4 +	
17	9	OUT 3/4-	AES OUTPUT 3/4 -	
18	22	OUT 3/4G	AES OUTPUT 3/4 GND	
19	10			
20	23			
21	11			
22	24			
23	12			
24	25			
25	13			

D S U B と B N C に同時に信号を入力した場合には D S U B が自動選択されます。

無音の場合でもキャリアがある場合には D S U B が選択されますので B N C を使用する場合には

D S U B 入力には何も接続しないでください。

自動選択された信号は D S U B と B N C にパラで出力されますので同時使用出来ます。

注意！ D サブコネクタの接続は H A R D ピン番号で接続してください。取付は # 4 - 4 0 インチビスです。

CAUTION! D-Connector for wiring refer to Hard pin number Description. Mounting screw for D-connector use #4-40 size.