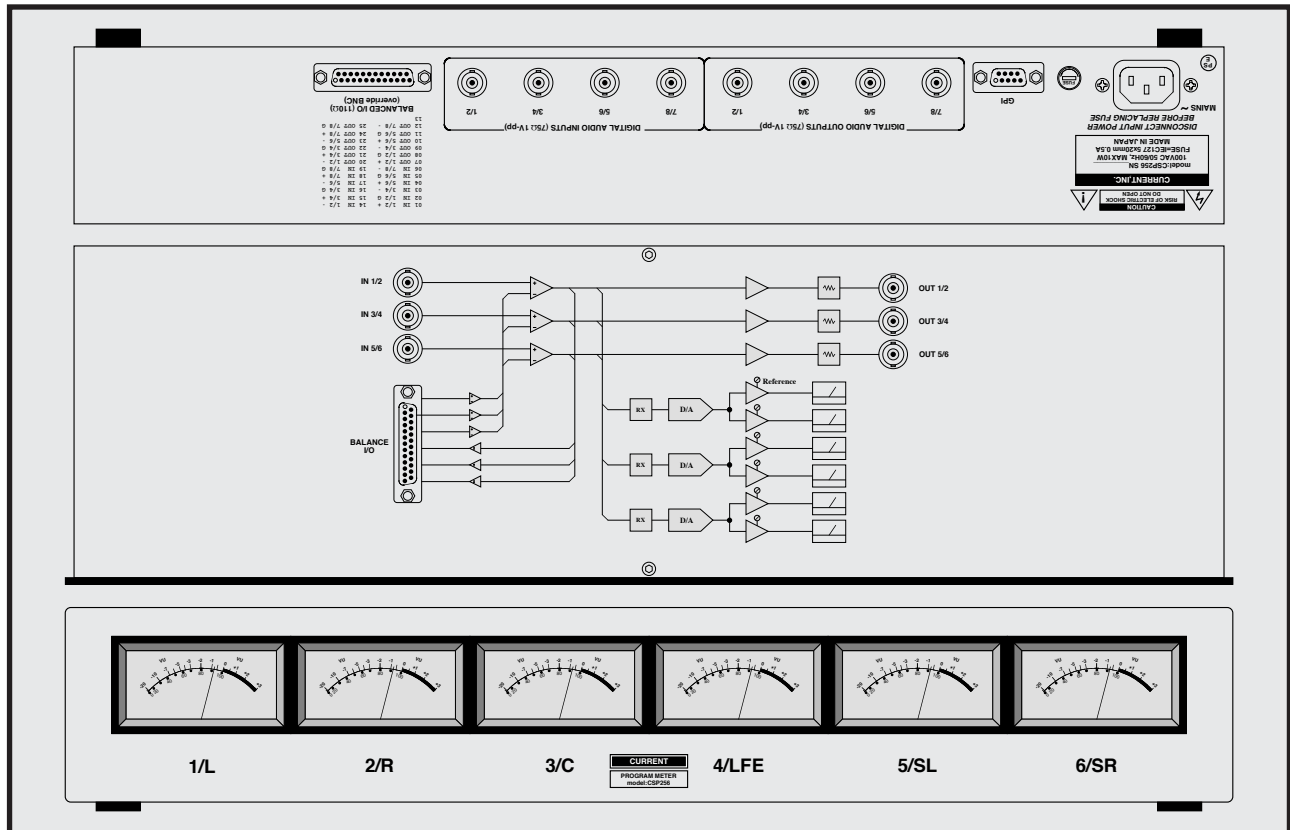


CURRENT PRODUCTS model:CSP256

DIGITAL PROGRAM METER



AES/EBU 6ch VU meter
 Highest grade large size meter adoption
 Maintenance-free illumination
 Balance, unbalanced compatible
 The through output
 32k to 192kFs compatible
 -20dBfs to 14dBfs adjustable
 19 inches 2U height

CSP256 is a digital program meter of 6ch specifications. It implements sifam made to a VU meter unit, and, as for this component, the adoption results with the large size console are a lot of and highly precise. In addition, it is beautiful and maintenance-free bulb-colored LED is mounted for the illumination of each meter.

"Audio input and output"

CSP256 implements DSUB25 of 110 Ω balance specifications and the BNC connector of 75 Ω unbalance specifications in audio input and the through output. When it inputs at the same time, it is taken first priority balanced input and can use the output at the same time. When you use only BNC, please do not connect anything to DSUB connector. In addition, it is professional for audio data, and even AES/EBU can use either of the SPDIF in the consumer not being different.

"Trim"

The reference adjustment of the VU meter is changeable in the range of -20dBfs to 14dBfs in an internal trim. In addition, the standard reference level is -20dBfs=+4dBu=0VU.

"About Fs"

It follows it to 32 to 192kFs automatically, but, please do not change it during a working as much as possible. When you change it, please power up again.

"Others"

It is possible for a reference level and the panel name to customize, and, in that case, plate-making charges are necessary separately.

Dsub25-F Connector Pin List

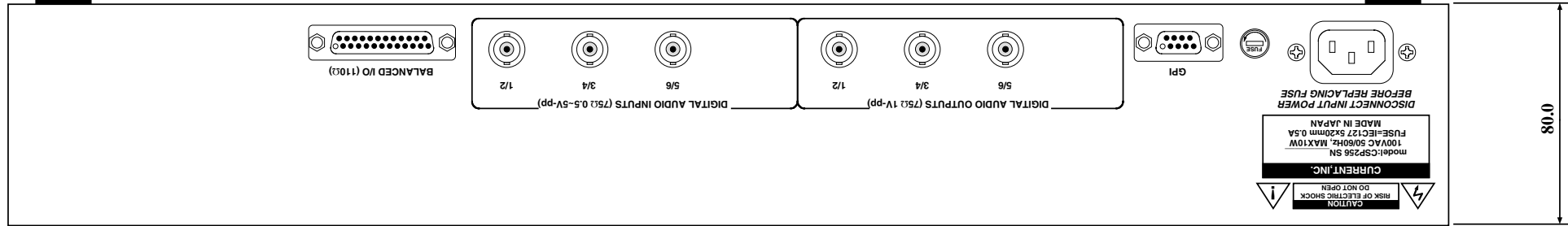
1	INPUT 1/2 +	14	INPUT 1/2 -
2	INPUT 1/2 Gnd	15	INPUT 3/4 +
3	INPUT 3/4 -	16	INPUT 3/4 Gnd
4	INPUT 5/6 +	17	INPUT 5/6 -
5	INPUT 5/6 Gnd	18	
6		19	
7	OUTPUT 1/2 +	20	OUTPUT 1/2 -
8	OUTPUT 1/2 Gnd	21	OUTPUT 3/4 +
9	OUTPUT 3/4 -	22	OUTPUT 3/4 Gnd
10	OUTPUT 5/6 +	23	OUTPUT 5/6 -
11	OUTPUT 5/6 Gnd	24	
12		25	
13			

SPECIFICATIONS

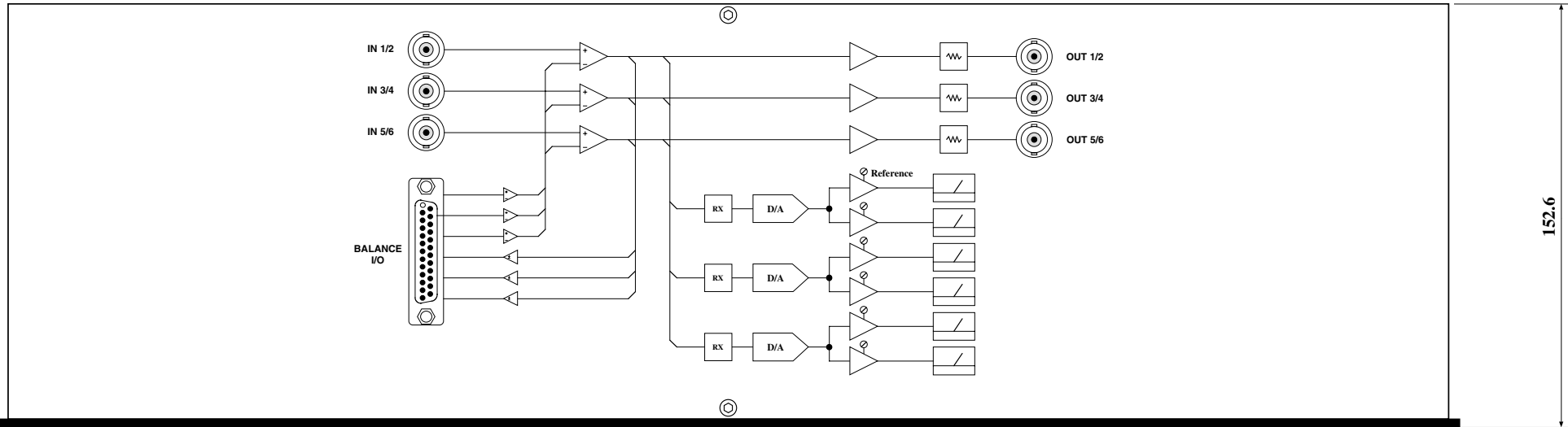
- ▲BALANCED INPUT: 110Ω, Dsub25-F (#4-40), 0.5~5Vpp
- ▲BALANCED OUTPUT: 110Ω, Dsub25-F (#4-40), 1.5Vpp
- ▲UNBALANCED INPUT: 75Ω, BNC, 0.5~5Vpp
- ▲UNBALANCED OUTPUT: 75Ω, BNC, 1Vpp
- ▲INPUT SIGNAL FORMAT: AES3, AES3id, SPDIF
- ▲RESOLUTION: 16bit-24bit ▲SAMPLING RATE: 32kHz~192kHz
- ▲REFERENCE LEVEL: -20dBfs~-14dBfs (Default= -20dBfs)
- ▲FREQUENCY RESPONSE: 20Hz~20kHz ±0.5dB
- ▲METERS: SIFAM R22AF/AL29WF Internal LED Lamp
- ▲MAINS: 100VAC 50/60Hz MAX 10W
- ▲DIMENSIONS: 528Wx88Hx153D, 5kg

AES 6ch meter	CSP256	¥480,000
Custom silk print		¥80,000
accessory : AC cable		

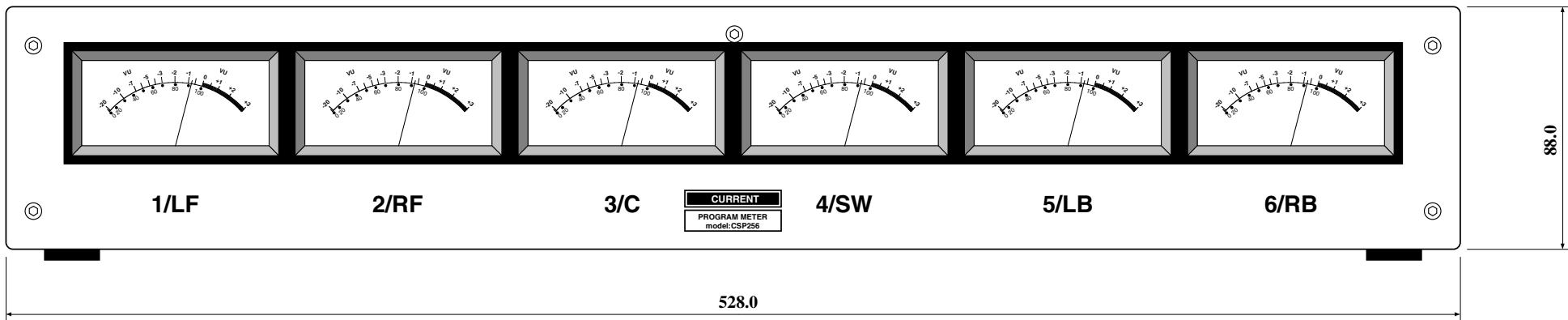
The specifications are subject to change without notice.
 2-26-11 AKATSUTSUMI, SETAGAYA-KU, TOKYO, 156-0044 JAPAN



80.0



152.6



88.0

528.0

(c)CURRENT,INC.	PROGRAM METER CSP256	Feb.2006
H.ICHIHASHI	PANEL DIAGRAM	CSP256-D

CSP256 "BALANCED I/O" D25-F(#4-40) Connector Pin List

Ribbon	Hard	Signal name	Designation	Active
1	1	IN 1/2+	AES INPUT 1/2+	
2	14	IN 1/2-	AES INPUT 1/2 -	
3	2	IN 1/2G	AES INPUT 1/2 GND	
4	15	IN 3/4+	AES INPUT 3/4 +	
5	3	IN 3/4-	AES INPUT 3/4 -	
6	16	IN 3/4G	AES INPUT 3/4 GND	
7	4	IN 5/6+	AES INPUT 5/6 +	
8	17	IN 5/6-	AES INPUT 5/6 -	
9	5	IN 5/6G	AES INPUT 5/6 GND	
10	18			
11	6			
12	19			
13	7	OUT 1/2+	AES OUTPUT 1/2 +	
14	20	OUT 1/2-	AES OUTPUT 1/2 -	
15	8	OUT 1/2G	AES OUTPUT 1/2 GND	
16	21	OUT 3/4+	AES OUTPUT 3/4 +	
17	9	OUT 3/4-	AES OUTPUT 3/4 -	
18	22	OUT 3/4G	AES OUTPUT 3/4 GND	
19	10	OUT 5/6+	AES OUTPUT 5/6 +	
20	23	OUT 5/6-	AES OUTPUT 5/6 -	
21	11	OUT 5/6G	AES OUTPUT 5/6 GND	
22	24			
23	12			
24	25			
25	13			

D S U B と B N C に同時に信号を入力した場合には D S U B が自動選択されます。

無音の場合でもキャリアがある場合には D S U B が選択されますので B N C を使用する場合には

D S U B 入力には何も接続しないでください。

自動選択された信号は D S U B と B N C にパラで出力されますので同時使用出来ます。

注意！ D サブコネクタの接続は H A R D ピン番号で接続してください。取付は # 4 - 4 0 インチビスです。

CAUTION! D-Connector for wiring refer to Hard pin number Description. Mounting screw for D-connector use #4-40 size.