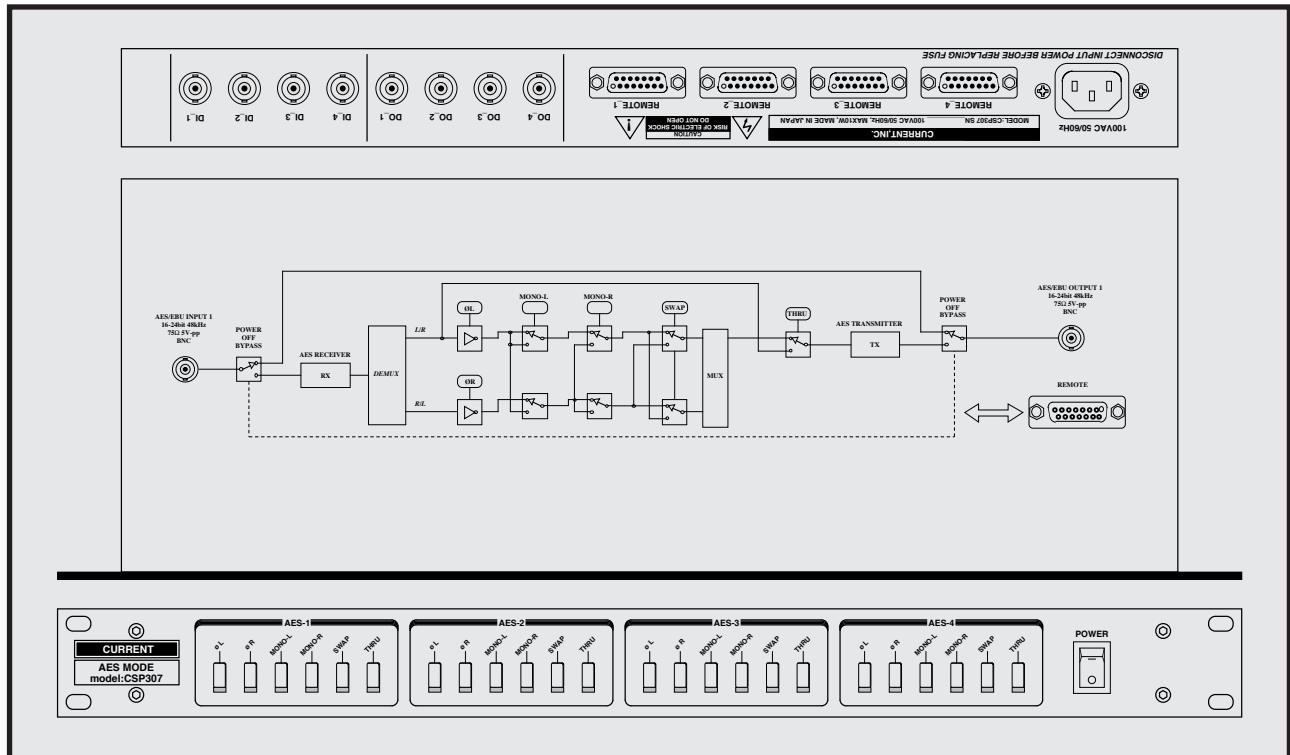


# CURRENT PRODUCTS model:CSP307

## AES MODE



### AES stereo mode change

øL, øR, MONO-L, MONO-R, SWAP

### Quad AES

It is most suitable for a master system

Bypass complete in power supply off

Remote control

19 inches 1U size

**CSP307 is the AES mode converter which can change the stereo mode of four AES individually. It can set a mode of øL, øR, MONO-L, MONO-R and SWAP. It can easily do these mode changes without using a digital console. It is most suitable for cases to change the stereo mode of the complete package.**

### "Mode"

øL reverses phase with the input signal of the L channel, and øR reverses phase with the input signal of the R channel. MONO-L outputs the input signal of the L channel in left and right, and MONO-R outputs the input signal of the R channel in left and right. SWAP replaces an input signal of the left and right and outputs it. THRU just outputs an input signal. MONO-L, MONO-R, SWAP can choose one either, but can operate øL and øR individually.

### "Remote"

The mode switch of the front panel can do parallel remote and can set up a main frame in the machine room. Machine room

### "Bypass"

It is completely bypassed in the power supply off by a relay and is safe at the time of the emergency.

### "Channel status"

Users bit or the channel status except audio data just output input information.

### "Others"

Please refer about the manufacturing of a remote control panel and the connection cable.

#### REMOTE DSUB15-F

01 SW COM	09 LP COM +5V
02 øL SW	10 øL LP
03 øR SW	11 øR LP
04 MONO-L SW	12 MONO-L LP
05 MONO-R SW	13 MONO-R LP
06 SWAP SW	14 SWAP LP
07 THRU SW	15 THRU LP
08	



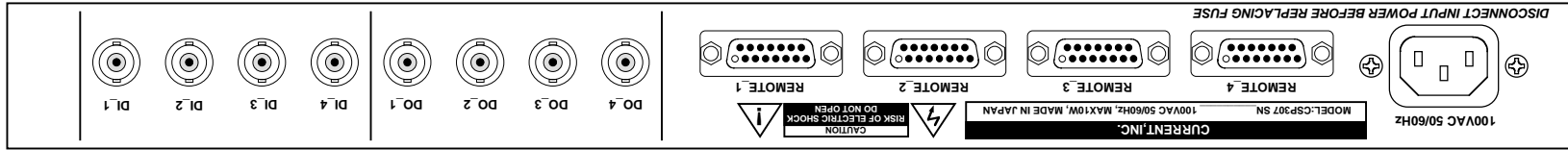
#### SPECIFICATIONS

- ♣AES INPUTS: BNC, 75Ω, 0.5V~5Vpp
- ♣AES OUTPUTS: BNC, 75Ω, 5Vpp
- ♣REMOTE CONNECTOR: Dsub15-F (#4-40)
- ♣RESOLUTION: 16 ~24bit
- ♣SAMPLING RATE: 44.1kHz, 48kHz
- ♣USERS BIT: Same as Input signal
- ♣CONTROL: øL, øR, MONO-L, MONO-R, SWAP, THRU
- ♣MAINS: 100VAC 50/60Hz MAX 10W
- ♣DIMENSIONS: 482Wx44Hx303D, 4kg

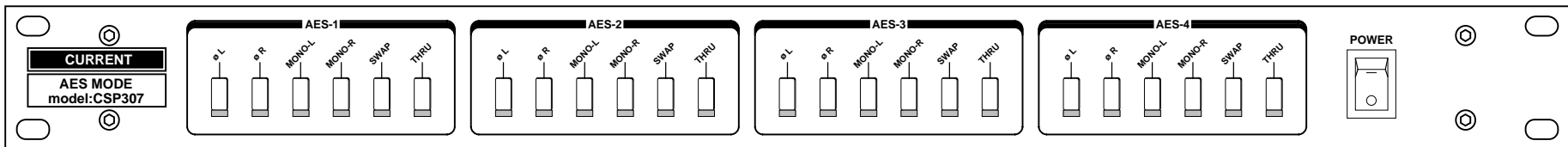
AES mode	CSP307	¥640,000
accessory : AC cable		

The specifications are subject to change without notice.  
2-26-11 AKATSUTSUMI, SETAGAYA-KU, TOKYO, 156-0044 JAPAN

MONITOR SYSTEM  
HEADPHONES AMP  
CUE SYSTEM  
COMMUNICATION  
TR. COUGH SYSTEM  
MATRIX AMP  
AUDIO ROUTER  
AUDIO VIDEO  
SWITCHER  
SYSTEM SWITCHER  
EMERGENCY  
AUDIO VIDEO  
DISTRIBUTOR  
METER SYSTEM  
ANALOG, DIGITAL  
PREAMP MIXER  
LEVEL UNIT  
DIGITAL AUDIO  
FADER UNIT  
AUTO FADER  
TALLY FADER  
CLOCK TIMER  
EVENT SYSTEM  
SPECIAL PRODUCTS  
ETC.



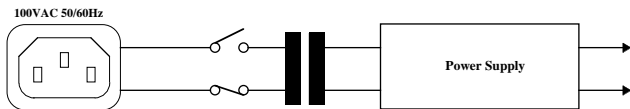
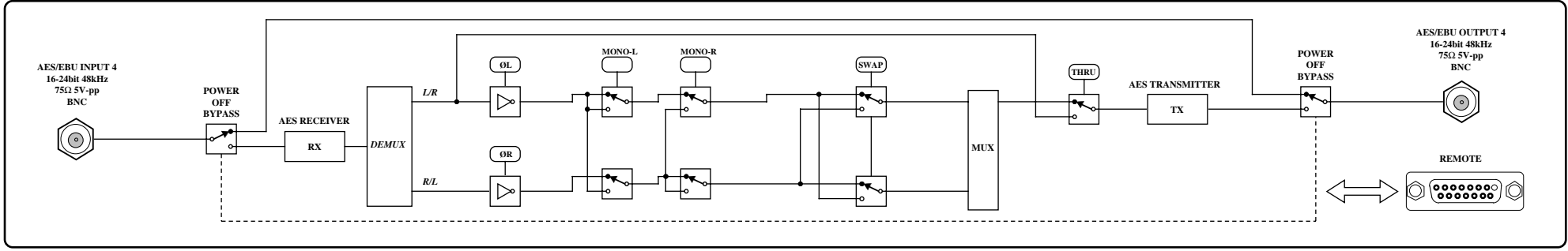
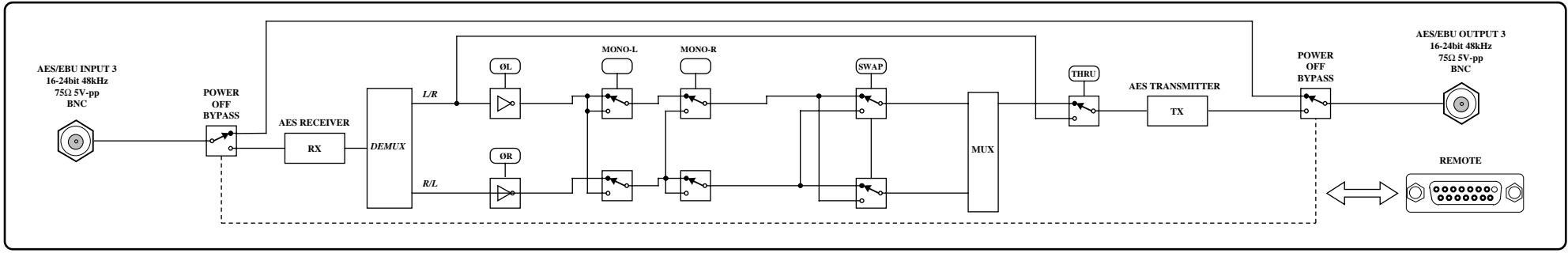
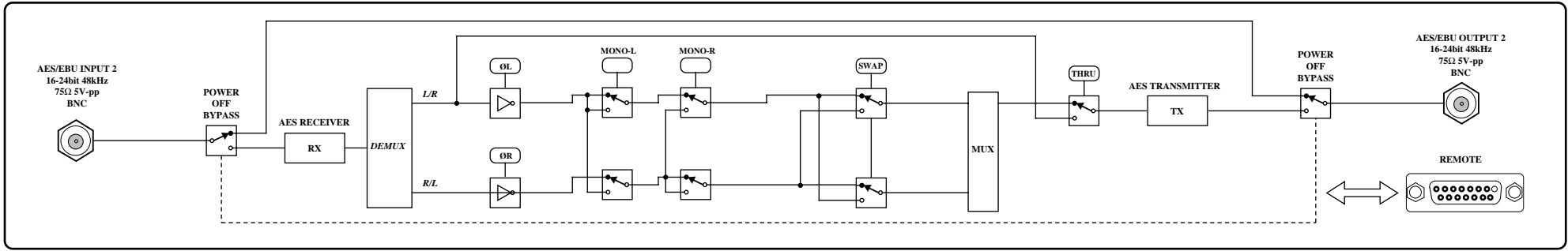
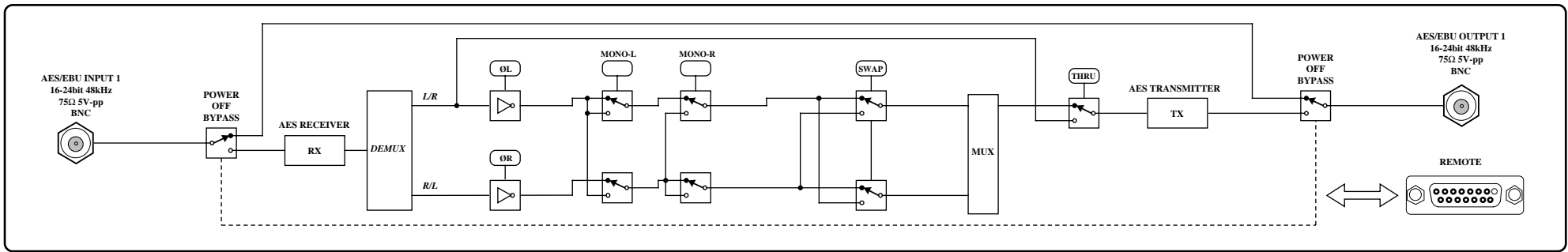
302.6



482.0

44.0

(c)CURRENT, INC.	CSP307 AES MODE	apr.2002
H. ICHIHASHI	PANEL DIAGRAM	CSP307-D



(c)CURRENT,INC.	CSP307 AES MODE	Jul. 2002
H.ICHIHASHI	SYSTEM DIAGRAM	1 of 1

# CSP307 "Remote 1-4" Connector Pin List

Ribbon	Hard	Signal name	Designation	Active
1	1	SW COM	SWITCHES COMMON	0V
2	9	LP COM	LAMPS COMMON	+5V
3	2	øL SW	øL SW	Lo
4	10	øL LP	øL LP	Lo
5	3	øR SW	øR SW	Lo
6	11	øR LP	øR LP	Lo
7	4	MONO-L SW	MONO-L SW	Lo
8	12	MONO-L LP	MONO-L LP	Lo
9	5	MONO-R SW	MONO-R SW	Lo
10	13	MONO-R LP	MONO-R LP	Lo
11	6	SWAP SW	SWAP SW	Lo
12	14	SWAP LP	SWAP LP	Lo
13	7	THRU SW	THRU SW	Lo
14	15	THRU LP	THRU LP	Lo
15	8			

注意！

Dサブコネクタの接続はHardピン番号で接続してください。

取付ビスは# 4 - 40インチスを使用して下さい。

**CAUTION! D-Connector for wiring refer to Hard pin number Description.**

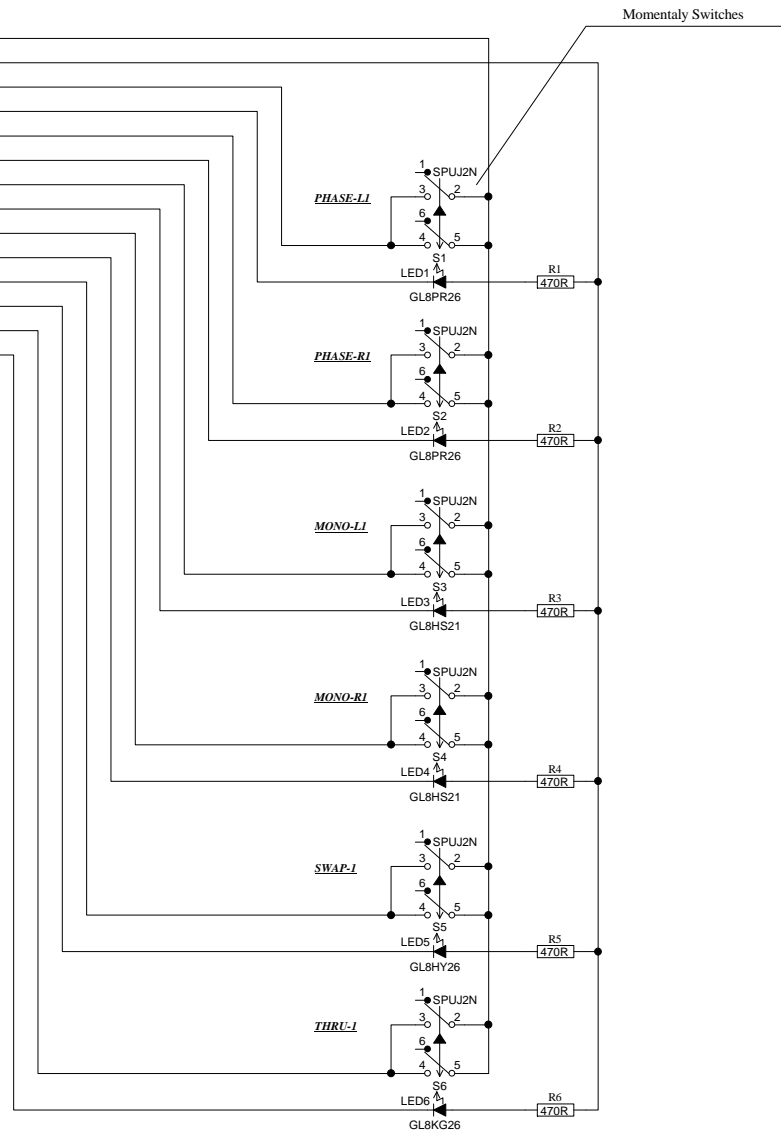
**Mounting screw for D-connector use #4-40 screw.**

**REMOTE 1-4**

DB2

Signal	HD	RB
SW COM	1	1
LP COM	9	2
L_SW 2	2	3
L_LP 2	10	4
R_SW 2	3	5
R_LP2	11	6
MONO-L SW 2	4	7
MONO-L LP 2	12	8
MONO-R SW 2	5	9
MONO-R LP 2	13	10
SWAP SW 2	6	11
SWAP LP 2	14	12
THRU SW 2	7	13
THRU LP 2	15	14
	8	15

DSUB15-FL



Connection sample for Remote Control