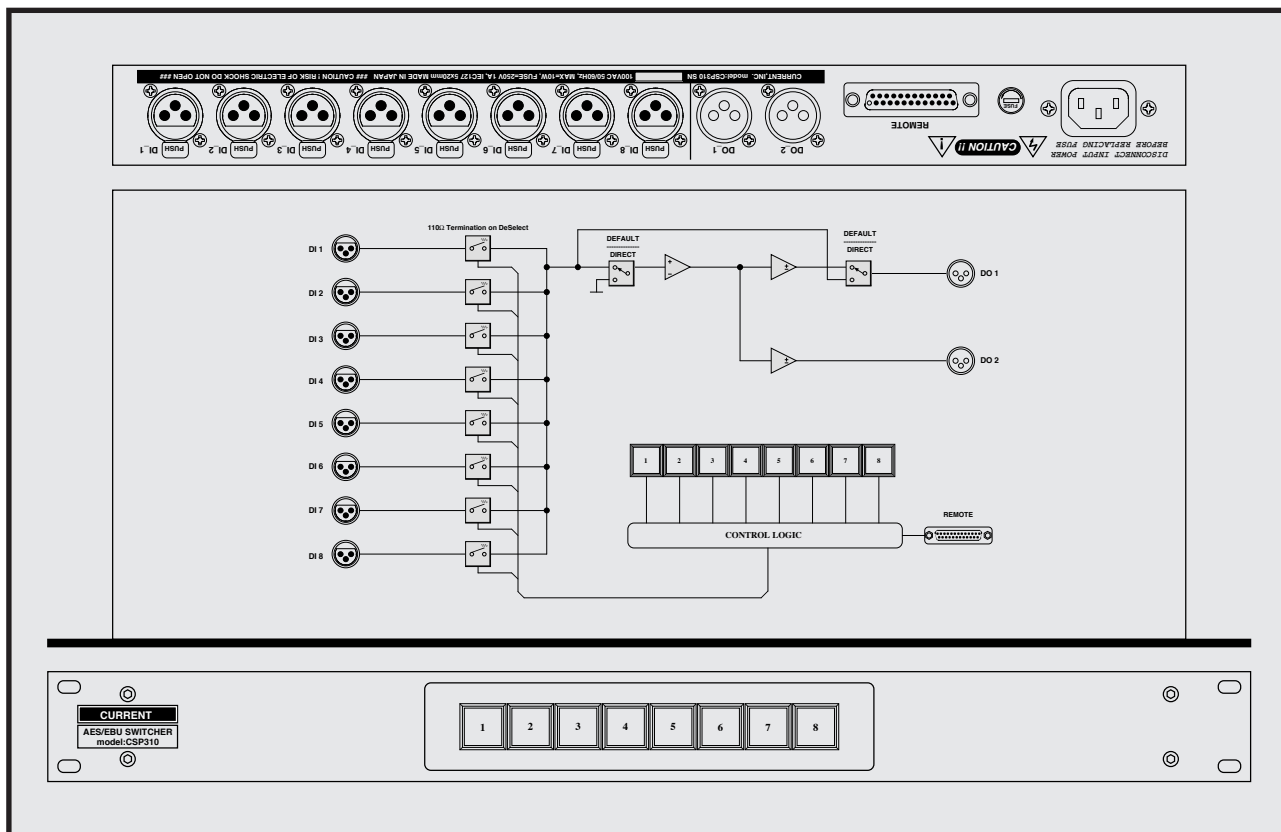


# CURRENT PRODUCTS model:CSP310/C

## AES/EBU SWITCHER



8:1 AES/EBU switch

XLR or BNC

It supports all Fs

Remote control possibility

19 inches 1U size

**CSP310 switches 8 AES/EBU digital audio signals and is the switcher which 2 routes can output. It chooses either from 1 to 8 among a select switch of the front panel of the main frame or external by remote control and outputs it.**

**"Input-output"**

8 input connectors and 2 output connectors are implemented, and 2 routes of the output are output with an independent transmitter. The way of using such as these output connects one to a monitor, and connecting another to the copy output is thought about. CSP310 is XLR connector, and CSP310C is BNC connector specifications.

**"Control"**

It can control CSP310 via front panel or a remote connector. It can interface the remote input with dry contact (relays) or the voltage (tarry, open collector). It allows that the momentary type switch connects multiple switches to parallel and controls it from the multiple places.

**"Others"**

In addition, it can easily change the name of a thing of a switch by replacing films.

**REMOTE DSUB25-F**

01 SW COM 0V	14 LP COM +5V
02 SW 1	15 LP 1
03 SW 2	16 LP 2
04 SW 3	17 LP 3
05 SW 4	18 LP 4
06 SW 5	19 LP 5
07 SW 6	20 LP 6
08 SW 7	21 LP 7
09 SW 8	22 LP 8
10	23
11	24
12	25
13	



**SPECIFICATIONS**

**CSP310**

INPUTS: XLR3-F, 110Ω OUTPUTS: XLR3-M, 110Ω

**CSP310C**

INPUTS: BNC, 75Ω, 0.5V~5Vpp OUTPUTS: BNC, 75Ω, 1Vpp

RESOLUTION: 16 ~24bit SAMPLING RATE: 32kHz~96kHz

EXTERNAL SYNC: NONE REMOTE: Dsub25-F(#4-40)

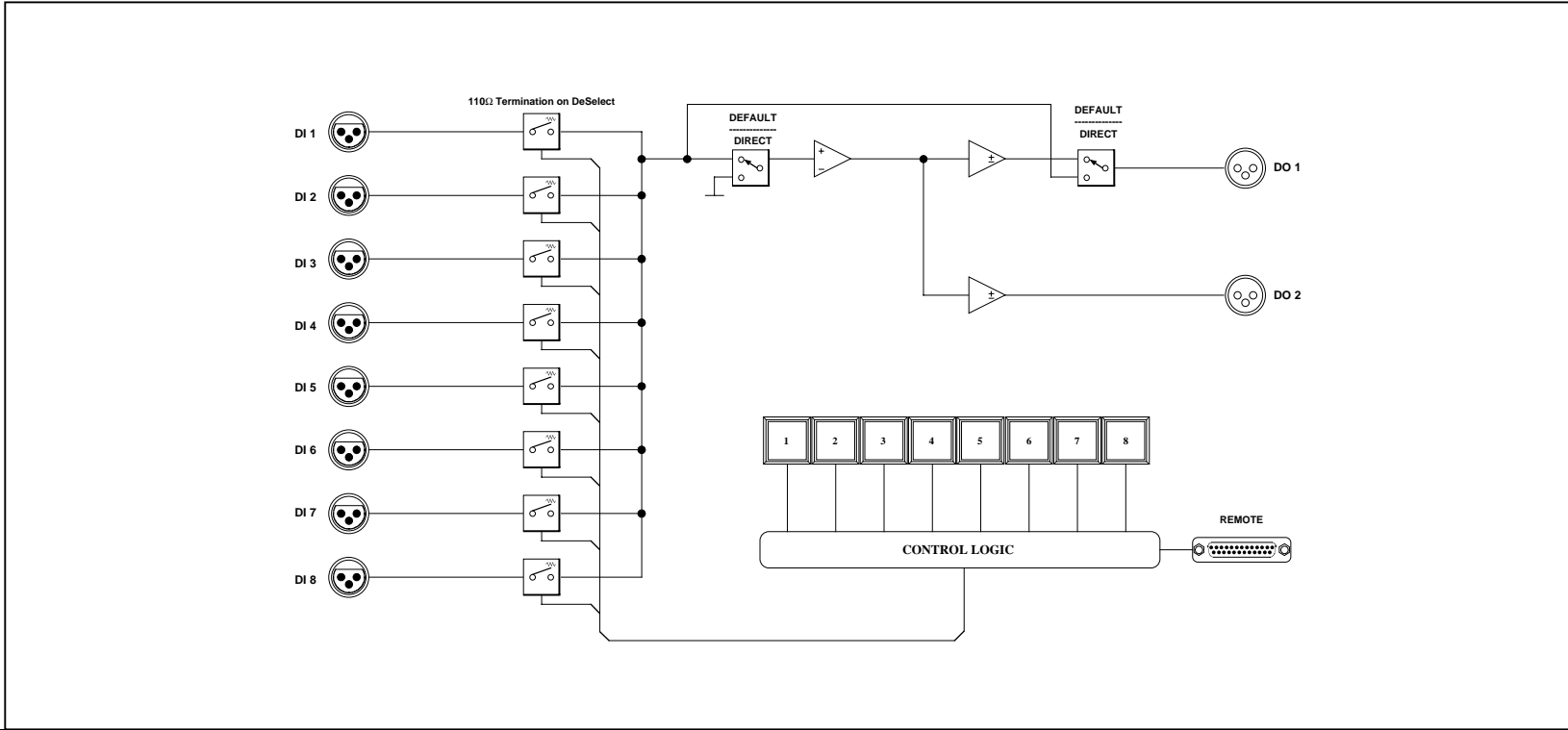
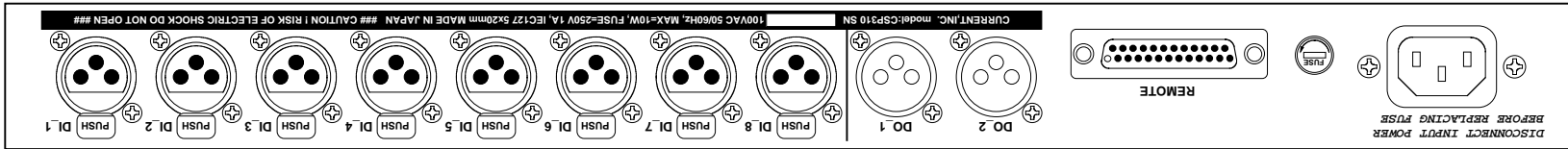
MAINS: 100VAC 50/60Hz MAX 10W

DIMENSIONS: 482Wx44Hx303D, 4kg

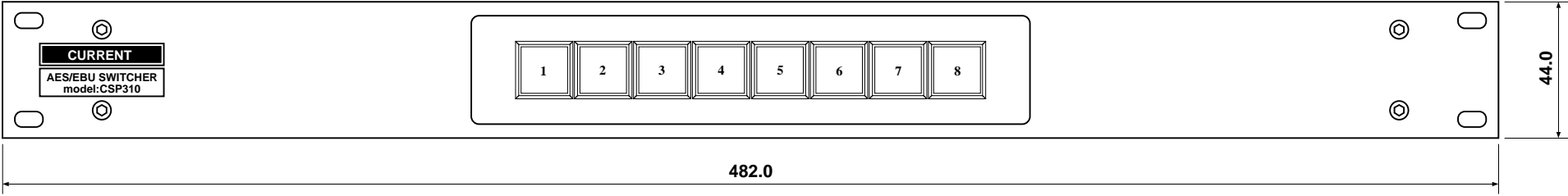
**CSP310C**



XLR type	CSP310	¥248,000
BNC type	CSP310C	¥248,000
accessory : AC cable		

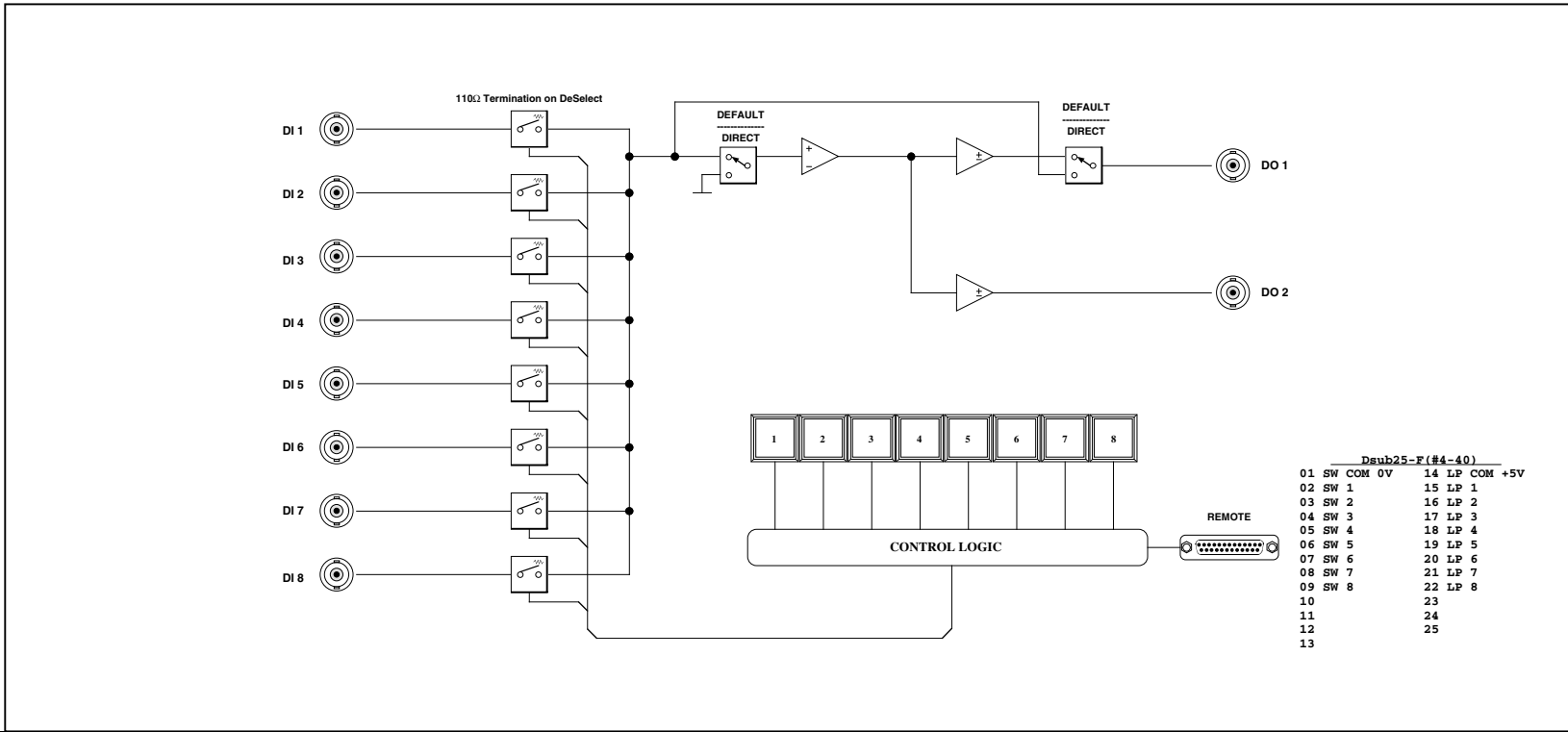
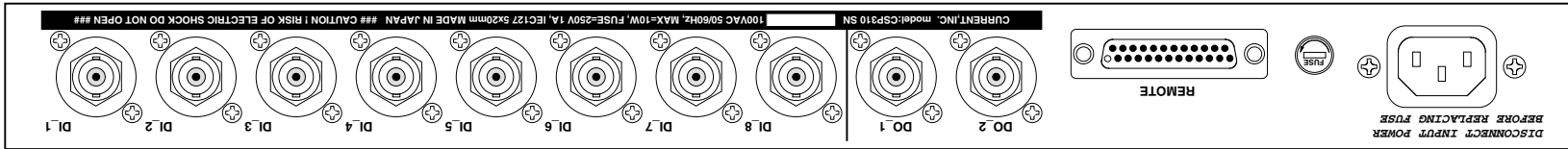


203.0

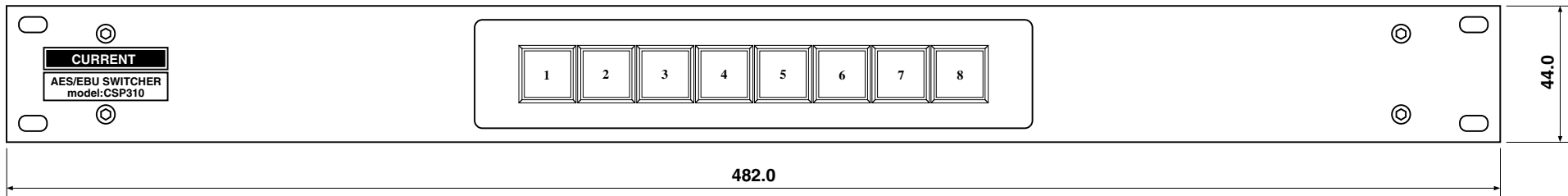


Jan.2005

(c)CURRENT, INC.	AES/EBU SWITCHER CSP310	NOV. 96
H.ICHIIHASHI	PANEL DIAGRAM	CSP310-D2005



203.0



Sep.2007

(c)CURRENT,INC.	AES/EBU SWITCHER CSP310C	NOV. 96
H.ICHIHASHI	PANEL DIAGRAM	CSP310C-D2007

# CSP310 Remote Connector Pin List

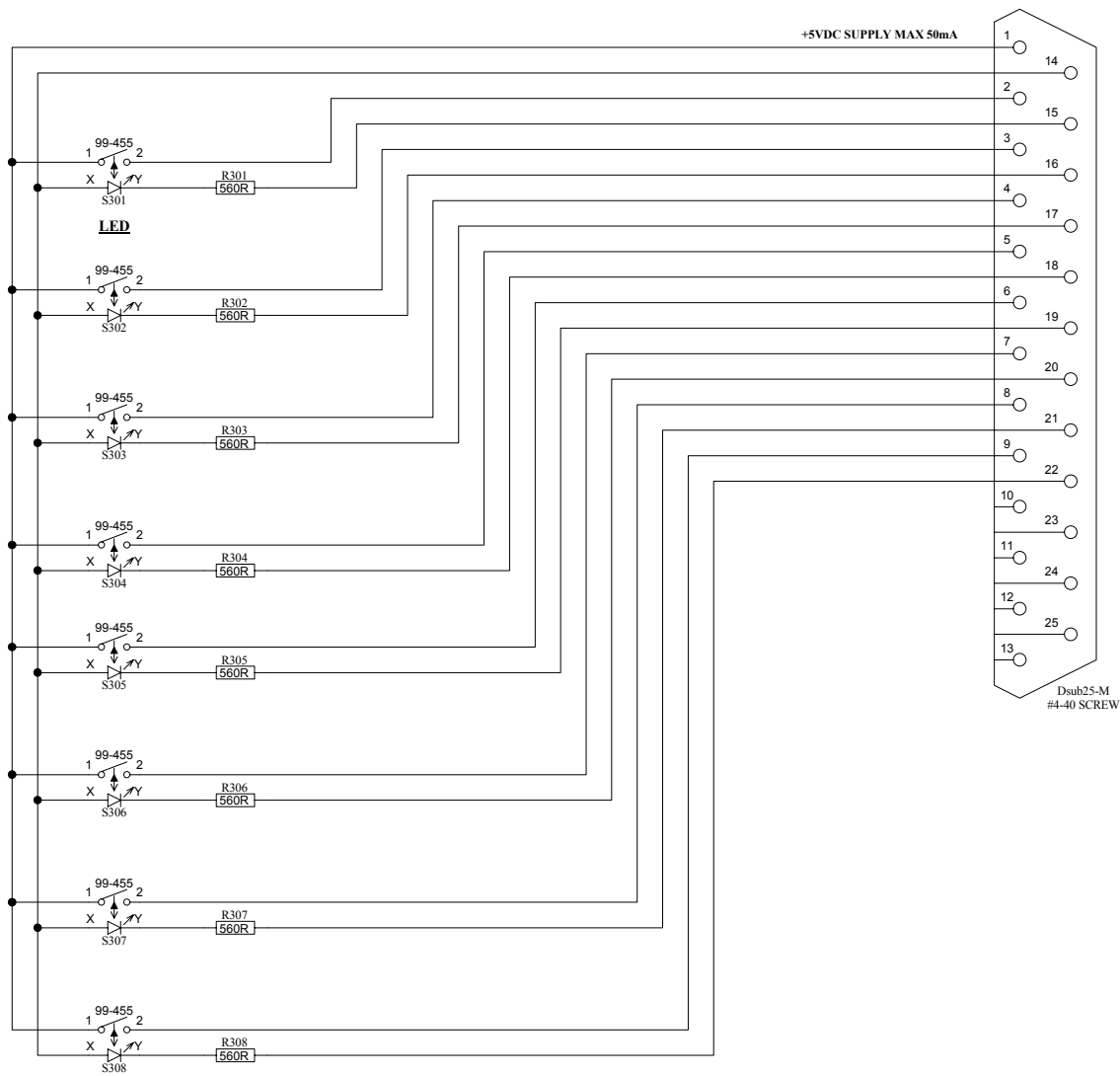
## CSP310 "Dsub25-F(#4-40)

Ribbon	Hard	Signal name	Designation	Active
1	1	0V	SWITCHES COMMON	0V
2	14	+5V	LAMPS COMMON	+5V
3	2	SW1	SELECT SWITCH 1	Lo
4	15	LP1	SELECT TALLY 1	Lo
5	3	SW2	SELECT SWITCH 2	Lo
6	16	LP2	SELECT TALLY 2	Lo
7	4	SW3	SELECT SWITCH 3	Lo
8	17	LP3	SELECT TALLY 3	Lo
9	5	SW4	SELECT SWITCH 4	Lo
10	18	LP4	SELECT TALLY 4	Lo
11	6	SW5	SELECT SWITCH 5	Lo
12	19	LP5	SELECT TALLY 5	Lo
13	7	SW6	SELECT SWITCH 6	Lo
14	20	LP6	SELECT TALLY 6	Lo
15	8	SW7	SELECT SWITCH 7	Lo
16	21	LP7	SELECT TALLY 7	Lo
17	9	SW8	SELECT SWITCH 8	Lo
18	22	LP8	SELECT TALLY 8	Lo
19	10			
20	23			
21	11			
22	24			
23	12			
24	25			
25	13			

**CAUTION! D-Connector for wiring refer to Hard pin number Description. Mounting screw for D-connector use #4-40 size.**

**注意！ Dサブコネクタの接続はHardピン番号で接続してください。取付ビスは#4-40インチビスです。**

# REMOTE PANEL



**ALL SWITCHES ARE MOMENTALY ACTION**

# REAR PANEL REMOTE

Signal	HD	RB
SW COM	1	1
LP COM	14	2
SW 1	2	3
LP 1	15	4
SW 2	3	5
LP 2	16	6
SW 3	4	7
LP 3	17	8
SW 4	5	9
LP 4	18	10
SW 5	6	11
LP 5	19	12
SW 6	7	13
LP 6	20	14
SW 7	8	15
LP 7	21	16
SW 8	9	17
LP 8	22	18
	10	19
	23	20
	11	21
	24	22
	12	23
	25	24
	13	25

DSUB25-F

