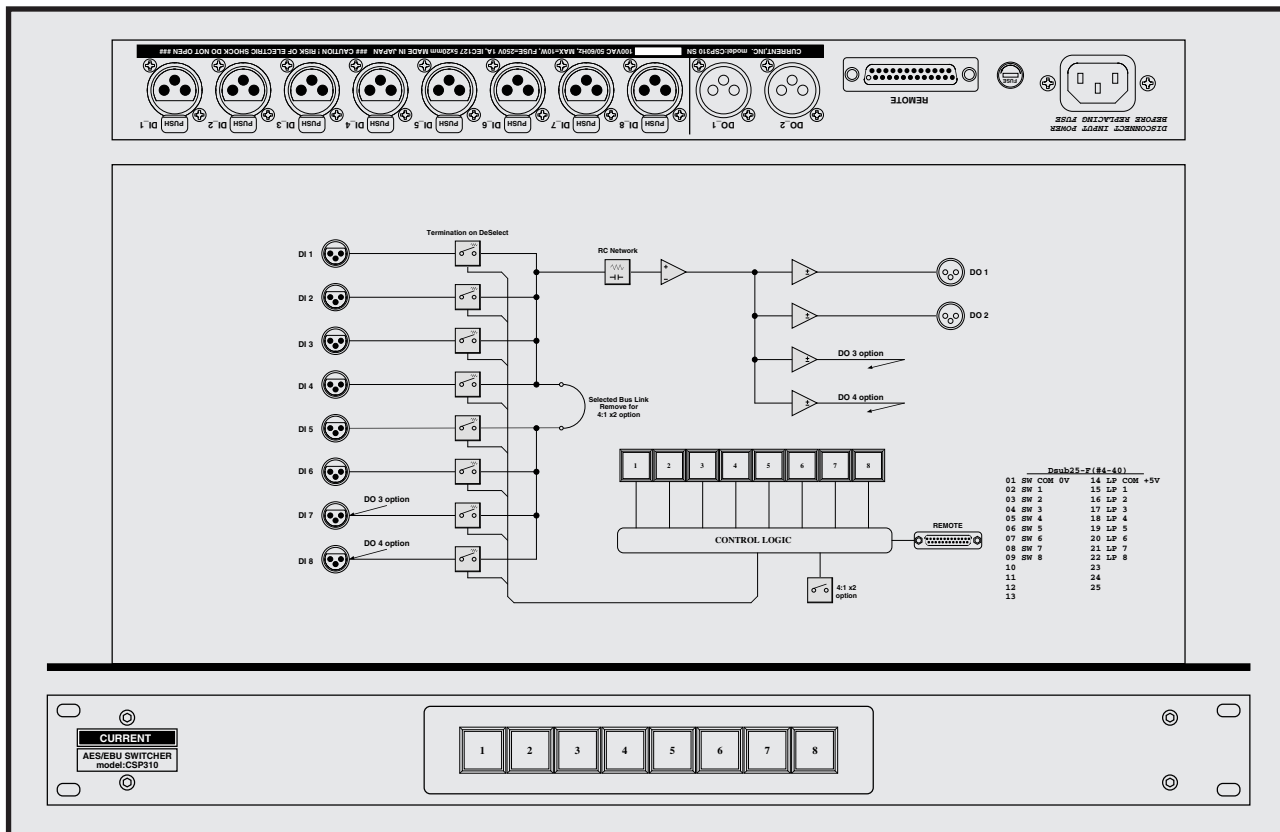


CURRENT PRODUCTS model:CSP310/C AES/EBU SWITCHER



8: 1 or 4: 1 AES / EBU switching
XLR or BNC, Compatible with all Fs
Remote control possible
19 inches 1U size

The CSP310 is a switcher that switches eight AES digital audio signals and outputs them to two systems. Select one of 1 to 8 with the selector switch on the front panel or from the outside with the remote control.

"I/O"

There are 8 inputs and 2 outputs, and two outputs are output by independent transmitters. One of these outputs may be used as a monitor and the other as a copy output. CSP310 is XLR connector, CSP310 C is BNC connector specification. As an option when ordering, you can also divide 1-4 and 5-8 to 4: 1 x 2 configuration. Also, 7-8 input can be configured as output 3-4. Also, the output can mix XLR and BNC.

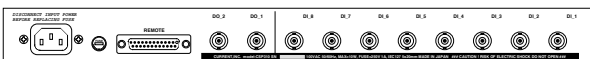
"Control"

The select control of the CSP310 is performed with the switch on the front panel of the main unit or the remote connector on the rear panel. Remote input can be interfaced with dry contact (relay etc.) or voltage (tally, open collector etc). Since the switch is a momentary type, you can control multiple switches in parallel by connecting multiple switches.

"Others"

Since the name of the select switch of the front panel is a film insertion type, it can be easily changed from the outside.

CSP310C



REMOTE DSub25-F

01 SW COM 0V	14 LP COM +5V
02 SW 1	15 LP 1
03 SW 2	16 LP 2
04 SW 3	17 LP 3
05 SW 4	18 LP 4
06 SW 5	19 LP 5
07 SW 6	20 LP 6
08 SW 7	21 LP 7
09 SW 8	22 LP 8
10	23
11	24
12	25
13	



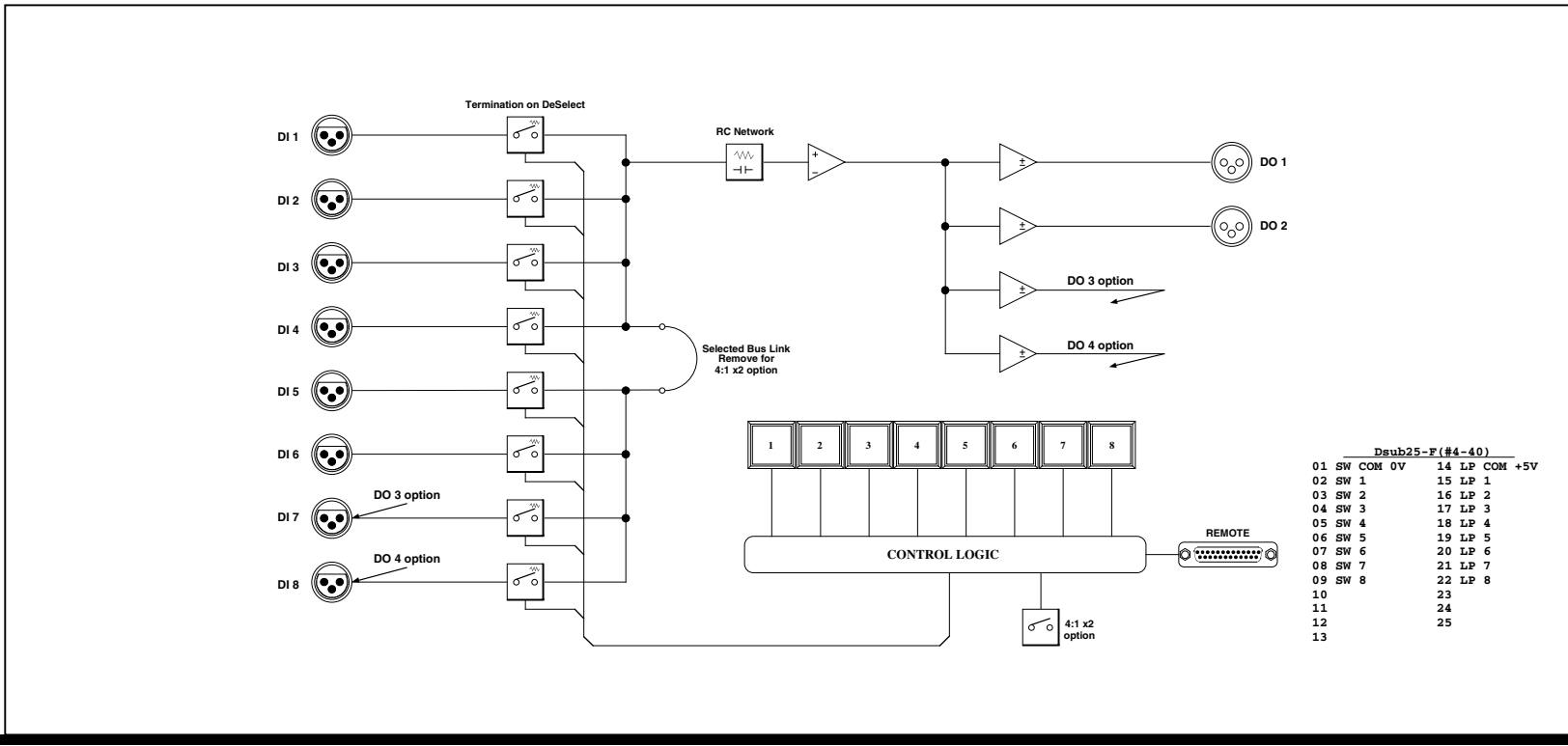
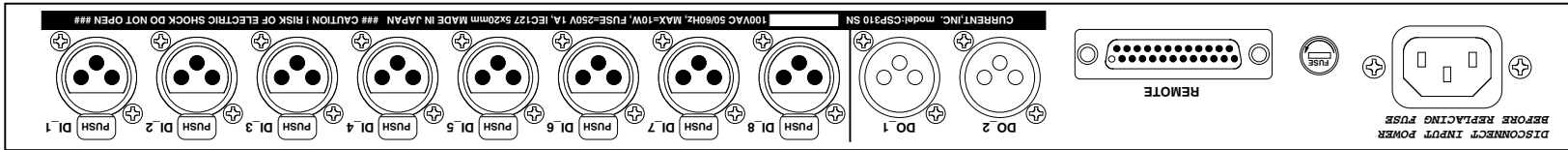
SPECIFICATIONS

- CSP310**
INPUTS: XLR3-F, 110Ω **OUTPUTS:** XLR3-M, 110Ω
- CSP310C**
INPUTS: BNC, 75Ω, 0.5V~5Vpp **OUTPUTS:** BNC, 75Ω, 1Vpp
- RESOLUTION:** 16 ~24bit **SAMPLING RATE:** 32kHz~96kHz
- EXTERNAL SYNC:** NONE **REMOTE:** Dsub25-F(#4-40)
- MAINS:** 100VAC 50/60Hz MAX 10W
- DIMENSIONS:** 482Wx44Hx303D, 4kg

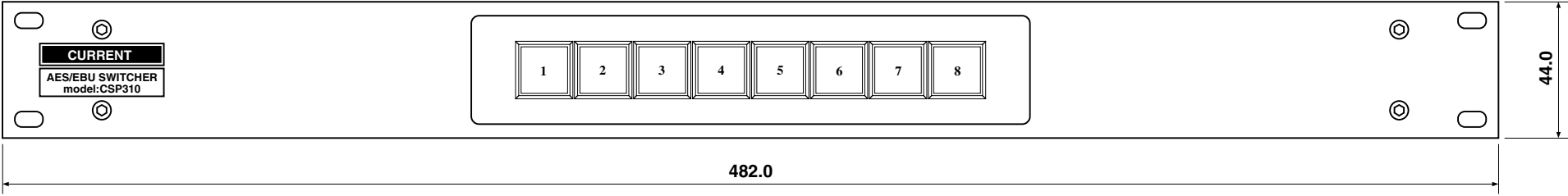
XLR type	CSP310	¥248,000
BNC type	CSP310C	¥248,000
XLR 4:1x2 type	CSP310-5	¥248,000
BNC 4:1x2 type	CSP310C-5	¥248,000
accessory : AC cable		

The specifications are subject to change without notice.
2-26-11 AKATSUTSUMI, SETAGAYA-KU, TOKYO, 156-0044 JAPAN

MONITOR SYSTEM
HEADPHONES AMP
CUE SYSTEM
SYSTEM AMP
T.B. COUGH SYSTEM
COMMUNICATION SYSTEM
MATRIX AMP
AUDIO ROUTER
AUDIO VIDEO SWITCHER
SYSTEM SWITCHER
EMERGENCY
AUDIO VIDEO DISTRIBUTOR
METER SYSTEM
ANALOG, DIGITAL
PREAMP MIXER
LEVEL UNIT
DIGITAL AUDIO
FADER UNIT
AUTO FADER
TALLY FADER
CLOCK, TIMER
EVENT SYSTEM
SPECIAL PRODUCTS
ETC.

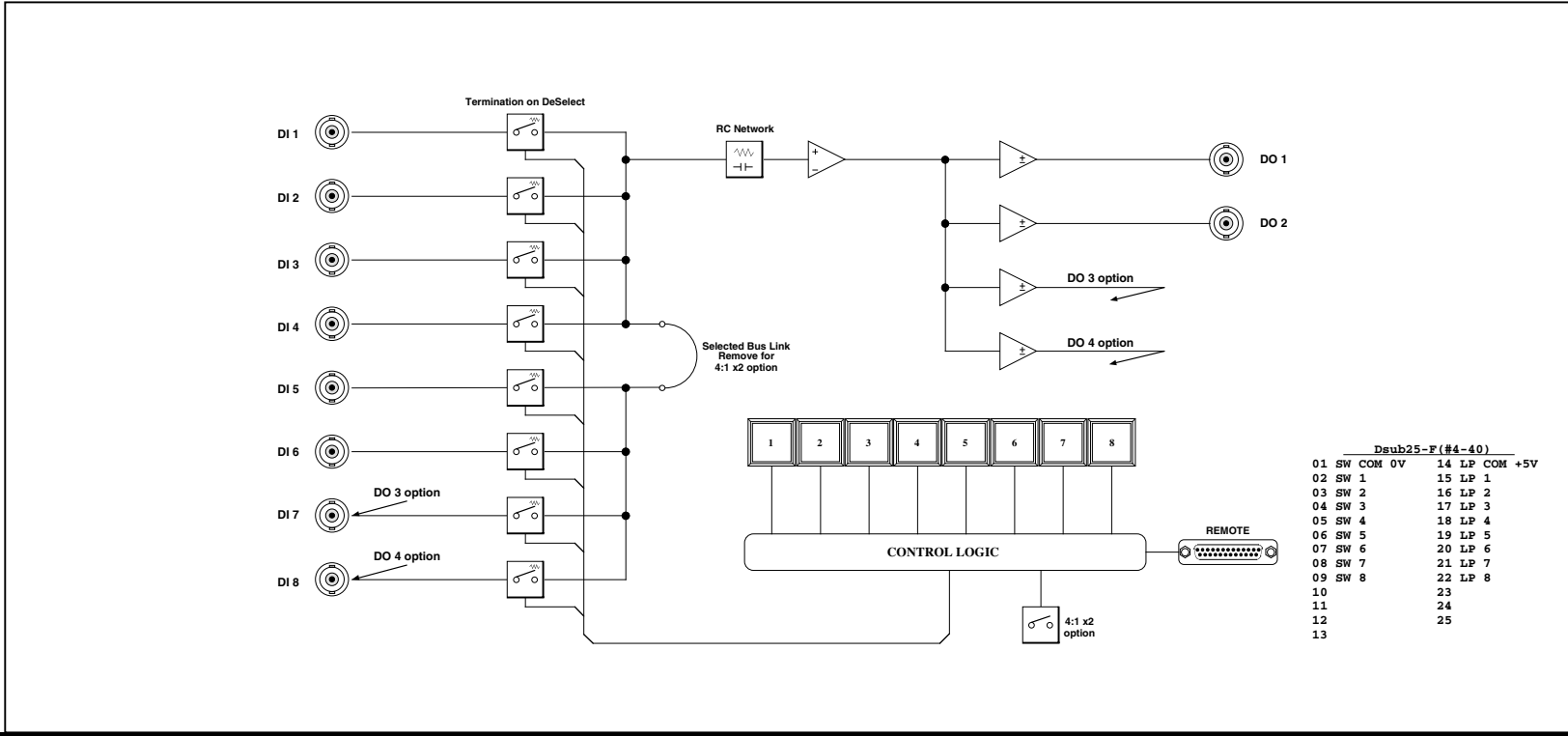
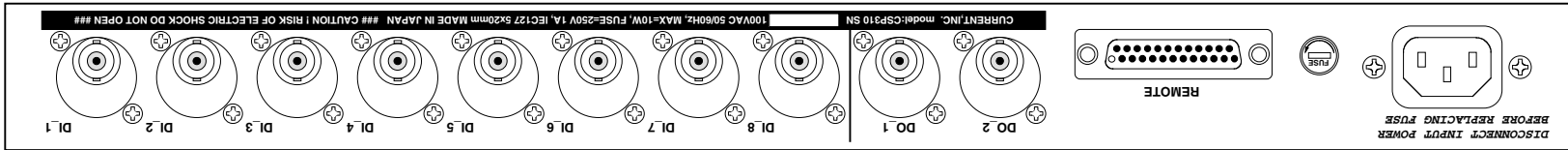


203.0



rev.3

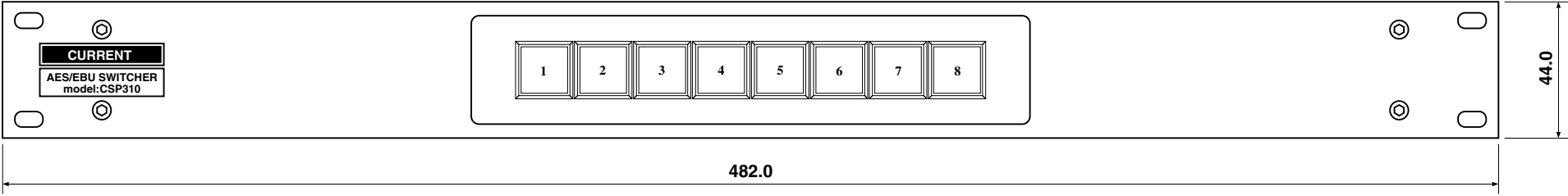
(c)CURRENT, INC.	AES/EBU SWITCHER CSP310	Sep.2018
H.ICHIHASHI	PANEL DIAGRAM	CSP310-D2018



Dsub25-F (#4-40)

01	SW	COM	0V	14	LP	COM	+5V
02	SW	1		15	LP	1	
03	SW	2		16	LP	2	
04	SW	3		17	LP	3	
05	SW	4		18	LP	4	
06	SW	5		19	LP	5	
07	SW	6		20	LP	6	
08	SW	7		21	LP	7	
09	SW	8		22	LP	8	
10				23			
11				24			
12				25			
13							

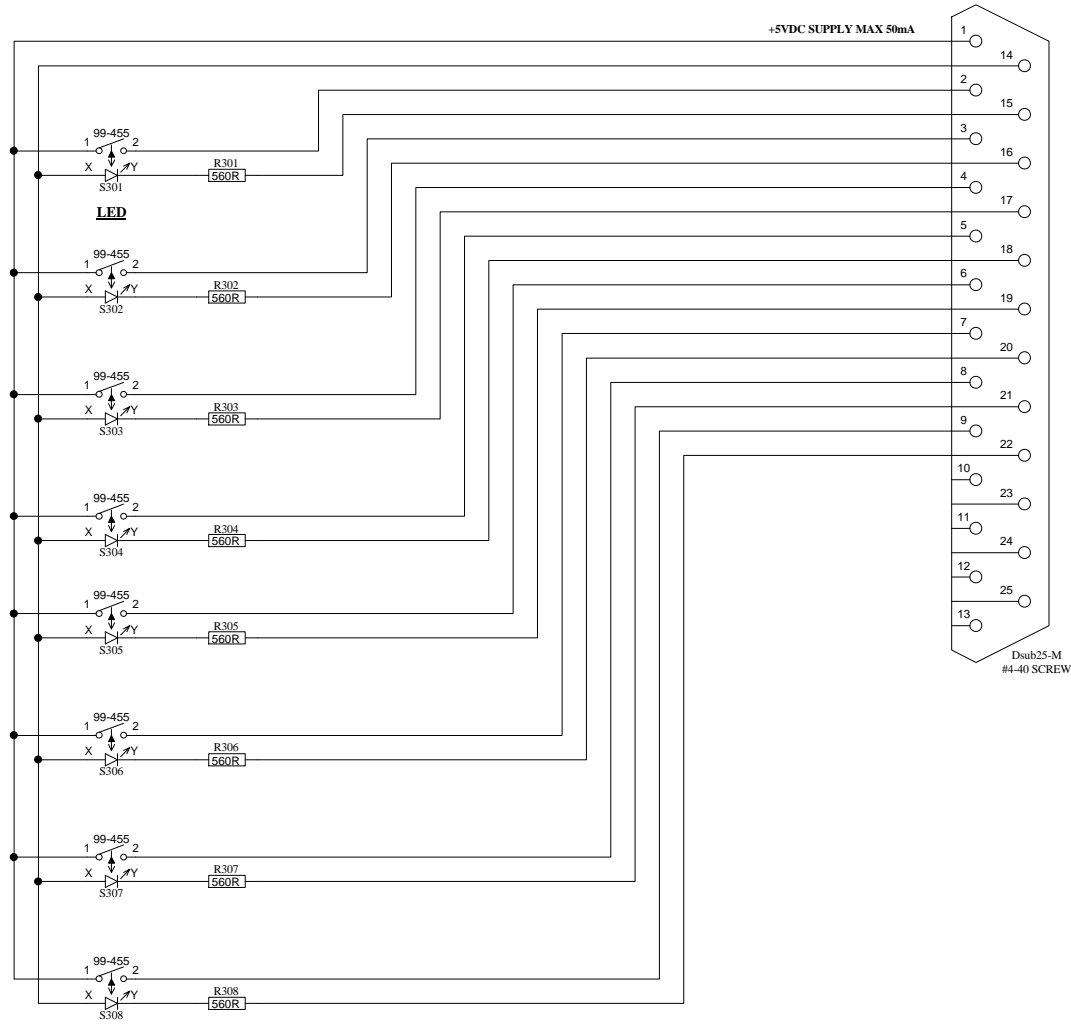
203.0



rev.3

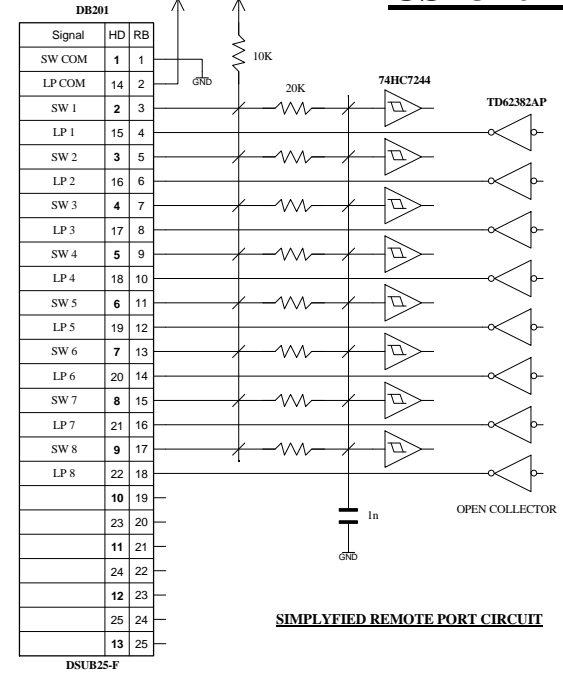
(c)CURRENT, INC.	AES/EBU SWITCHER CSP310C	Sep.2018
H.ICHIIHASHI	PANEL DIAGRAM	CSP310C-D2018

REMOTE PANEL



ALL SWITCHES ARE MOMENTALY ACTION

REAR PANEL REMOTE



CSP310 Remote Connector Pin List

CSP310 "Dsub25-F(#4-40)

Ribbon	Hard	Signal name	Designation	Active
1	1	0V	SWITCHES COMMON	0V
2	14	+5V	LAMPS COMMON	+5V
3	2	SW1	SELECT SWITCH 1	Lo
4	15	LP1	SELECT TALLY 1	Lo
5	3	SW2	SELECT SWITCH 2	Lo
6	16	LP2	SELECT TALLY 2	Lo
7	4	SW3	SELECT SWITCH 3	Lo
8	17	LP3	SELECT TALLY 3	Lo
9	5	SW4	SELECT SWITCH 4	Lo
10	18	LP4	SELECT TALLY 4	Lo
11	6	SW5	SELECT SWITCH 5	Lo
12	19	LP5	SELECT TALLY 5	Lo
13	7	SW6	SELECT SWITCH 6	Lo
14	20	LP6	SELECT TALLY 6	Lo
15	8	SW7	SELECT SWITCH 7	Lo
16	21	LP7	SELECT TALLY 7	Lo
17	9	SW8	SELECT SWITCH 8	Lo
18	22	LP8	SELECT TALLY 8	Lo
19	10			
20	23			
21	11			
22	24			
23	12			
24	25			
25	13			

CAUTION! D-Connector for wiring refer to Hard pin number Description. Mounting screw for D-connector use #4-40 size.

注意！ Dサブコネクタの接続はHardピン番号で接続してください。取付ビスは#4-40インチビスです。