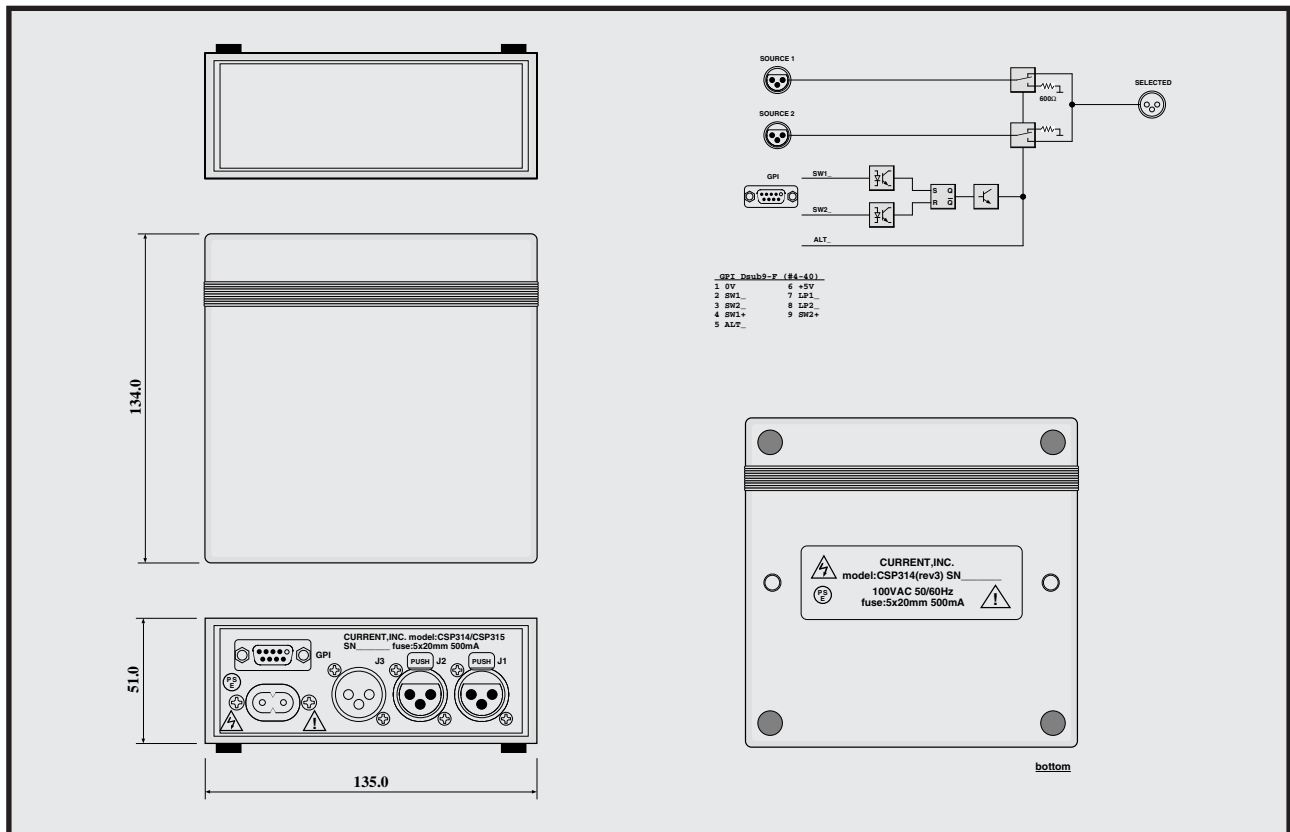


# CURRENT PRODUCTS model:CSP314

## 2:1 AUDIO SWITCHER



2:1 switcher  
 XLR or BNC  
 Remote control  
 Analog, digital  
 Compact

**CSP314 is a compact audio switcher of 2:1 specifications. It is available in analog or digital audio. It uses a relay for a switch element, and reliable switching is possible. Additionally, the primary side is bypassed in the power-off.**

### Input and output

The input of the side that is not chosen is termination by internal resistor.

In the case of an analog audio, it is terminated at 600 Ω and, in the case of digital, is terminated at 110 Ω (XLR) or 75 Ω (BNC).

### Remote

It switches it by remote control via the GPI port of the DSUB9 pin. The command can connect a switch, an open collector or relay contact. Additionally, resistor is built in it in the tarry output and can be directly connected to LED.

### Front panel

Front panel can implement a select switch with an option.

### Others

Please refer about the specifications of the non-standard.

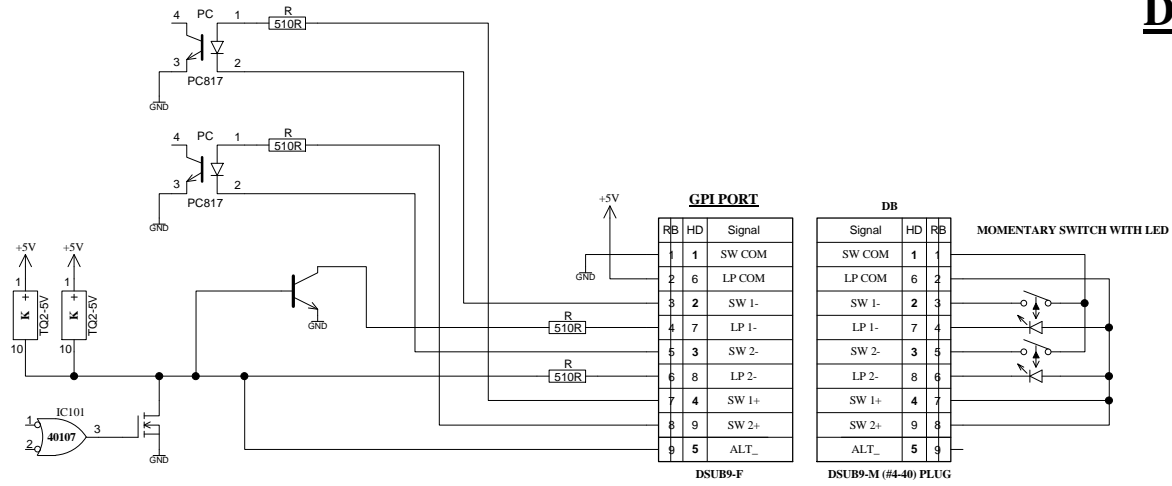
GPI DSUB9-F				GPI DSUB9-F (rev2)			
01	SW	COM	0V	06	LP	COM	+5V
02	SW1		07	LP1			
03	SW2		08	LP2			
04	ALT	SW	09	ALT	SW		
05							

## SPECIFICATIONS

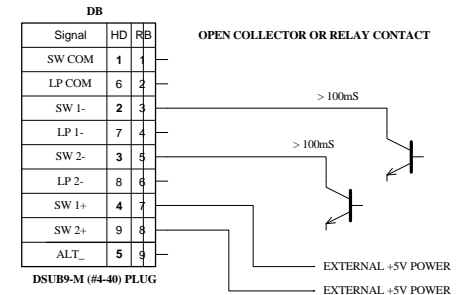
- INPUT CONNECTOR: XLR3-F, BNC
- OUTPUTS CONNECTOR: XLR3-M, BNC
- GPI: Dsub9-F #4-40
- MAINS: 100VAC 50/60Hz, MAX 3W
- DIMENSIONS: 135Wx51Hx134D 400g

"	XLR	CSP314	¥72,000
	XLR(SW)	CSP314-1	¥80,000
	XLR-AES	CSP314-2	¥72,000
	XLR-AES(SW)	CSP314-3	¥80,000
	BNC	CSP314-4	¥74,000
	BNC(SW)	CSP314-5	¥82,000
	accessory : AC cable"		

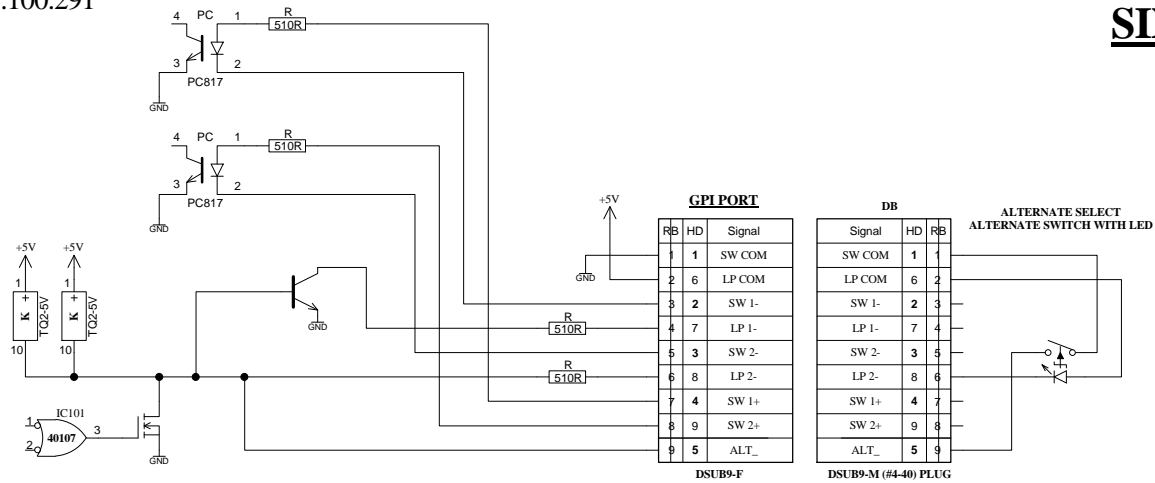
PCB:3.100.291



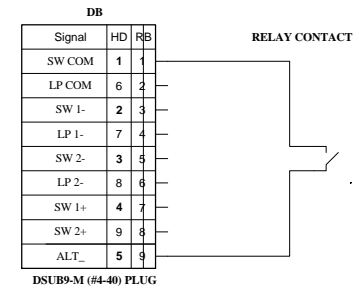
## DUAL SWITCH CONTROL



PCB:3.100.291



## SINGLE SWITCH CONTROL

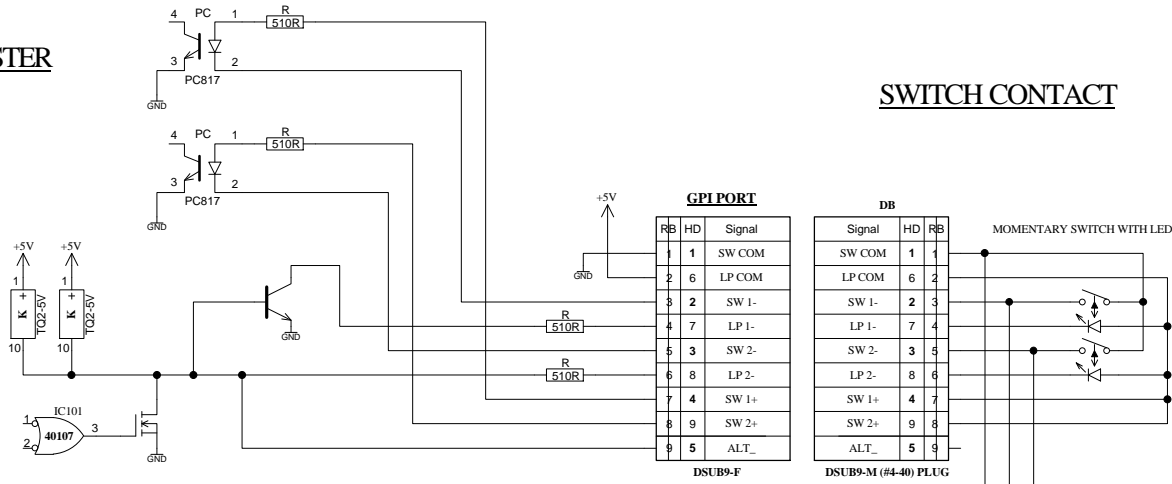


Applied to SERIAL ABOVE 3012 FOR CSP314, 3007 FOR CSP315

(c)CURRENT,INC.	CSP314/CSP315	OCT.2016
H.ICHIIHASHI	GPI REMOTE CONNECTION 3	1 OF 1

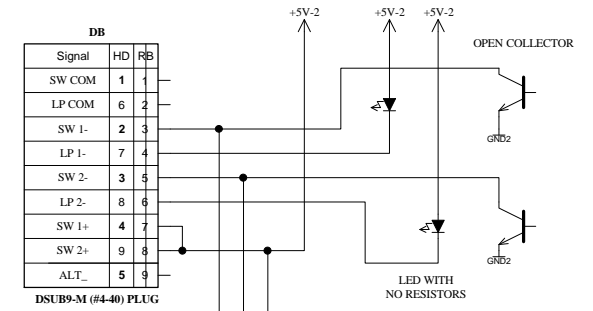
PCB:3.100.291

MASTER



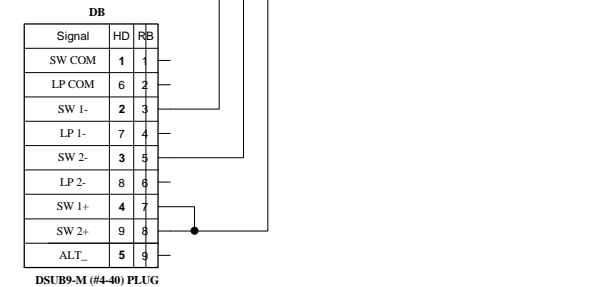
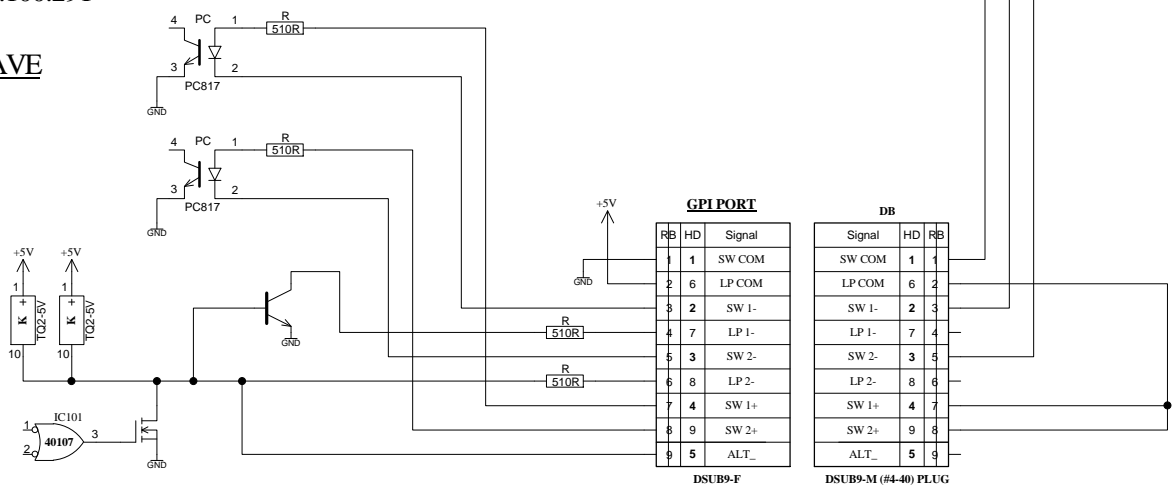
SWITCH CONTACT

TALLY



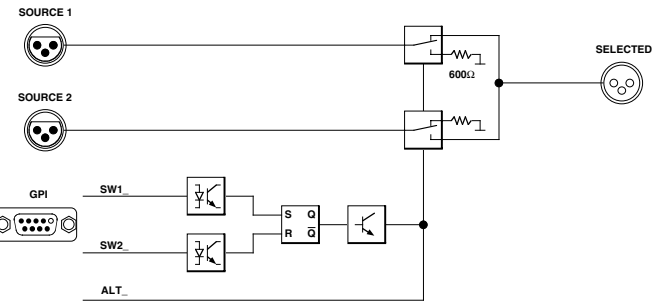
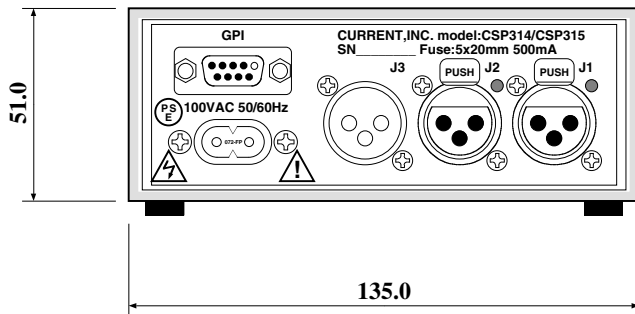
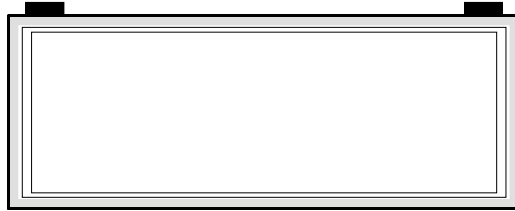
PCB:3.100.291

SLAVE



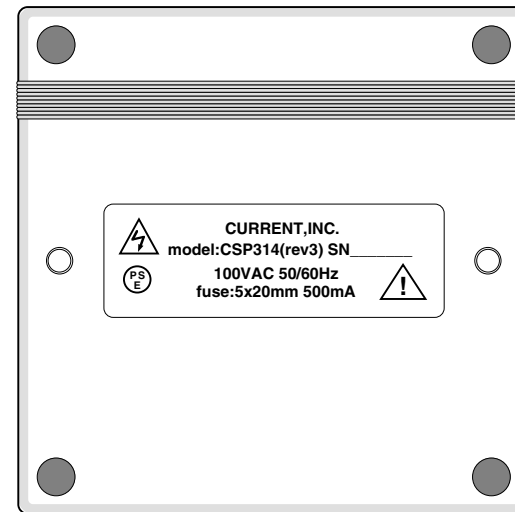
**DUAL CONTROL**

(c)CURRENT,INC.	CSP314/CSP315	OCT.2016
H.ICHIHASHI	GPI REMOTE CONNECTION 3	1 OF 1



GPI Dsub9-F (#4-40)

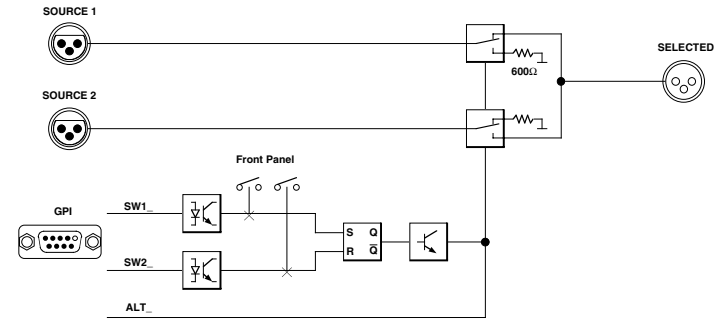
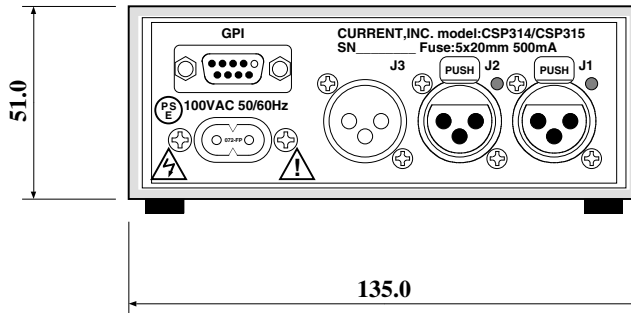
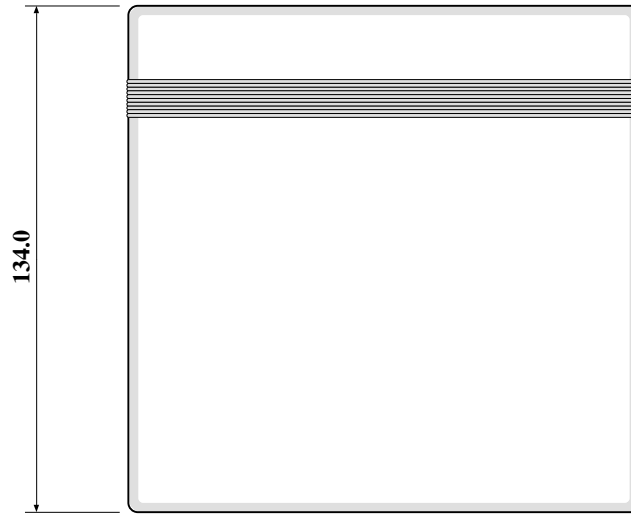
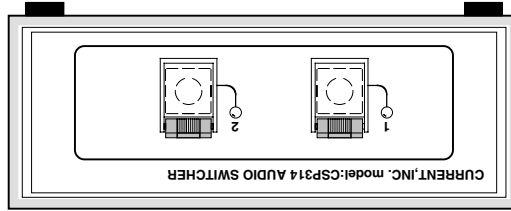
1 0V	6 +5V
2 SW1_	7 LP1_
3 SW2_	8 LP2_
4 SW1+	9 SW2+
5 ALT_	



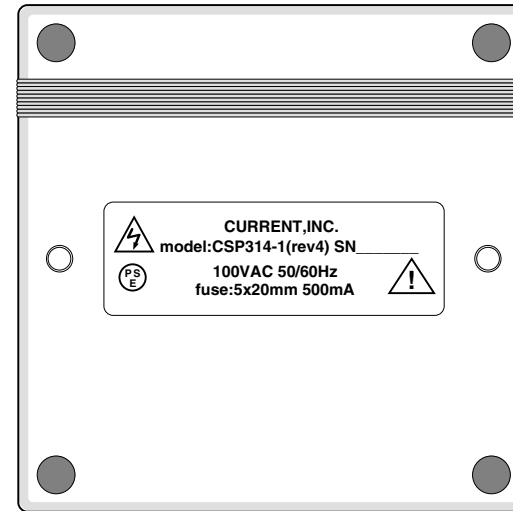
bottom

≥rev3

(c)CURRENT,INC.	CSP314 AUDIO SWITCHER	Jul.2022
H.ICHIHASHI	ANALOG, XLR	CSP314-D2022 rev3



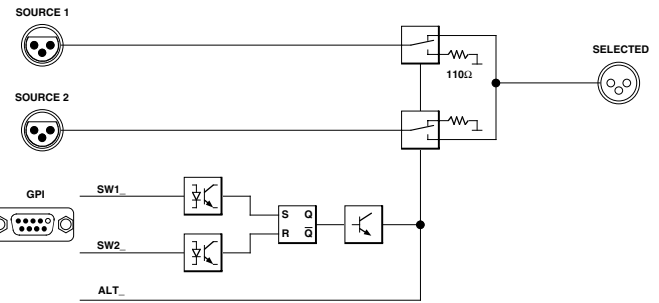
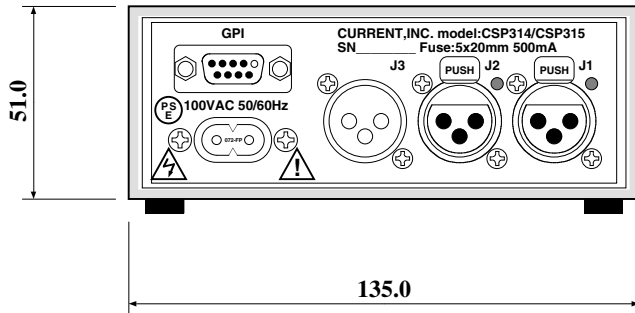
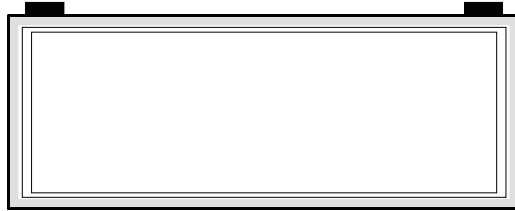
- GPI Dsub9-F (#4-40)**
- 1 0V
  - 2 SW1\_
  - 3 SW2\_
  - 4 SW1+
  - 5 ALT\_
  - 6 +5V
  - 7 LP1\_
  - 8 LP2\_
  - 9 SW2+



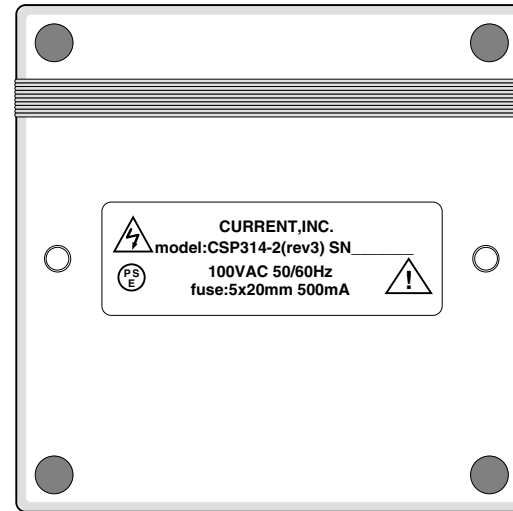
**bottom**

≥ Rev.4

(c)CURRENT,INC.	<b>CSP314-1 AUDIO SWITCHER</b>	Jun.2022
H.ICHIHASHI	<b>ANALOG, XLR, FRONT SWITCH</b>	Nov.2021
		CSP314-1D rev4



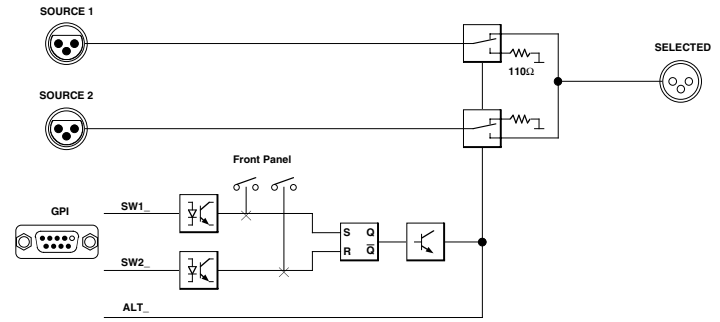
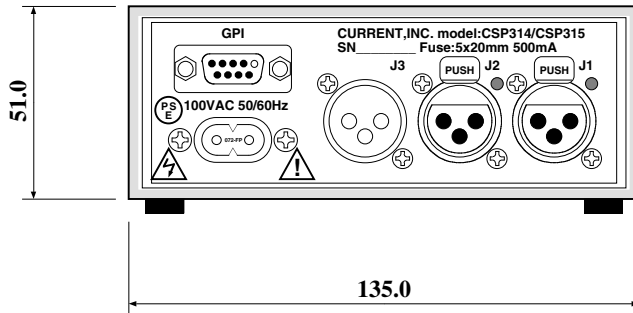
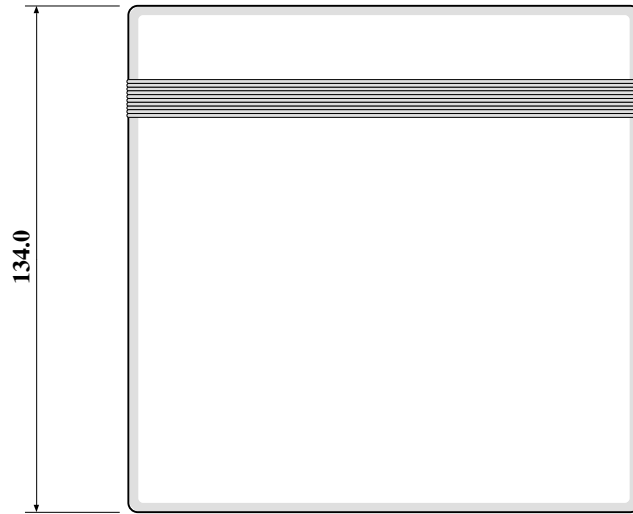
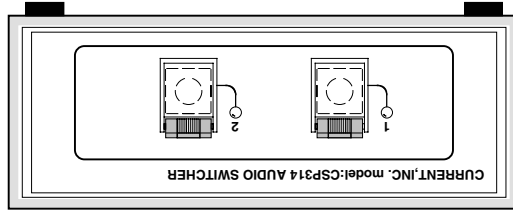
- GPI Dsub9-F (#4-10)
- |        |        |
|--------|--------|
| 1 OV   | 6 +5V  |
| 2 SW1_ | 7 LP1_ |
| 3 SW2_ | 8 LP2_ |
| 4 SW1+ | 9 SW2+ |
| 5 ALT_ |        |



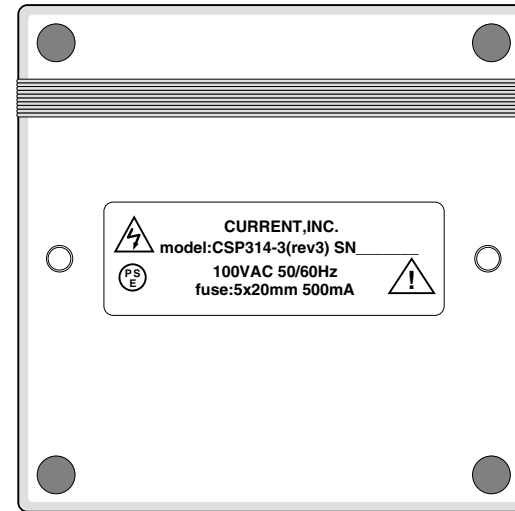
bottom

≥rev3

(c)CURRENT,INC.	<b>CSP314-2 AUDIO SWITCHER</b>	Jun.2022
H.ICHIHASHI	<b>AES, XLR</b>	CSP314-2D2022 rev3



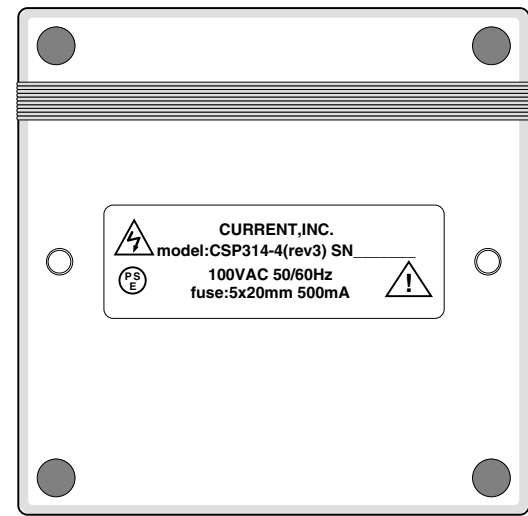
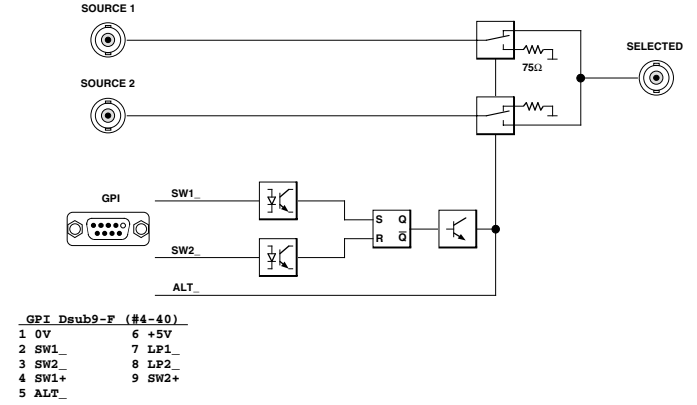
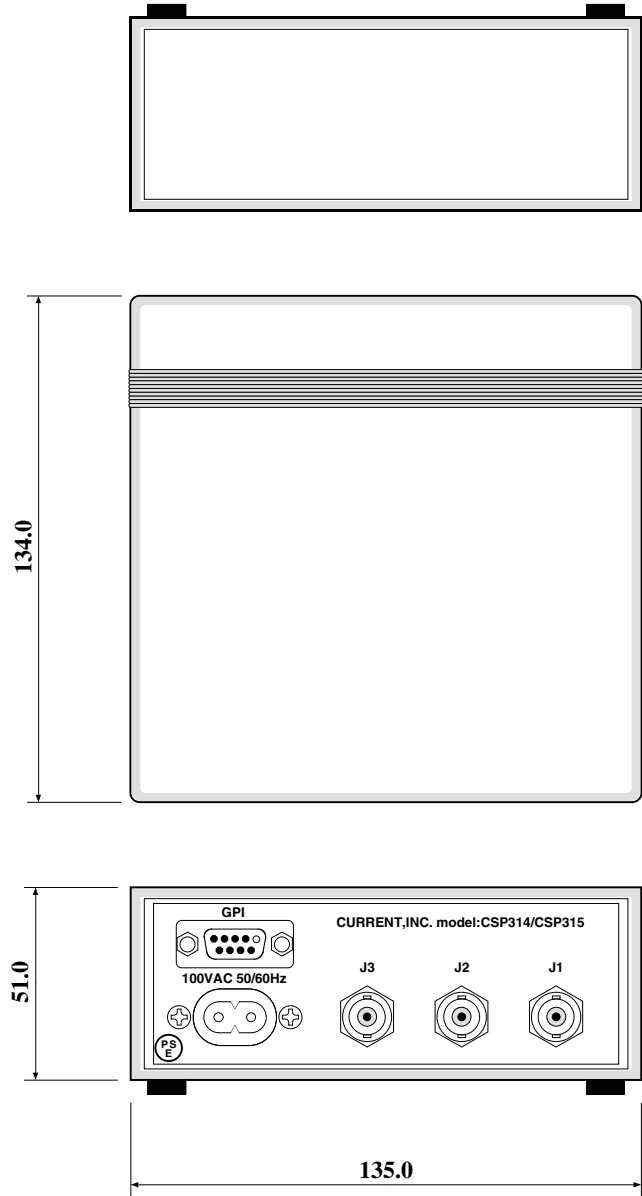
- GPI Dsub9-F (#4-40)**
- 1 0V
  - 2 SW1\_
  - 3 SW2\_
  - 4 SW1+
  - 5 ALT\_
  - 6 +5V
  - 7 LP1\_
  - 8 LP2\_
  - 9 SW2+



bottom

≥rev3

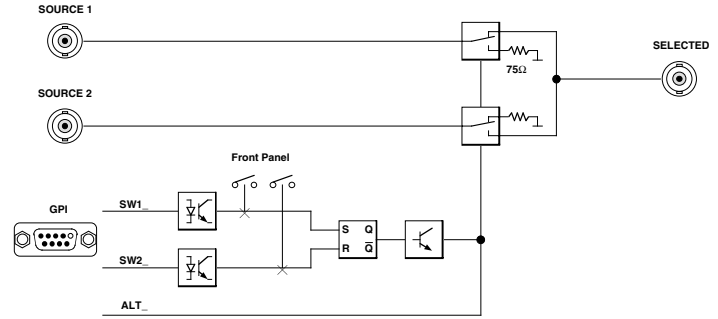
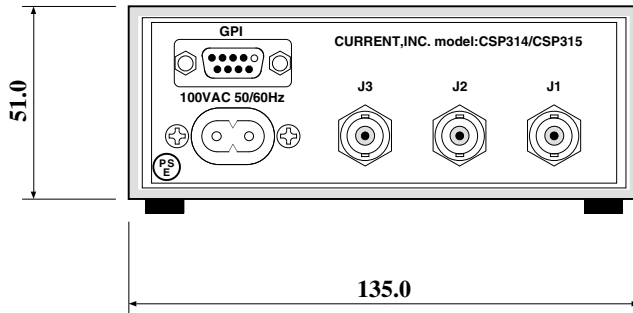
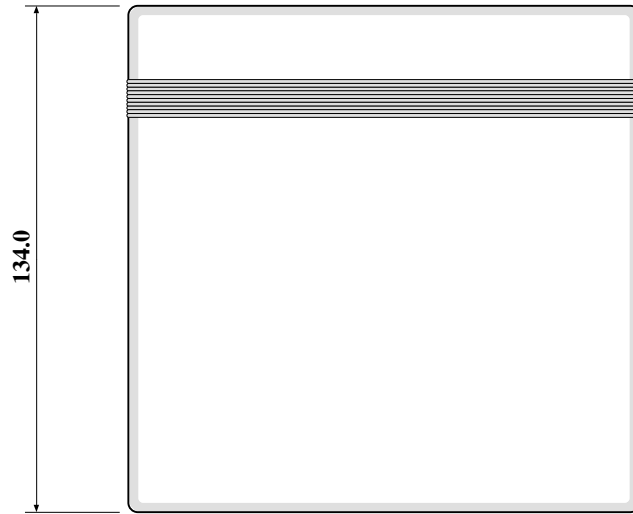
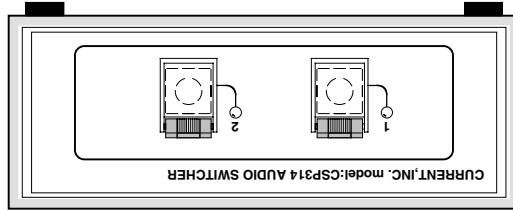
(c)CURRENT, INC.	<b>CSP314-3 AUDIO SWITCHER</b>	Jul.2022
H.ICHIHASHI	<b>AES, XLR, FRONT SWITCH</b>	CSP314-3D2022 rev3



≥rev3

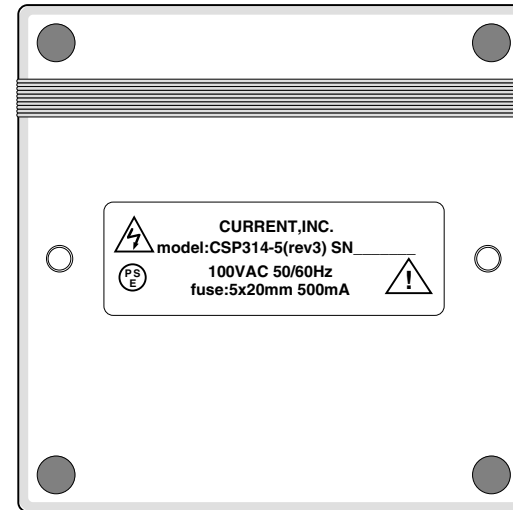
(c)CURRENT,INC.	<b>CSP314-4 AUDIO SWITCHER</b>	Jun.2022
H.ICHIHASHI	<b>AES, BNC</b>	CSP314-4D2022 rev3





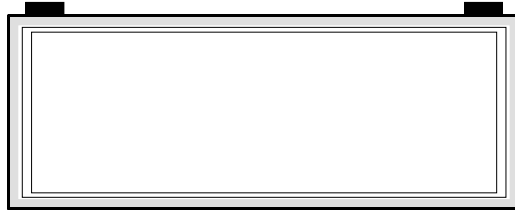
**GPI Dsub9-F (#4-40)**

1 0V	6 +5V
2 SW1_	7 LP1_
3 SW2_	8 LP2_
4 SW1+	9 SW2+
5 ALT_	

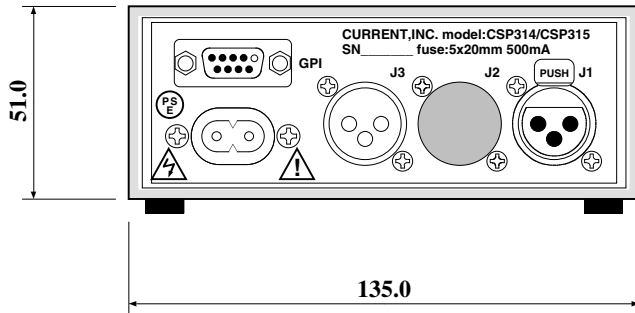


≥rev3

(c)CURRENT,INC.	<b>CSP314-5 AUDIO SWITCHER</b>	Jun.2022
H.ICHIHASHI	<b>AES, BNC FRONT SWITCH</b>	CSP314-5D2022 rev3

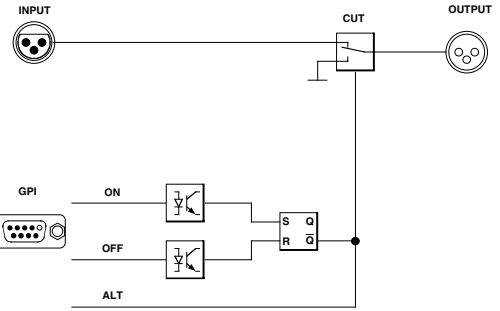


134.0

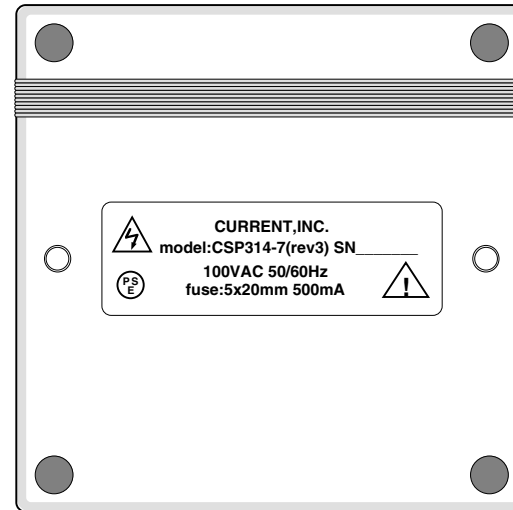


51.0

135.0



REMOTE Daub9-F (#4-40)  
 1 0V            6 +5V  
 2 ON SW        7 ON LP  
 3 OFF SW      8 OFF LP  
 4 ALT SW       9 ALT SW  
 5 ALT\_



≥rev3

(c)CURRENT,INC.	CSP314-7 MUTE UNIT	Jul.2022
H.ICHIHASHI	ANALOG, XLR	CSP314-7D2022 rev3