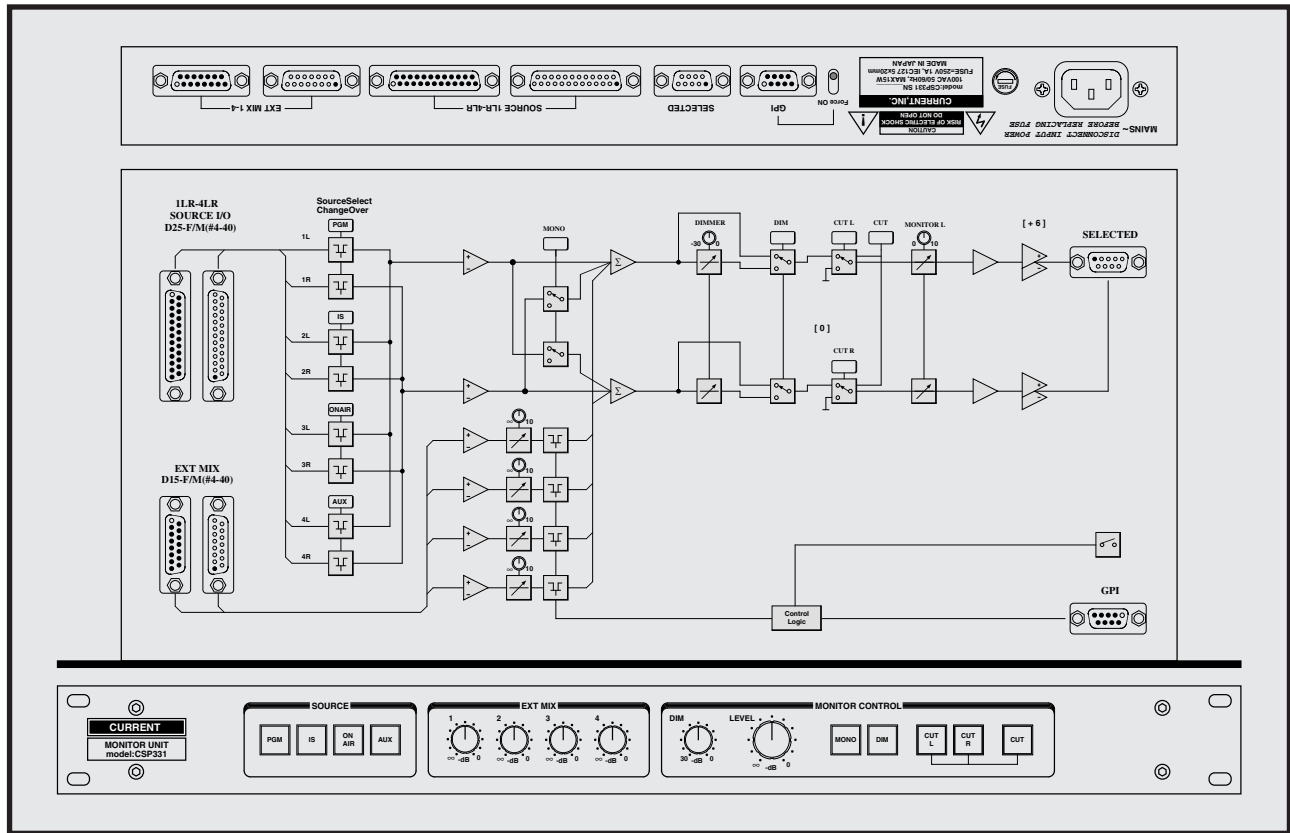


# CURRENT PRODUCTS model:CSP331

## MONITOR UNIT



- 4 stereo system input monitors
- 4ch external mix
- DIM level control
- Low noise, high-quality sound
- 19 inches 1U size

**CSP331 is a monitor system of the stereo input of 4 systems. It can use it for the insertion such as the talkback by a function to mix an external source of 4ch to the source which it chose. It provides a super low noise and no coloring sound by parts selected carefully and superior circuit configuration.**

### "Source input"

It can choose one of the stereo sources of 4 systems. It enables it to connect meters to the through output that a male and the female of the Dsub25 connector are connected to parallel.

### "EXT input "

The external source of 4ch can set a mix level with front panel individually. In addition, the external source chooses it in a GPI port. When it does not use a GPI port, it can always turn it on with a switch of the rear panel. In addition, as for the connector, male and female of Dsub15 is linked to parallel.

### "DIM"

It can use 0dB to -30dB continuous variable DIM levels together with a monitor level to set a fine monitor level.

### "Monitor level"

It can cut the L and R individually or together.

### SOURCE I/O DSUB25-F/M

01 1L +	14 1L -
02 1L GND	15 1R +
03 1R -	16 1R GND
04 2L +	17 2L -
05 2L GND	18 2R +
06 2R -	19 2R GND
07 3L +	20 3L -
08 3L GND	21 3R +
09 3R -	22 3R GND
10 4L +	23 4L -
11 4L GND	24 4R +
12 4R -	25 4R GND
13	

### EXT I/O DSUB15-F/M

01 1 +	09 1 -
02 1 GND	10 2 +
03 2 -	11 2 GND
04 3 +	12 3 -
05 3 GND	13 4 +
06 4 -	14 4 GND
07	15
08	
<b>EXT I/O DSUB9-M</b>	
01 L +	06 L -
02 L GND	07 R +
03 R -	08 R GND
04	09
05	

## SPECIFICATIONS

- ▲SOURCE INPUTS: STEREO x4, BALANCED, 20kΩ, D15-F/M(#4-40)
- ▲EXT INPUTS : 4ch, BALANCED, 20kΩ, D15-F/M(#4-40)
- ▲INPUT REFERENCE: +4dBu, max=+24dBu
- ▲OUTPUTS: BALANCED, 50Ω, D25-M(#4-40)
- ▲OUTPUTS REFERENCE LEVEL: +4dBu, MAX=+24dBu
- ▲FREQ.RESPONSE: 20 to 20kHz ±0.1dB
- ▲THD: <0.01% at Ref.Level ▲EIN: <-90dB
- ▲GPI: Dsub9-F(#4-40)
- ▲MAINS: 100VAC 50/60Hz MAX 15W
- ▲DIMENSIONS: 482Wx44Hx303D, 4kg

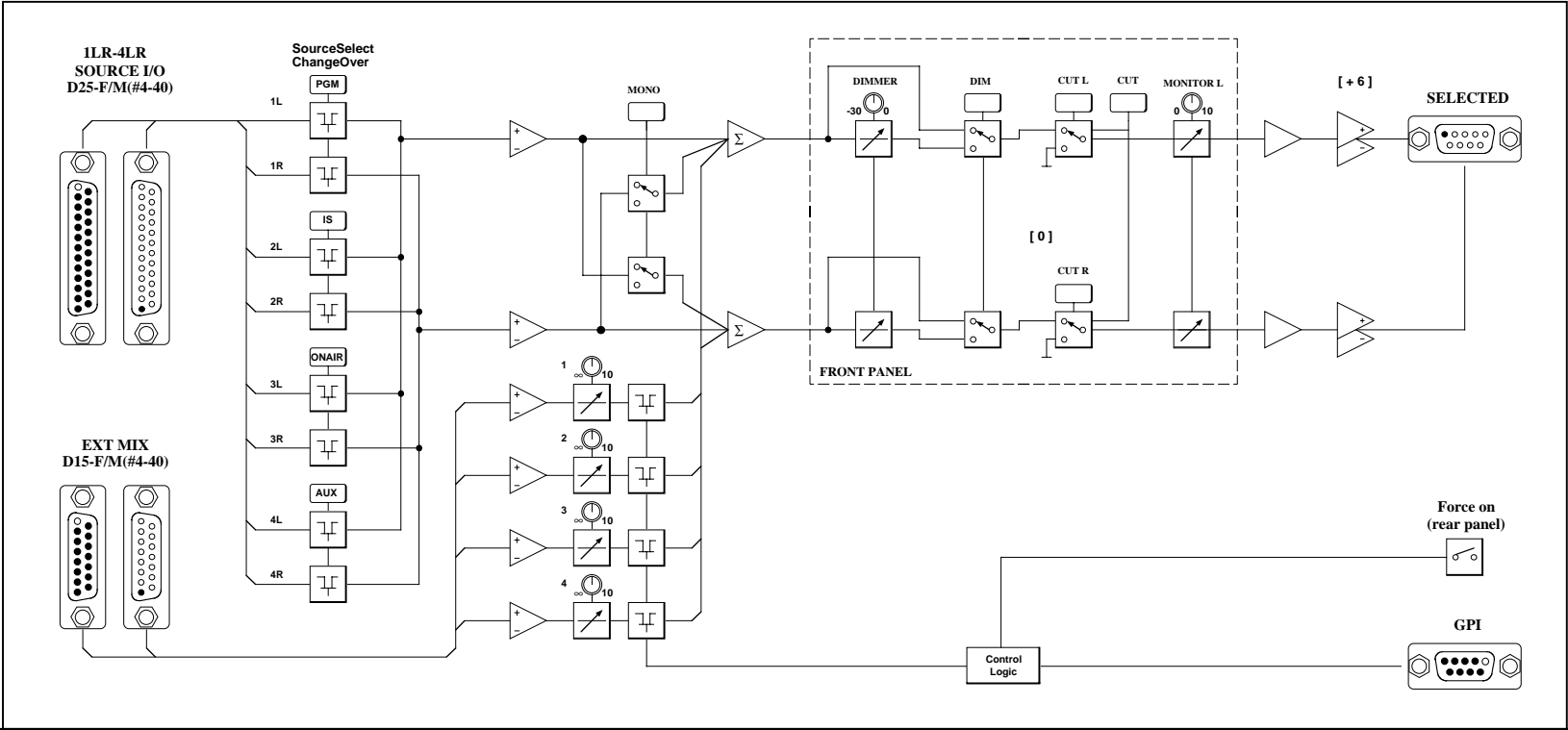
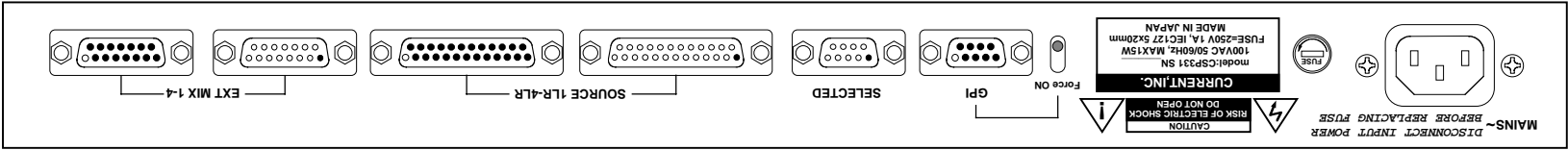


MONITOR UNIT CSP331 ¥398,000

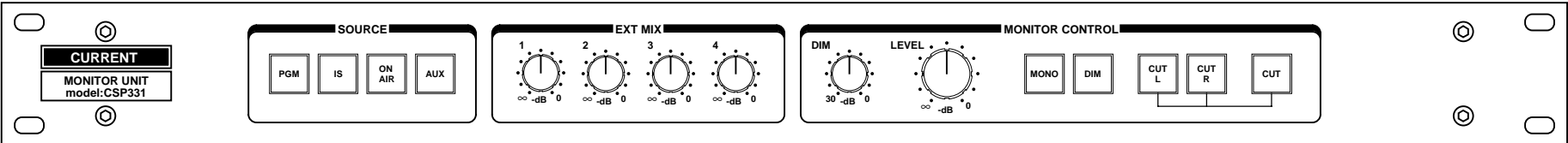
accessory : I/O cable 1.5m, AC cable

The specifications are subject to change without notice.  
2-26-11 AKATSUTSUMI, SETAGAYA-KU, TOKYO, 156-0044 JAPAN

MONITOR SYSTEM  
HEADPHONES AMP  
CUE SYSTEM  
COMMUNICATION  
TR. COUGH SYSTEM  
MATRIX AMP  
AUDIO ROUTER  
AUDIO VIDEO  
SWITCHER  
SYSTEM SWITCHER  
EMERGENCY  
AUDIO VIDEO  
DISTRIBUTOR  
METER SYSTEM  
ANALOG, DIGITAL  
PREAMP MIXER  
LEVEL UNIT  
DIGITAL AUDIO  
FADER UNIT  
AUTO FADER  
TALLY FADER  
CLOCK, TIMER  
EVENT SYSTEM  
SPECIAL PRODUCTS  
ETC.



302.6



44.0

482.0

(c)CURRENT, INC.	CSP331 MONITOR UNIT	Jan.2006
H.ICHIIHASHI	PANEL DIAGRAM	CSP331-D

## CSP331 "SOURCE 1-4" D25-F/M(#4-40) Connector Pin List

Ribbon	Hard	Signal name	Description	Active
1	1	CH1+	SOURCE INPUT 1L+	
2	14	CH1-	SOURCE INPUT 1L-	
3	2	CH1G	GND	
4	15	CH2+	SOURCE INPUT 1R+	
5	3	CH2-	SOURCE INPUT 1R0	
6	16	CH2G	GND	
7	4	CH3+	SOURCE INPUT 2L+	
8	17	CH3-	SOURCE INPUT 2L-	
9	5	CH3G	GND	
10	18	CH4+	SOURCE INPUT 2R+	
11	6	CH4-	SOURCE INPUT 2R-	
12	19	CH4G	GND	
13	7	CH5+	SOURCE INPUT 3L+	
14	20	CH5-	SOURCE INPUT 3L-	
15	8	CH5G	GND	
16	21	CH6+	SOURCE INPUT 3R+	
17	9	CH6-	SOURCE INPUT 3R-	
18	22	CH6G	GND	
19	10	CH7+	SOURCE INPUT 4L+	
20	23	CH7-	SOURCE INPUT 4L-	
21	11	CH7G	GND	
22	24	CH8+	SOURCE INPUT 4R+	
23	12	CH8-	SOURCE INPUT 4R-	
24	25	CH8G	GND	
25	13			

注意！ Dサブコネクタの接続はHARDピン番号で接続してください。

取付ビスは#4 - 40インチビスを使用して下さい

**CAUTION! D-Connector for wiring refer toHard pin number Description.**

**Mounting screw for D-connector use #4-40 size.**

## CSP331 "EXT MIX 1-4" D15-F/M(#4-40) Connector Pin List

Ribbon	Hard	Signal name	Designation	Active
1	1	CH1+	EXT MIX INPUT 1+	
2	9	CH1-	EXT MIX INPUT 1-	
3	2	CH1G	GND	
4	10	CH2+	EXT MIX INPUT 2+	
5	3	CH2-	EXT MIX INPUT 2-	
6	11	CH2G	GND	
7	4	CH3+	EXT MIX INPUT 3+	
8	12	CH3-	EXT MIX INPUT 3-	
9	5	CH3G	GND	
10	13	CH4+	EXT MIX INPUT 4+	
11	6	CH4-	EXT MIX INPUT 4-	
12	14	CH4G	GND	
13	7			
14	15			
15	8			

注意！ Dサブコネクタの接続はHARDピン番号で接続してください。

取付ビスは#4 - 40インチビスを使用して下さい

**CAUTION! D-Connector for wiring refer toHard pin number Description.**

**Mounting screw for D-connector use #4-40 size.**

# CSP331 Connector Pin List

<b>"SELECTED" D9-M(#4-40)</b>				
<b>Ribbon</b>	<b>Hard</b>	<b>Signal name</b>	<b>Designation</b>	<b>Active</b>
1	1	CH1+	SELECTED OUTPUT L+	
2	6	CH1-	SELECTED OUTPUT L-	
3	2	CH1G	GND	
4	7	CH2+	SELECTED OUTPUT R+	
5	3	CH2-	SELECTED OUTPUT R-	
6	8	CH2G	GND	
7	4			
8	9			
9	5			
<b>"GPI" D9-F(#4-40)</b>				
<b>Ribbon</b>	<b>Hard</b>	<b>Signal name</b>	<b>Designation</b>	<b>Active</b>
1	1	SW COM	SWITCHES COMMON	0V
2	6	LP COM	LAMPS COMMON	+5V
3	2	S-EXT1	EXT MIX ENABLE 1	Lo
4	7			
5	3	S-EXT2	EXT MIX ENABLE 2	Lo
6	8			
7	4	S-EXT3	EXT MIX ENABLE 3	Lo
8	9			
9	5	S-EXT4	EXT MIX ENABLE 4	Lo
<p>EXT MIX ENABLEを使用しない場合にはリヤパネルで強制ONに出来ます。</p> <p>注意！ Dサブコネクタの接続はHARDピン番号で接続してください。 取付ビスは#4 - 40インチビスを使用して下さい</p> <p><b>CAUTION! D-Connector for wiring refer toHard pin number Description.</b> <b>Mounting screw for D-connector use #4-40 size.</b></p>				