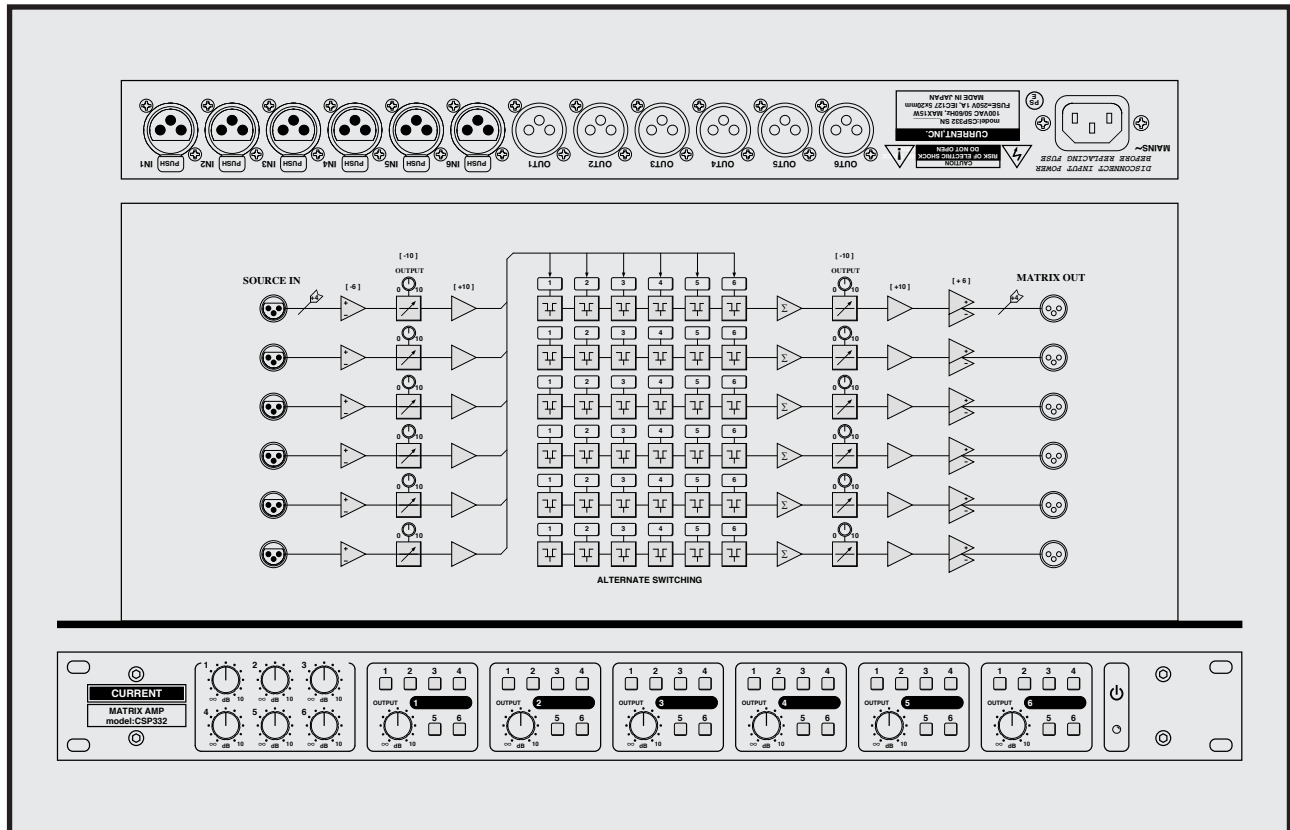


# CURRENT PRODUCTS model:CSP332

## MATRIX AMP



### 6x6 audio matrix

With input-output trim

Low noise, high-quality sound

Design with high visibility

19 inches 1U size

**CSP332 is an audio matrix amplifier with 6 input-output. By a panel design with high visibility, it can do setting and in condition confirmation quickly. The application by various uses such as the distribution of the general audio, the distribution of the income system is possible.**

### "INPUT"

In the input section of 6 routes, there is a variable in matrix source level from infinite repetition to +10dB.

### "MATRIX"

It can assign each source in the matrix output section of 6 routes independently. The assigned signal is mixed and is output via output level control. As for the output level, a variable is possible from infinite repetition to +10dB.

### "Others"

Please refer about the production of the matrix amplifier of different specifications.

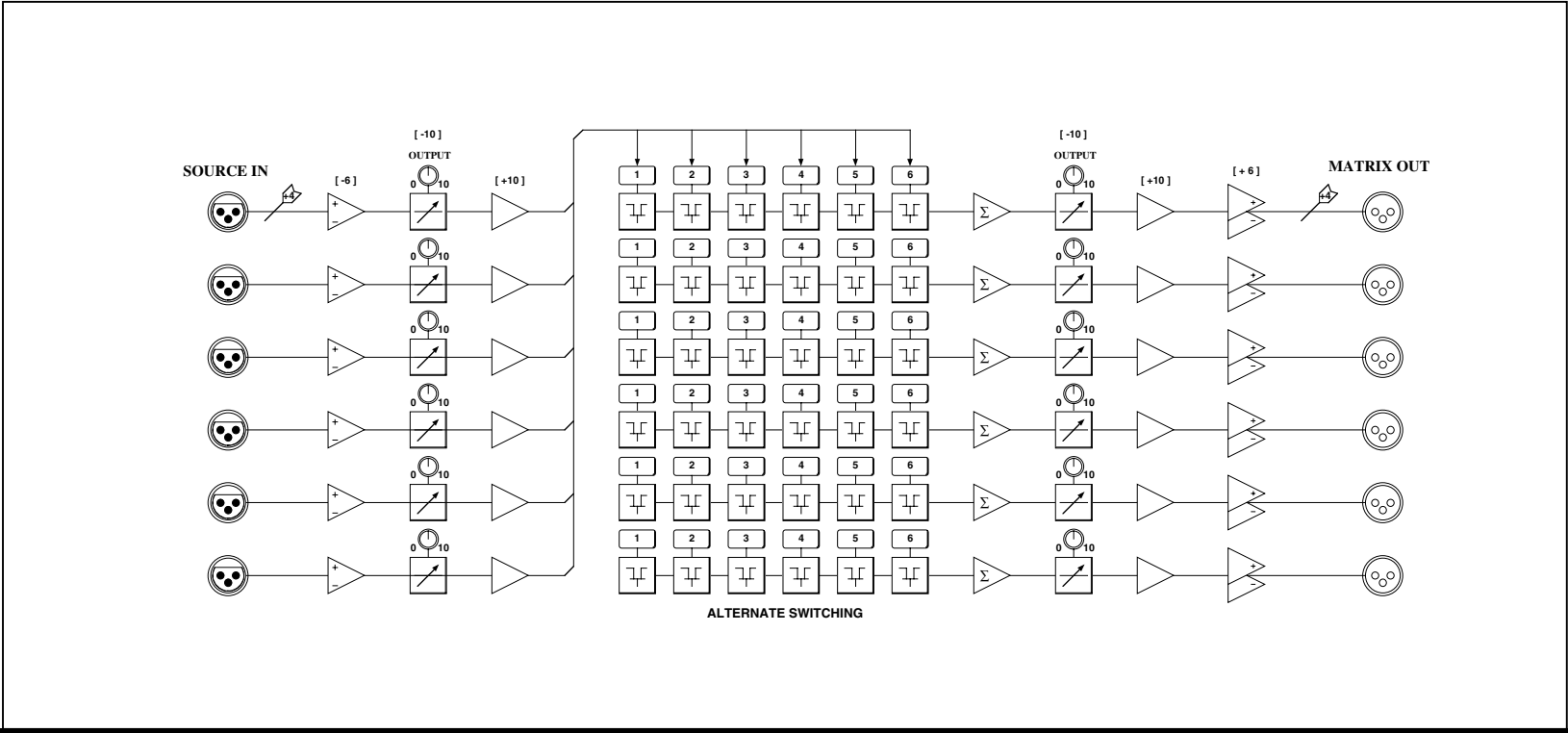
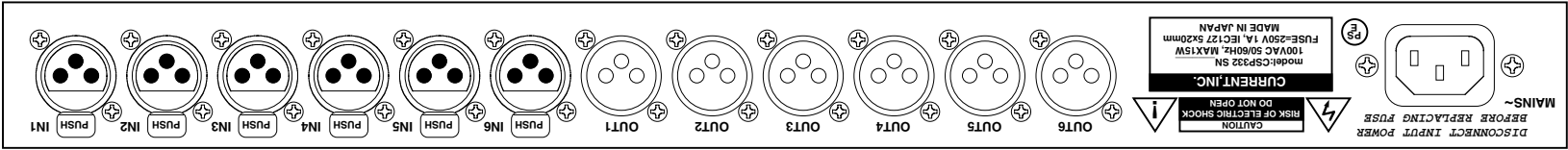


### SPECIFICATIONS

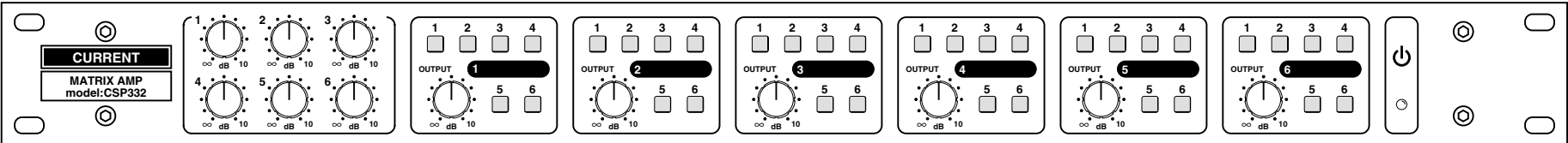
- 🍎 **SOURCE INPUTS:** 6
- 🍎 **INPUTS IMPEDANCE:** BALANCED, 11kΩ
- 🍎 **INPUTS LEVEL:** REF=+4dBu, MAX=+24dBu
- 🍎 **INPUTS CONNECTOR:** XLR3-F TYPE
- 🍎 **MATRIX OUTPUTS:** 6
- 🍎 **OUTPUTS IMPEDANCE:** BALANCED 150Ω
- 🍎 **OUTPUTS LEVEL:** REF=+4dBu, MAX=+24dBu
- 🍎 **OUTPUTS CONNECTOR:** XLR3-M TYPE
- 🍎 **FREQUENCY RESPONSE:** 20Hz~20kHz ±0.1dB
- 🍎 **THD:** < 0.01% at 1kHz REFERENCE LEVEL
- 🍎 **MAINS:** 100VAC 50/60Hz, 10W MAX
- 🍎 **DIMENSIONS:** 482Wx444Hx303D, 4kg

|                      |        |          |
|----------------------|--------|----------|
| Matrix amp           | CSP332 | ¥560,000 |
| accessory : AC cable |        |          |

The specifications are subject to change without notice.  
2-26-11 AKATSUTSUMI, SETAGAYA-KU, TOKYO, 156-0044 JAPAN



302.6



44.0

482.0

|                  |                   |          |
|------------------|-------------------|----------|
| (c)CURRENT, INC. | CSP332 MATRIX AMP | Mar.2006 |
| H. ICHIHASHI     | PANEL DIAGRAM     | CSP332-D |