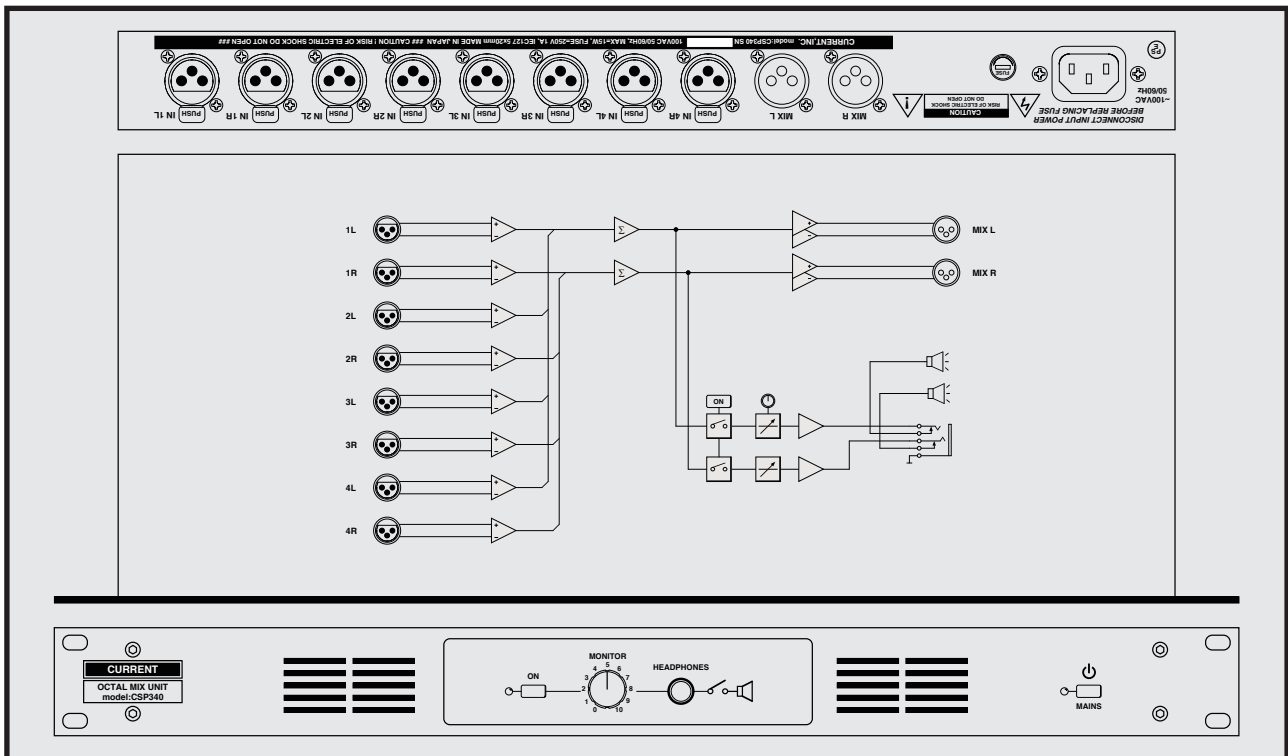


CURRENT PRODUCTS model:CSP340

OCTAL MIX MONITOR



Mix in 8ch of high quality
 It is most suitable for monitor of DAW
 Monitor is possible with front panel speaker
 Headphone monitor is possible
 19 inches 1U size

It is unit CSP340 mixes 8ch source with odd channel, even channel, and to output, and it is possible for mix monitor with stereo speaker of front panel or headphone.

"8ch mix"

Input of CSP340 is connector of XLR type. It mixes 1, 3, 5, 7 channels with unity gain and outputs it to ODD connector. Likewise, it outputs 2, 4, 6, 8 channels to EVEN. All outputs channel outputs input source by mix of high quality with balance specifications.

"Front panel"

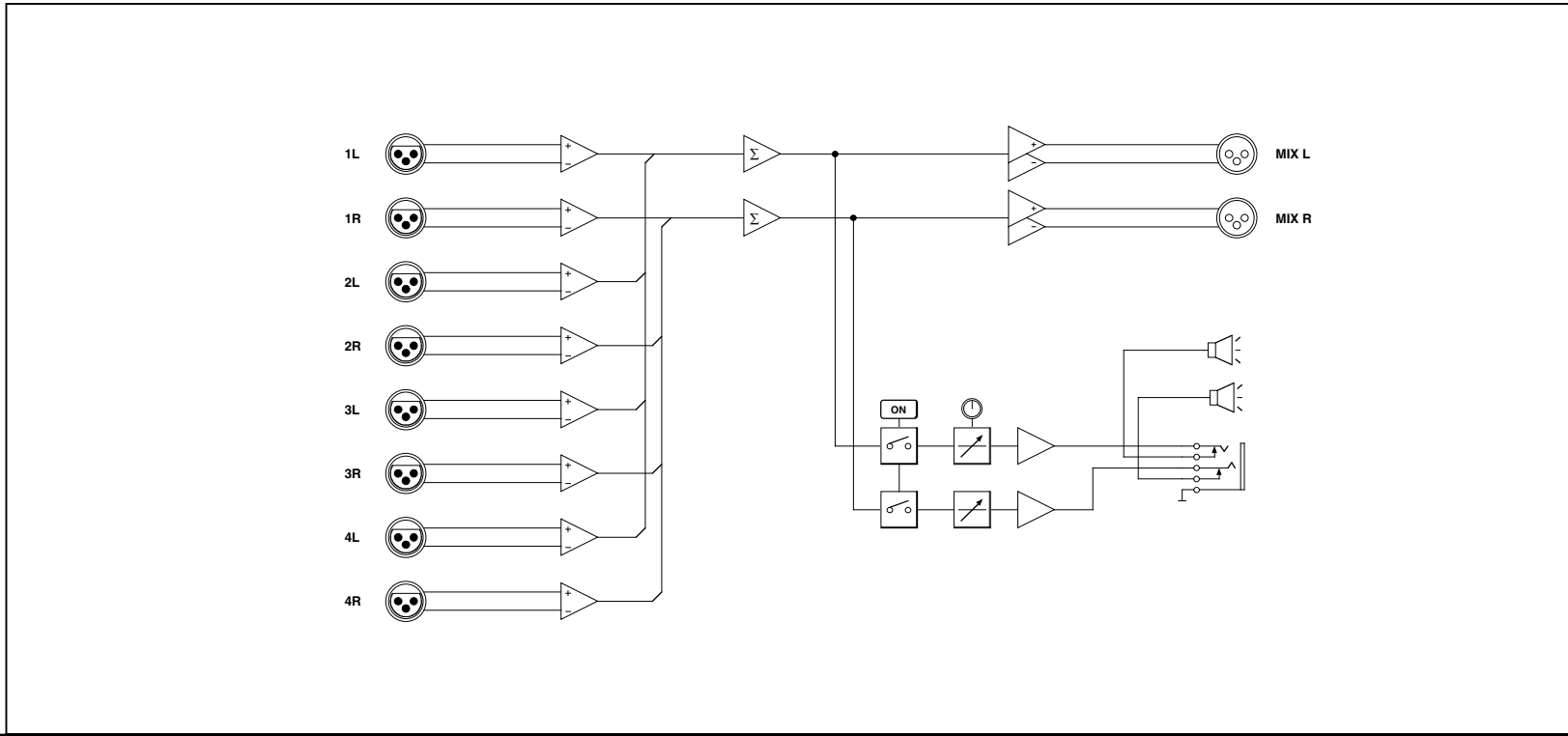
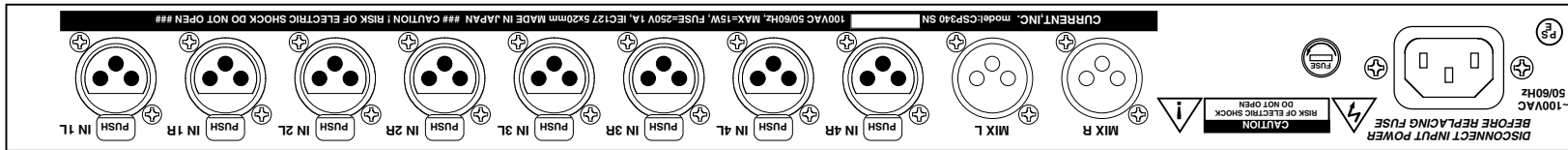
It is provided for front panel stereo speaker for mix monitors, and monitor with headphone is possible and is extremely convenient in cases to monitor DAW. Additionally, speaker is cut when it places headphone.

SPECIFICATIONS

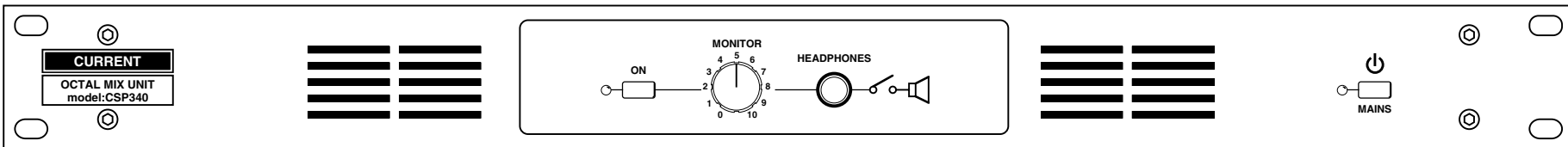
- 🍏 INPUTS CHANNEL: 1-8
- 🍏 INPUTS IMPEDANCE: 24kΩ BALANCED
- 🍏 INPUTS REFERENCE LEVEL: REF=+4dBu, MAX=+24dBu
- 🍏 INPUTS CONNECTOR: XLR3-F
- 🍏 OUTPUTS CHANNEL: ODD & EVEN
- 🍏 OUTPUTS REFERENCE LEVEL: REF=+4dBu, MAX=+24dBu
- 🍏 OUTPUTS CONNECTORS: XLR3-M
- 🍏 MIX GAIN: 0dB
- 🍏 FREQUENCY RESPONSE: 20~20kHz ±0.1dB
- 🍏 THD: < 0.01% at 1kHz, REFERENCE LEVEL
- 🍏 NOISE LEVEL: < -90dBu
- 🍏 HEADPHONES: 1/4" STEREO, x1 >50Ω, MAX=500mW
- 🍏 MAINS: 100VAC 50/60Hz, MAX 20W, FUSE=1A 250V(5x20mm)
- 🍏 DIMENSIONS: 482Wx444Hx303D, 4.5kg

Octal mix	CSP340	¥298,000
-----------	--------	----------

accessory : AC cable



302.6



482.0

44.0

(c)CURRENT,INC.	OCTAL MIX UNIT CSP340	OCT. 96
H.ICHIHASHI	PANEL DIAGRAM	CSP340-D

Feb.2008