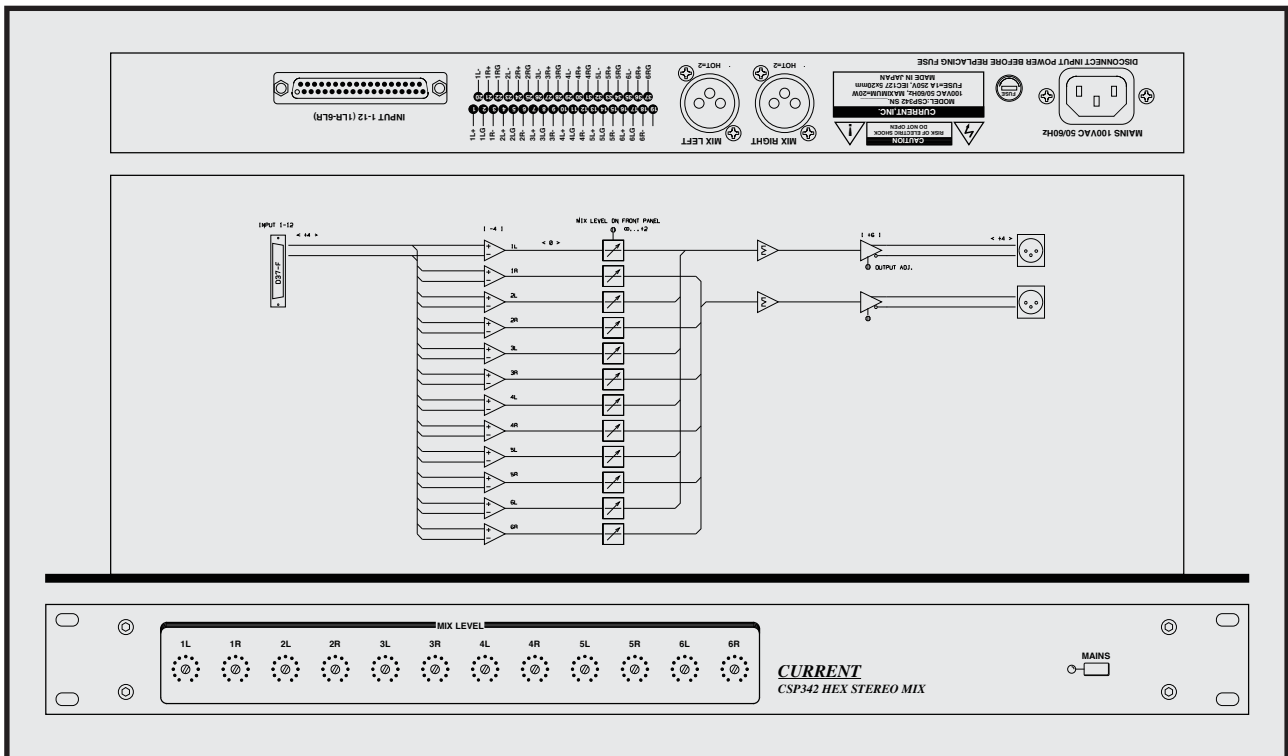


CURRENT PRODUCTS model:CSP342

HEX STEREO MIX



- 6 stereo mixers
- Preset trim way
- Low noise, high-quality sound
- 19 inches 1U size

It is 6 input stereo mixers, and CSP342 pre-sets the mix level in a trim of the front panel and is available. The level setting in the range to 0dB to infinite prevents that a level changes carelessly by making it by an adjustment driver.

"Input and output"

All the input and output is balance specifications. It inputs stereo 6ch into an input connector with one Dsub37 connector. Additionally, flexibility used reliable XLR type in the output highly.

"Level setting"

There is an Adjustable to +4dBu to infinite by the output in the state that input +4dBu into input. The trim is set in 0dB in factory.

"Master level setting"

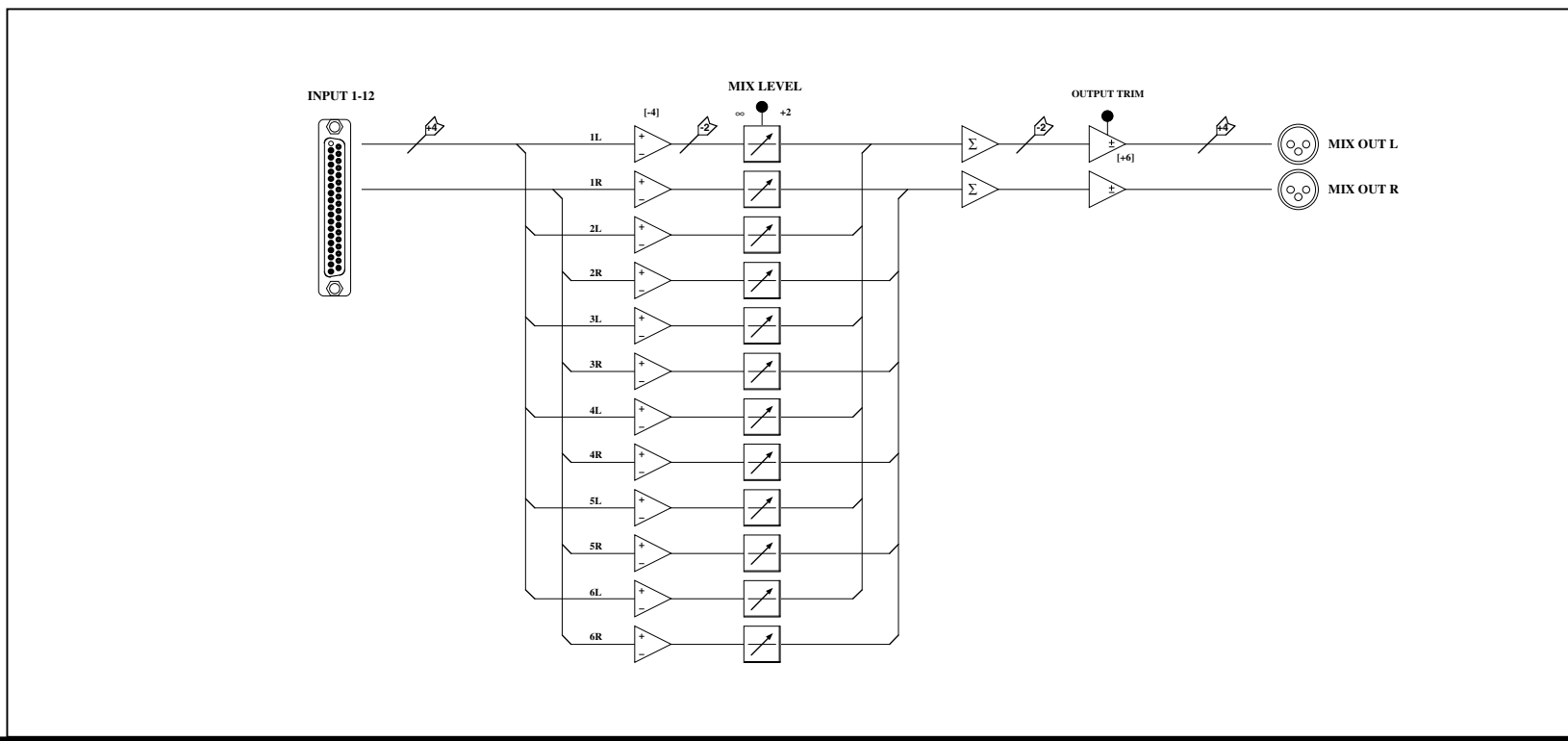
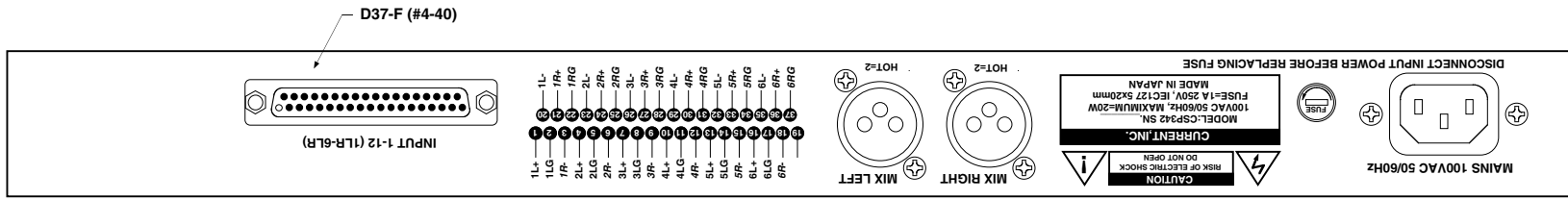
The mix master gain is set to 0 dB with internal trim, but it can also be changed in the range of about +2 dB to -4 dB.



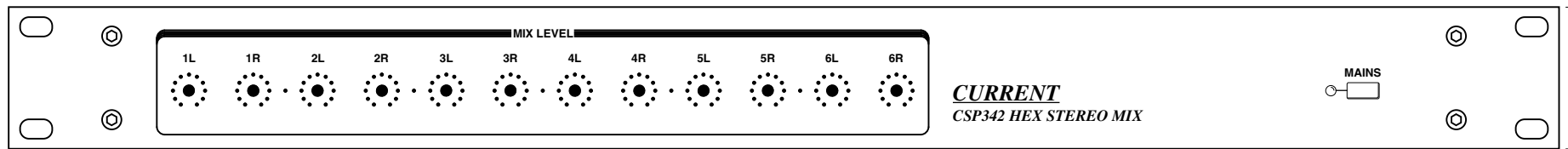
SPECIFICATIONS

- 🍏 **INPUTS:** STEREO x6, BALANCED, 24kΩ
- 🍏 **CONNECTOR:** Dsub37-F (#4-40)
- 🍏 **INPUTS REFERENCE LEVEL:** +4dBu, MAX=+24dBu
- 🍏 **OUTPUTS:** BALANCED, 50Ω
- 🍏 **CONNECTOR:** XLR3-M
- 🍏 **OUTPUTS REFERENCE LEVEL:** +4dBu, MAX=+24dBu
- 🍏 **FREQ.RESPONSE:** 20 to 20kHz ±0.1dB
- 🍏 **THD:** <0.01% at Ref.Level
- 🍏 **EIN:** <-90dB
- 🍏 **MAINS:** 100VAC 50/60Hz MAX 15W
- 🍏 **DIMENSIONS:** 482Wx44Hx303D, 4kg

Hex stereo mix	CSP342	¥380,000
accessory : AC cable		



302.6



44.0

482.0

Oct.2016

(c)CURRENT,INC.	HEX STEREO MIX CSP342	NOV. 96
H.ICHIIHASHI	PANEL DIAGRAM	CSP342-D

"CSP342" AUDIO INPUTS (D37-F #4-40) Signal Pin list

Ribbon	Hard	Signal name	Designation
1	1	1L+	AUDIO INPUT 1 LEFT +
2	20	1L-	AUDIO INPUT 1 LEFT -
3	2	1LG	AUDIO INPUT 1 LEFT GND
4	21	1R+	AUDIO INPUT 1 RIGHT +
5	3	1R-	AUDIO INPUT 1 RIGHT -
6	22	1RG	AUDIO INPUT 1 RIGHT GND
7	4	2L+	AUDIO INPUT 2 LEFT +
8	23	2L-	AUDIO INPUT 2 LEFT -
9	5	2LG	AUDIO INPUT 2 LEFT GND
10	24	2R+	AUDIO INPUT 2 RIGHT +
11	6	2R-	AUDIO INPUT 2 RIGHT -
12	25	2RG	AUDIO INPUT 2 RIGHT GND
13	7	3L+	AUDIO INPUT 3 LEFT +
14	26	3L-	AUDIO INPUT 3 LEFT -
15	8	3LG	AUDIO INPUT 3 LEFT GND
16	27	3R+	AUDIO INPUT 3 RIGHT +
17	9	3R-	AUDIO INPUT 3 RIGHT -
18	28	3RG	AUDIO INPUT 3 RIGHT GND
19	10	4L+	AUDIO INPUT 4 LEFT +
20	29	4L-	AUDIO INPUT 4 LEFT -
21	11	4LG	AUDIO INPUT 4 LEFT GND
22	30	4R+	AUDIO INPUT 4 RIGHT +
23	12	4R-	AUDIO INPUT 4 RIGHT -
24	31	4RG	AUDIO INPUT 4 RIGHT GND
25	13	5L+	AUDIO INPUT 5 LEFT +
26	32	5L-	AUDIO INPUT 5 LEFT -
27	14	5LG	AUDIO INPUT 5 LEFT GND
28	33	5R+	AUDIO INPUT 5 RIGHT +
29	15	5R-	AUDIO INPUT 5 RIGHT -
30	34	5RG	AUDIO INPUT 5 RIGHT GND
31	16	6L+	AUDIO INPUT 6 LEFT +
32	35	6L-	AUDIO INPUT 6 LEFT -
33	17	6LG	AUDIO INPUT 6 LEFT GND
34	36	6R+	AUDIO INPUT 6 RIGHT +
35	18	6R-	AUDIO INPUT 6 RIGHT -
36	37	6RG	AUDIO INPUT 6 RIGHT GND
37	19		

注意！

Dサブコネクタの接続はHardピン番号で接続して下さい。

CAUTION!

D-Connector for wiring refer to Hard pin number description.