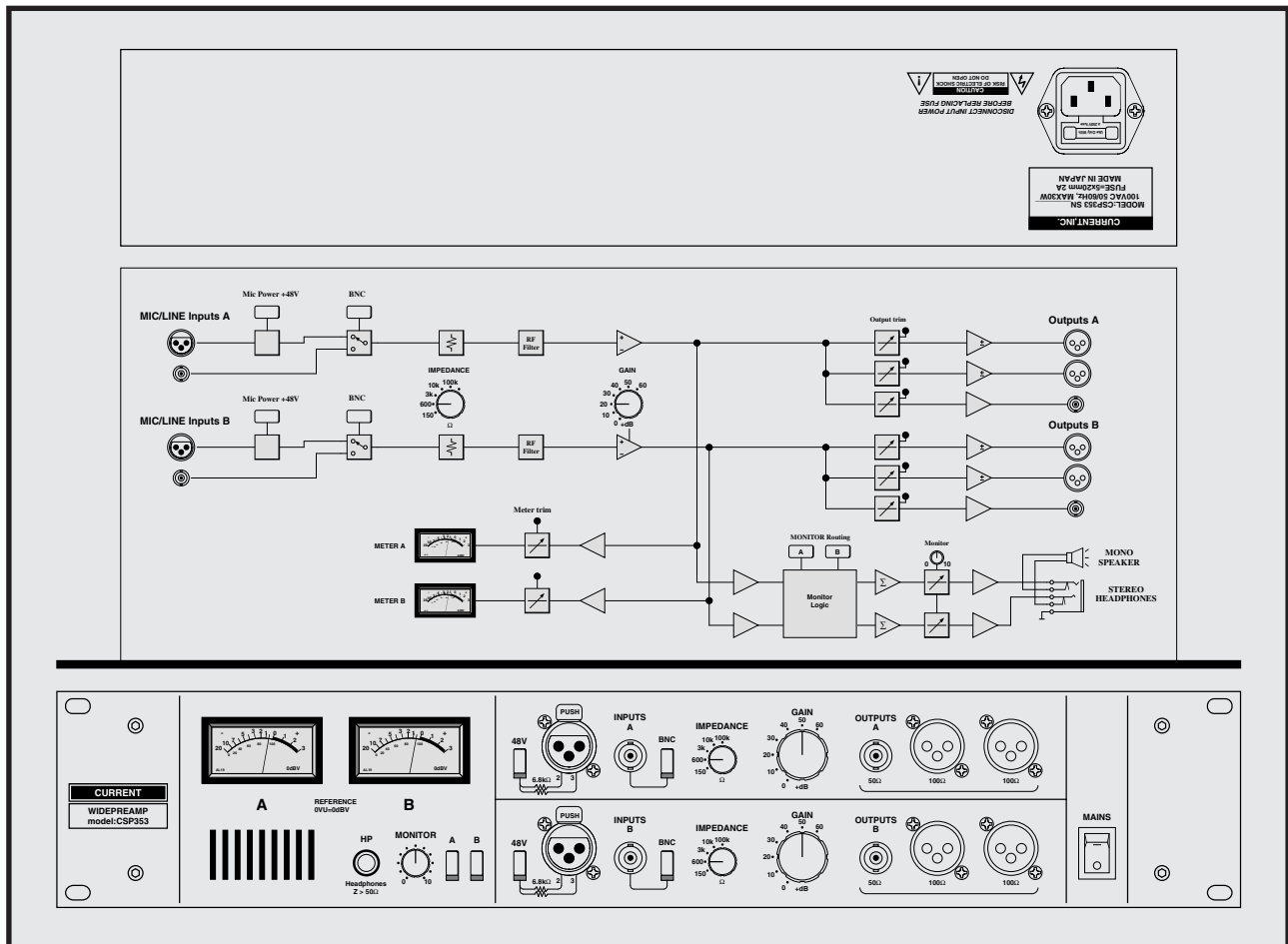


# CURRENT PRODUCTS model:CSP353

## DUAL PREAMP



2ch broadband preamplifier  
 It is super low distortion in broadband  
 XLR, 2 path input and output of BNC  
 Front panel access, VU meter  
 HP, monitor in SP  
 19 inches 2U size

**CSP353 is 2ch microphone preamplifier which is low distortion and low noise in multiple input and output connectors and broadband with VU meter and monitor function. It is most suitable for not only studio recording but also measurement purposes.**

### "I/O"

All input and output of CSP353 is implemented on front panel and can make change of setting easy when they mount it on rack. Additionally, input can choose 2 path of XLR and BNC. Two XLR and one BNC are output for the output at the available same time.

### "Mic input"

It can supply 48V microphone power supply in case of XLR input selection. Additionally, change of 5 stages of input impedance is possible, too.

### "Gain setting"

It can set microphone gain by 10dB step precisely from 0dB to +60dB.

### "Monitor"

It can monitor the output of each channel with VU meter and speaker, headphone. To speaker, signal which mixed B with A is output. When it chooses A or B alone, headphone is output in mono and is output with stereo when it chooses both.

### "VU meter"

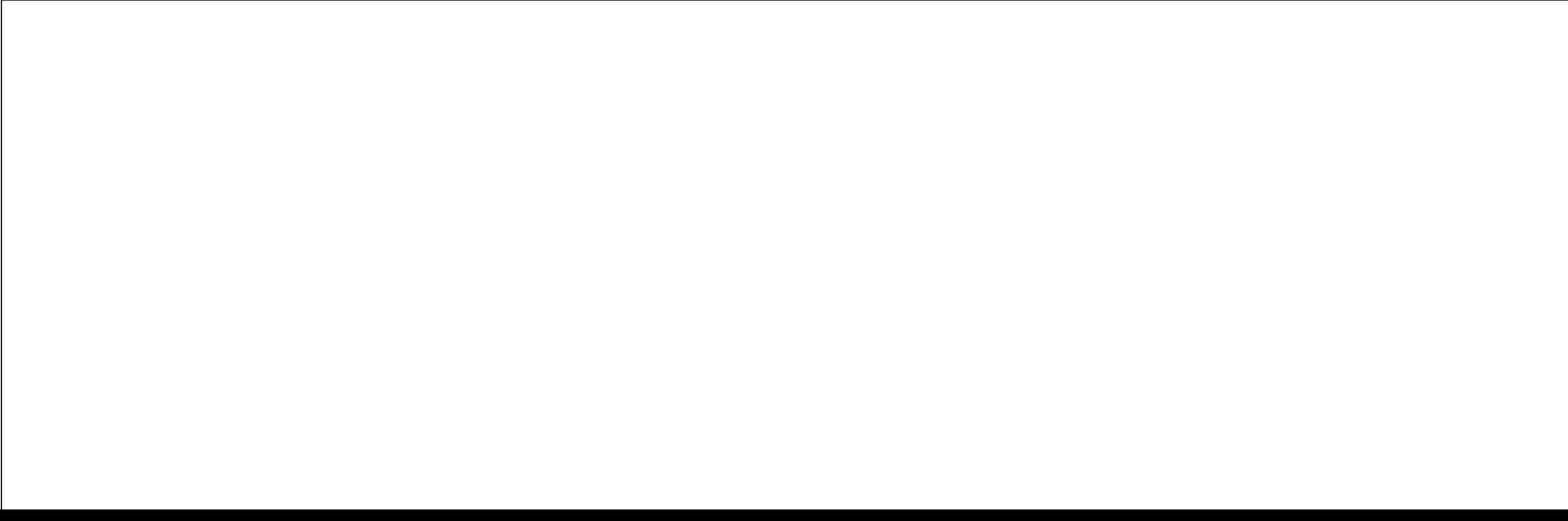
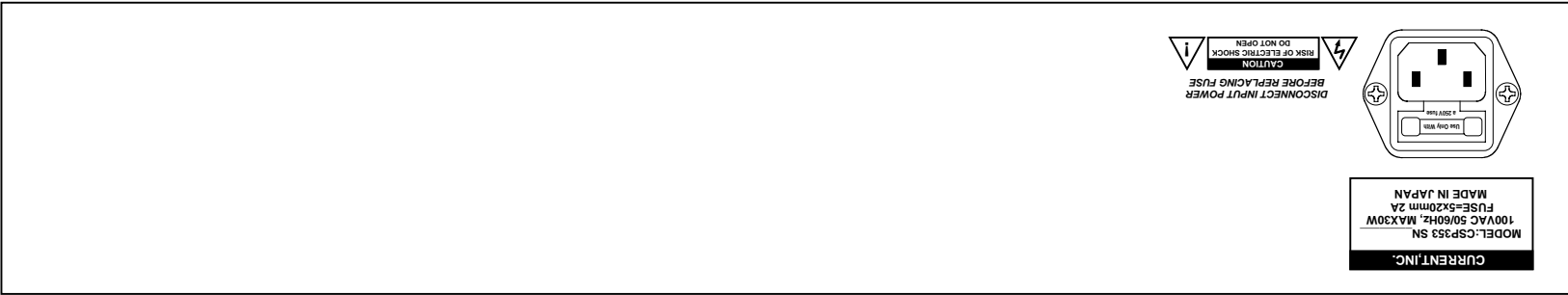
A, B independence indicate the preamplifier output.  
 This is the same as signal which it has monitored with speaker, headphone.



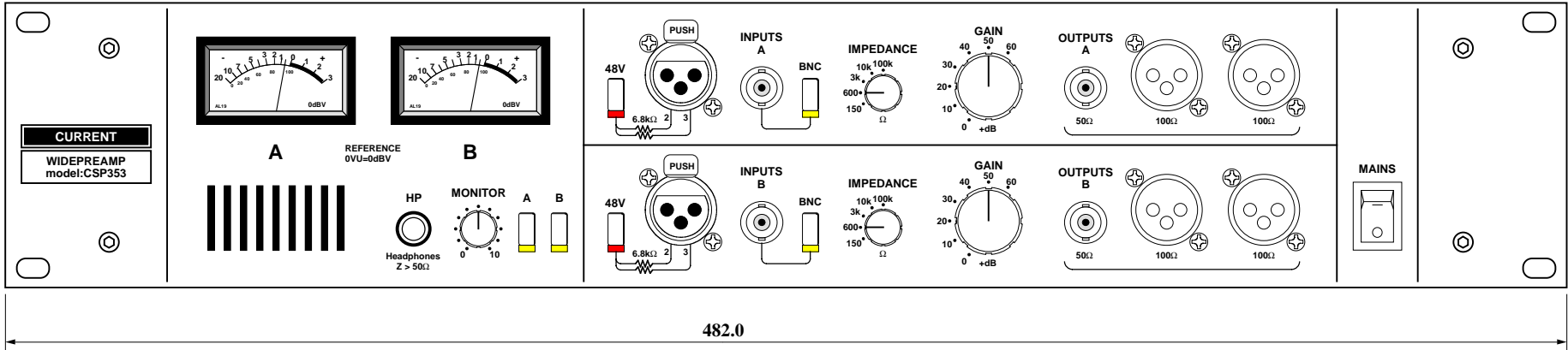
### SPECIFICATIONS

- 🍏 PREAMP CHANNEL : 2
- 🍏 INPUTS CONNECTOR : XLR3-F, BNC
- 🍏 OUTPUTS CONNECTOR : XLR3-M, BNC
- 🍏 INPUT IMPEDANCE : 150, 600, 3k, 10k, 100kΩ
- 🍏 OUTPUT IMPEDANCE : XLR=50Ω, BNC=50Ω
- 🍏 MAX INPUT LEVEL : +18dBu (at 0dB gain)
- 🍏 MAX OUTPUT LEVEL : XLR=+24dBu, BNC=+20dBu
- 🍏 GAIN ERROR : < 0.1dB FREQ. RESPONSE: 10~100kHz ±0.1dB
- 🍏 THD : < 0.002% at 1kHz, REF LEVEL (20-20kHz unweighted)
- 🍏 E.I.N. : < -129dBu at 60dB gain (22-22kHz unweighted)
- 🍏 CONTROL : 48V PHANTOM, MIC GAIN, IMPEDANCE
- 🍏 HEADPHONES: 1/4" STEREO, x1, imp>50Ω, MAX=0.5W
- 🍏 MONITOR SPEAKER: MONO, MAX=0.5W
- 🍏 VU METER: STEREO
- 🍏 MAINS: 100VAC 50/60Hz, MAX 30W
- 🍏 DIMENSIONS: 482Wx88Hx303D 5kg

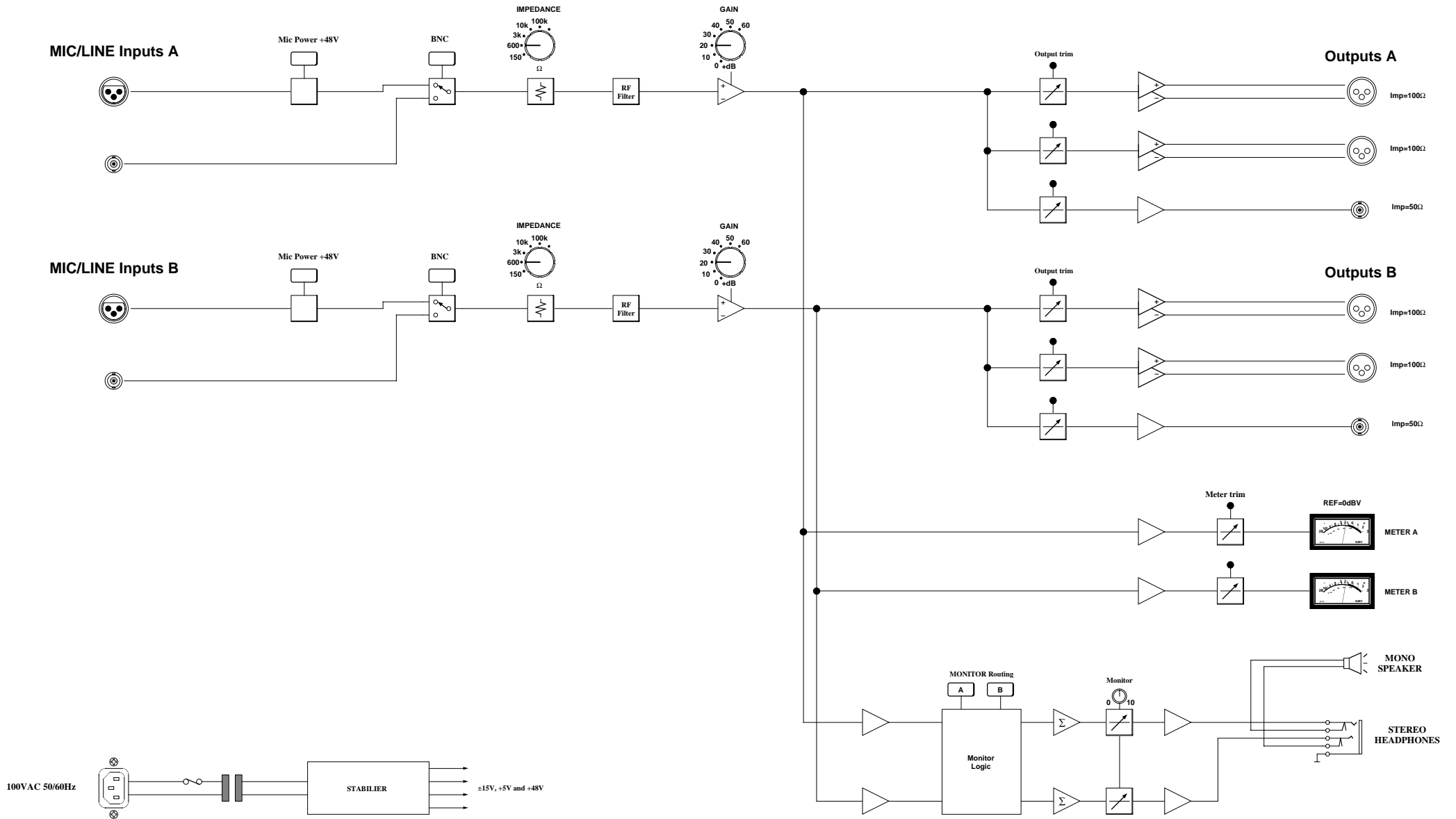
Dual preamp	CSP353	¥960,000
accessory : AC cable		



302.6



(c)CURRENT,INC.	<b>WIDEPREAMP CSP353</b>	Jul.2003
H.ICHIHASHI	<b>PANEL DIAGRAM</b>	CSP353-D



(c)CURRENT,INC.	PREAMP CSP353	Jun.2003
H.ICHIHASHI	SYSTEM DIAGRAM	CSP353-B