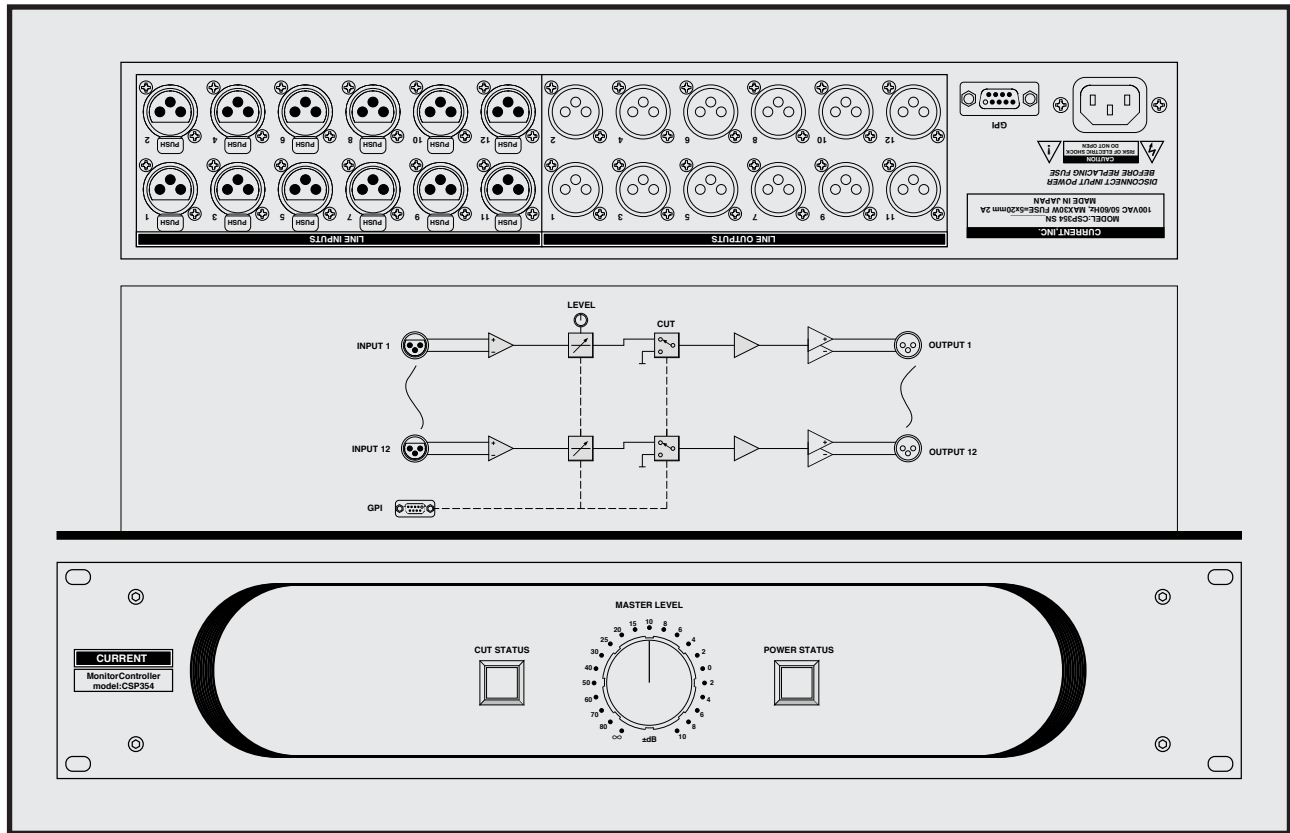


CURRENT PRODUCTS model:CSP354

12ch MONITOR CONTROLLER



12ch monitor controller
 Super low noise, broadband
 Level control without the tracking error
 Remote control support
 19 inches 2U size

CSP354 is a monitor controller of 12ch specifications developed as master controller of the multichannel monitor. By the adoption of the tip for exclusive use of a thing of a digital control method, tracking error disappeared and was able to eliminate a change of unstable sound localization. It also realized accurate 0.5dB step attenuation and high SN, low distortion, wide dynamic range.

"Monitor"

It can set the master level without tracking error from +10dB to infinite repetition in 0.5dB resolving power precisely.

"Cut"

When it is cut remote with a GPI port of the rear panel, CUT STATUS of the front panel turns on. Even a switch of the front panel can validate CUT with an option.

"Remote"

It can use a cut and the remote volume with a GPI port. The remote cut input can connect contact or the voltage. The remote volume can be directly connected to the volume without using a special component. These become the OR working with the main frame, and, as for the remote volume, it is with the working like the case that paired with a console in a VCA group.

GPI DSUB9-F

- | | |
|--------------|--------------|
| 01 GND | 06 +5V |
| 02 EXT CUT + | 07 EXT CUT - |
| 03 EXT CW | 08 EXT WP |
| 04 EXT CCW | 09 |
| 05 | |

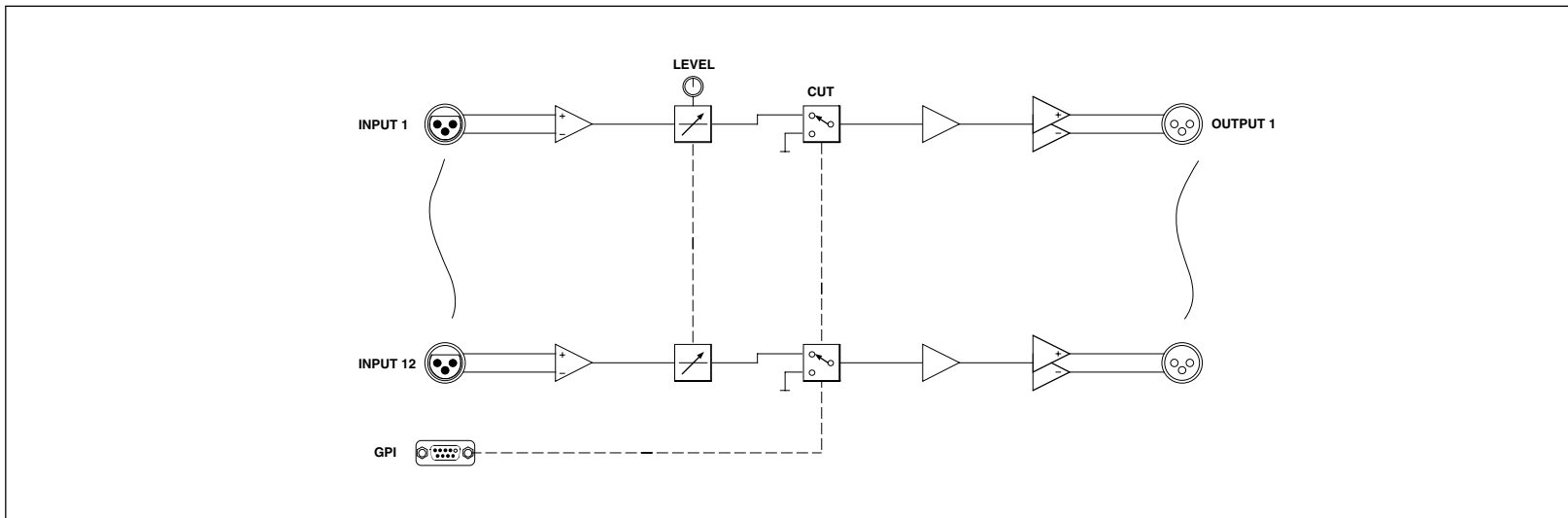
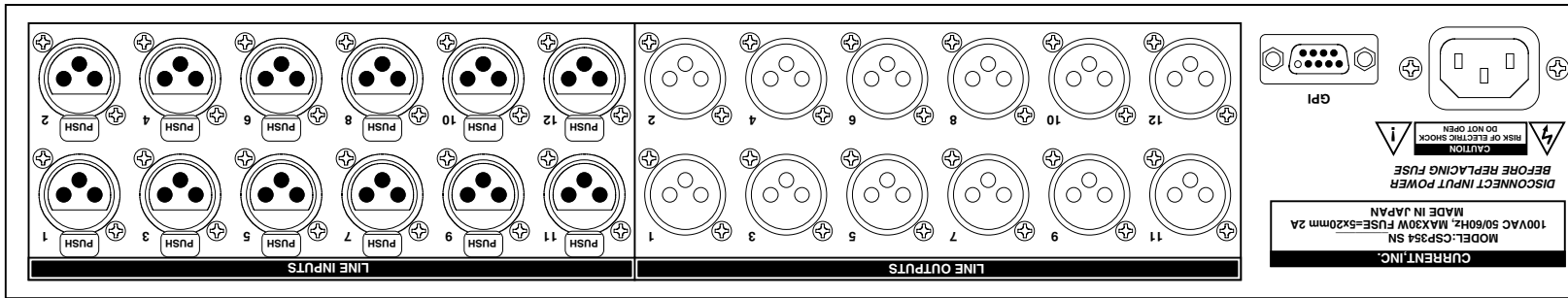


SPECIFICATIONS

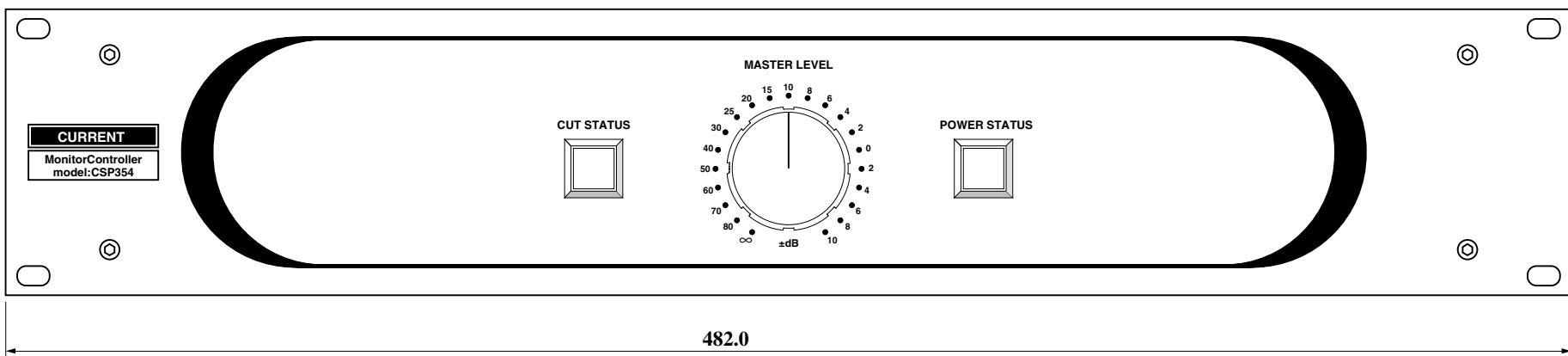
- ▲MONITOR INPUTS : 12, XLR3-F
- ▲ALL INPUTS IMPEDANCE : 24kΩ, REF=+4dBu MAX=+24dBu
- ▲ALL OUTPUTS IMPEDANCE: 50Ω, REF=+4dBu MAX=+24dBu
- ▲MONITOR ATT: 0.5dB STEP +10 ~ -95.5dB ~ ∞
- ▲FREQUENCY RESPONSE: 20~20kHz ±0.1dB
- ▲THD: < 0.01% at 1kHz, REF LEVEL (20~20kHz unweighted)
- ▲NOISE: < -90dBu (20~20kHz unweighted)
- ▲GPI PORT: Dsub9-F(#4-40) 5~24VDC
- ▲MAINS: 100VAC 50/60Hz, MAX 30W
- ▲DIMENSIONS: 482Wx88Hx302D, 5kg

12ch Monitor	CSP354	¥720,000
accessory : AC cable		

The specifications are subject to change without notice.
 2-26-11 AKATSUTSUMI, SETAGAYA-KU, TOKYO, 156-0044 JAPAN



302.6



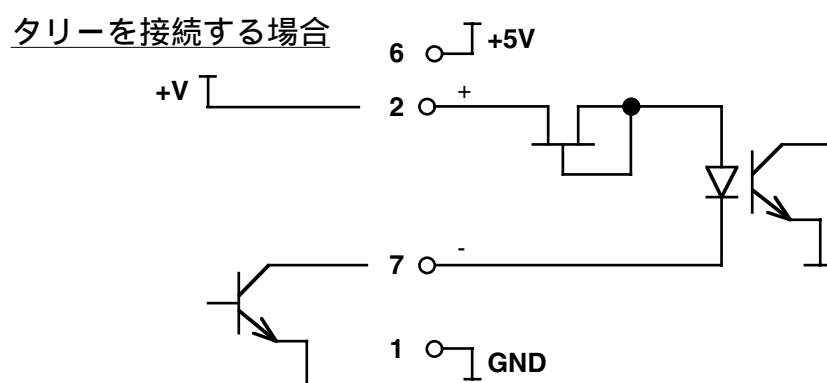
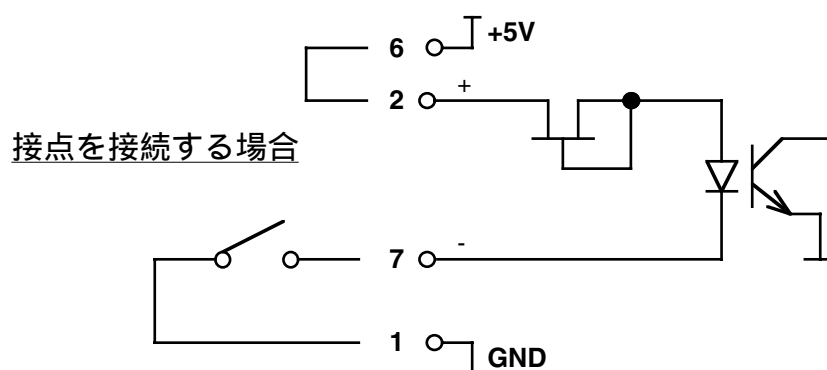
(c)CURRENT,INC.	MONITOR CONTROLLER CSP354	Oct.2004
H.ICHIHASHI	PANEL DIAGRAM	CSP354-D

CSP354 "GPI" D9-F (#4-40) Connector Pin List

Ribbon	Hard	Signal name	Designation	Active
1	1	GND	GND	
2	6	+5V	+5V SUPPLY MAX=50mA	
3	2	EXT CUT +	EXTERNAL CUT COMMAND +	
4	7	EXT CUT -	EXTERNAL CUT COMMAND -	
5	3	EXT CW	EXTERNAL VOLUME CW	
6	8	EXT WP	EXTERNAL VOLUME WP	
7	4	EXT CCW	EXTERNAL VOLUME CCW	
8	9			
9	5			

入力回路回路

+ 5 V から + 2 4 V まで入力できます。



注意!

D サブコネクタの接続はHardピン番号で接続してください。

取付ビスは # 4 - 4 0 ｲﾝﾁﾞｽ を使用して下さい。

CAUTION! D-Connector for wiring refer to Hard pin number Description.

Mounting screw for D-connector use #4-40 screw.