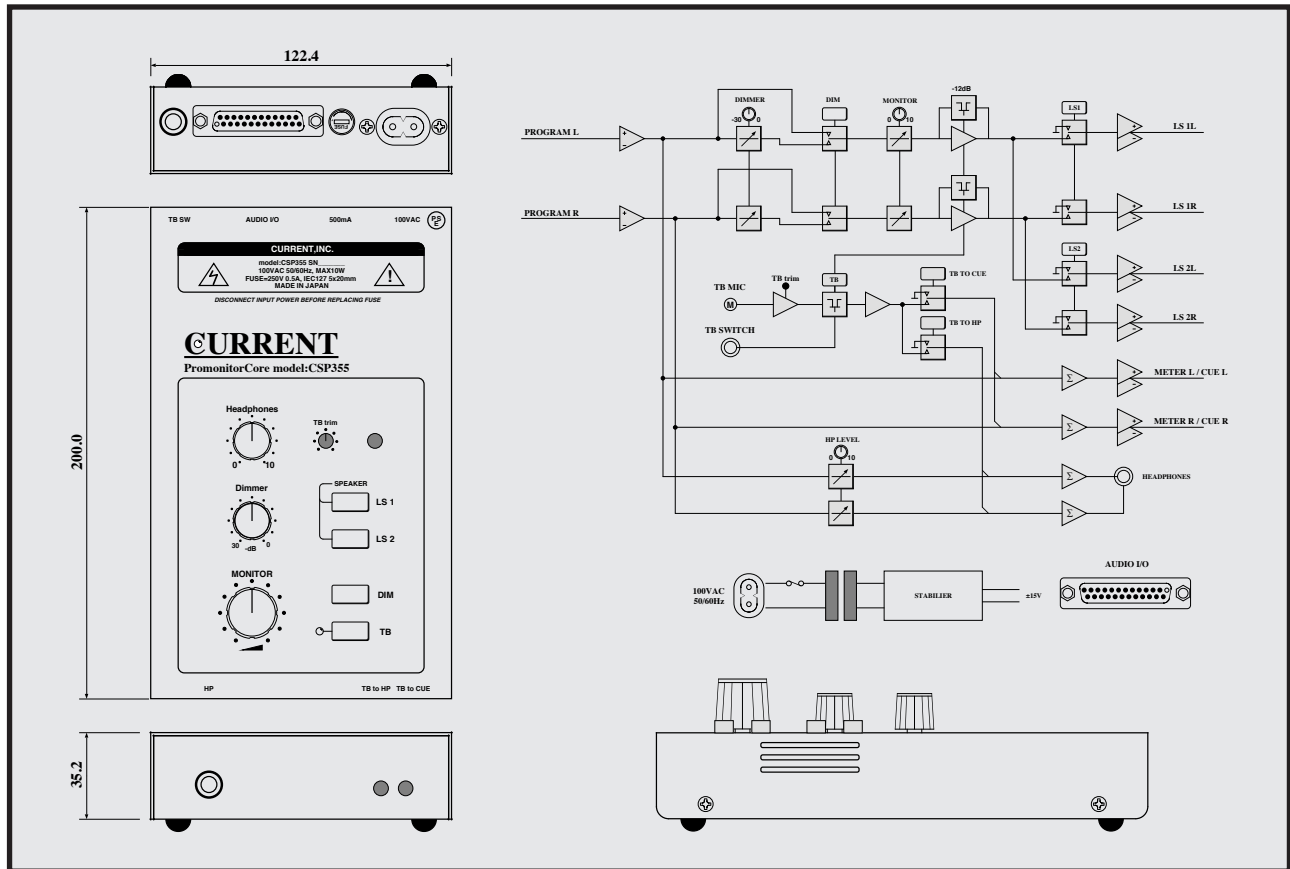


CURRENT PRODUCTS model:CSP355

PromonitorCore



Stereo monitoring system
 2 speaker systems
 Talkback
 CUE outputs
 Variable DIM
 Headphone monitor
 Super high-quality sound
 Compact
 Best of minimum

CSP355 is a compact, high-quality monitoring system pinpoints on the core functions of the monitor and talkback. It has the source input of 1 system, the speaker of 2 systems and the CUE output on the slim body designed in the image of it puts it beside a keyboard, and using it and is most suitable for a small scale studio, non-linear edit system environment because the monitor with the headphone is possible.

"Monitor source"

CSP355 input source is a single system, if you want to switch between multiple channels, using a stereo switcher CSP382A 5 it is best.

"Speaker"

Can be used simultaneously Two speaker output, engineers and clients can be monitored in the best position of each.

"CUE"

It is the output for CUE boxes.

In addition, it can also be used as an output for recording or VU meter can be set to OFF talkback 'TB to CUE' button.



"Talkback"

It can send the talkback to the headphone output send CUE, 'TB to HP' in 'TB to CUE'.

It can adjust the TB level by 'TB trim'.

In addition, it can use the foot switch together, too.

"Headphone"

It can also be used as a simple CUE box so you can send the talkback 'TB to HP'.

"Others"

Please consider with it, VU meter monitoring system CSP102A CSP349 of the top models, CUE box SC6014.

SPECIFICATIONS

- 🍏 I/O CONNECTOR: D25-F(#4-40)
- 🍏 AUDIO INPUTS: BALANCED, 22kΩ, Ref=+4dBu, MAX=+24dBu
- 🍏 AUDIO OUTPUTS: BALANCED, 50Ω, Ref=+4dBu, MAX=+24dBu
- 🍏 FREQ. RESPONSE: 20 to 20kHz ±0.1dB
- 🍏 THD: <0.01% at 1kHz Ref.Level
- 🍏 EIN: <-90dB 🍏 MAINS: 100VAC 50/60Hz MAX 10W
- 🍏 DIMENSIONS: 122.4Wx35.2Hx200D, 1.2kg

Promonitor core	CSP355	¥198,000
CUE Box	SC6014	¥198,000
CUE PSU (max 2 unit)	PS6014P	¥80,000
CUE para cable	CC6014PP	¥7,200
CUE cable 5m	CC6014	¥25,000
VU Meter Unit	CSP102A	¥158,000
Input switcher	CSP382A	¥248,000

accessory : I/O cable 1.5m, AC cable

The specifications are subject to change without notice.
 2-26-11 AKATSUTSUMI, SETAGAYA-KU, TOKYO, 156-0044 JAPAN

CSP355 PromonitorCore System

DAW (ProTools/FinalCut etc.)



Monitor L/R

SC6014 CUE SYSTEM



CUE 1-4

CUE L/R

CSP102A VU METER



RECORD

Recorder



Headphones



CSP192 Powered10M



Engineer SP

CSP192 Powered10M



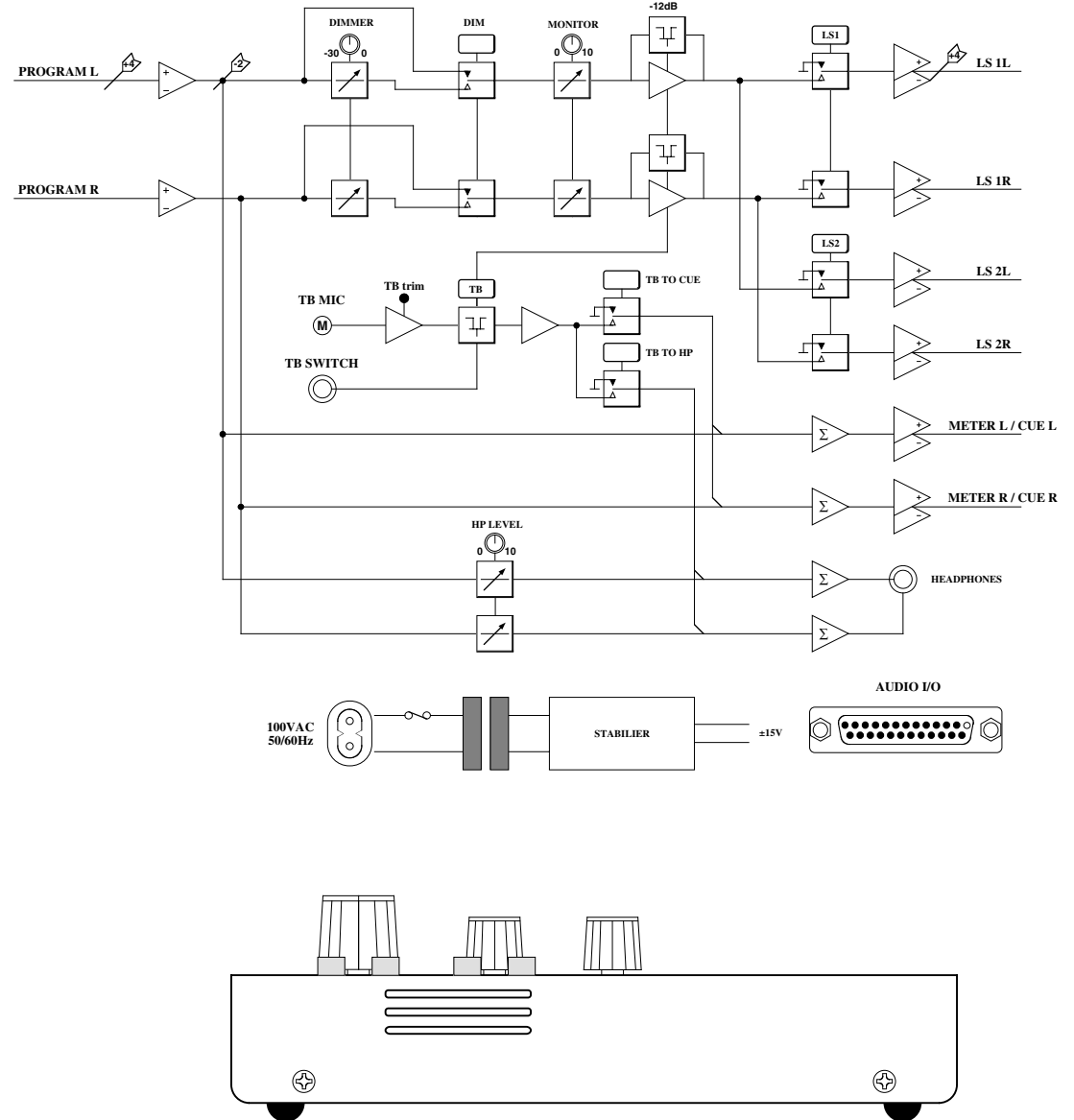
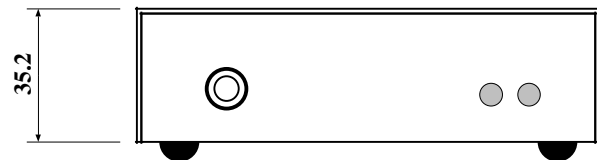
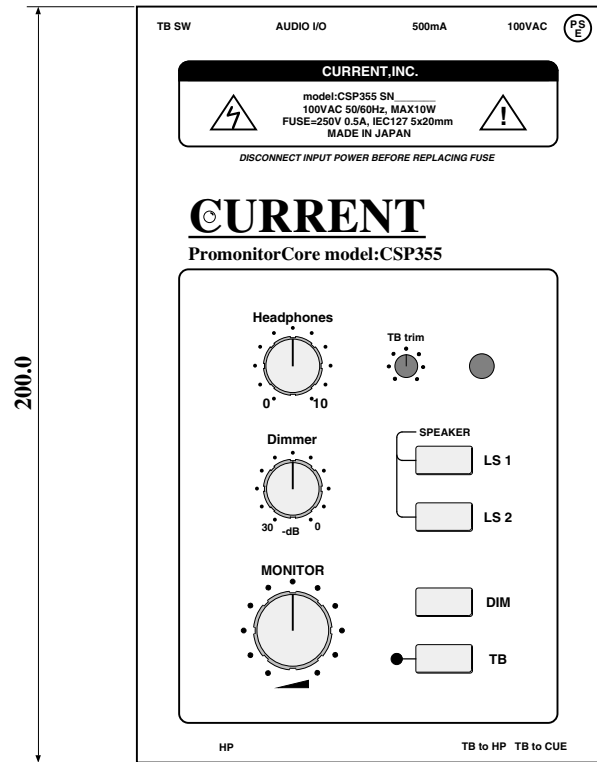
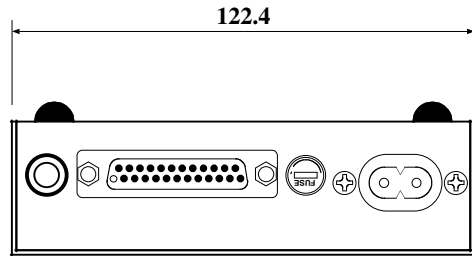
Client SP

FootSwitch



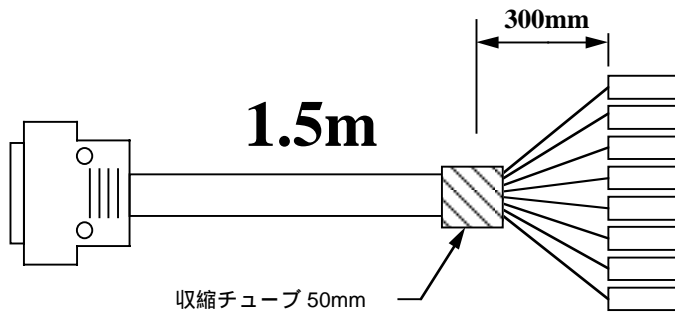
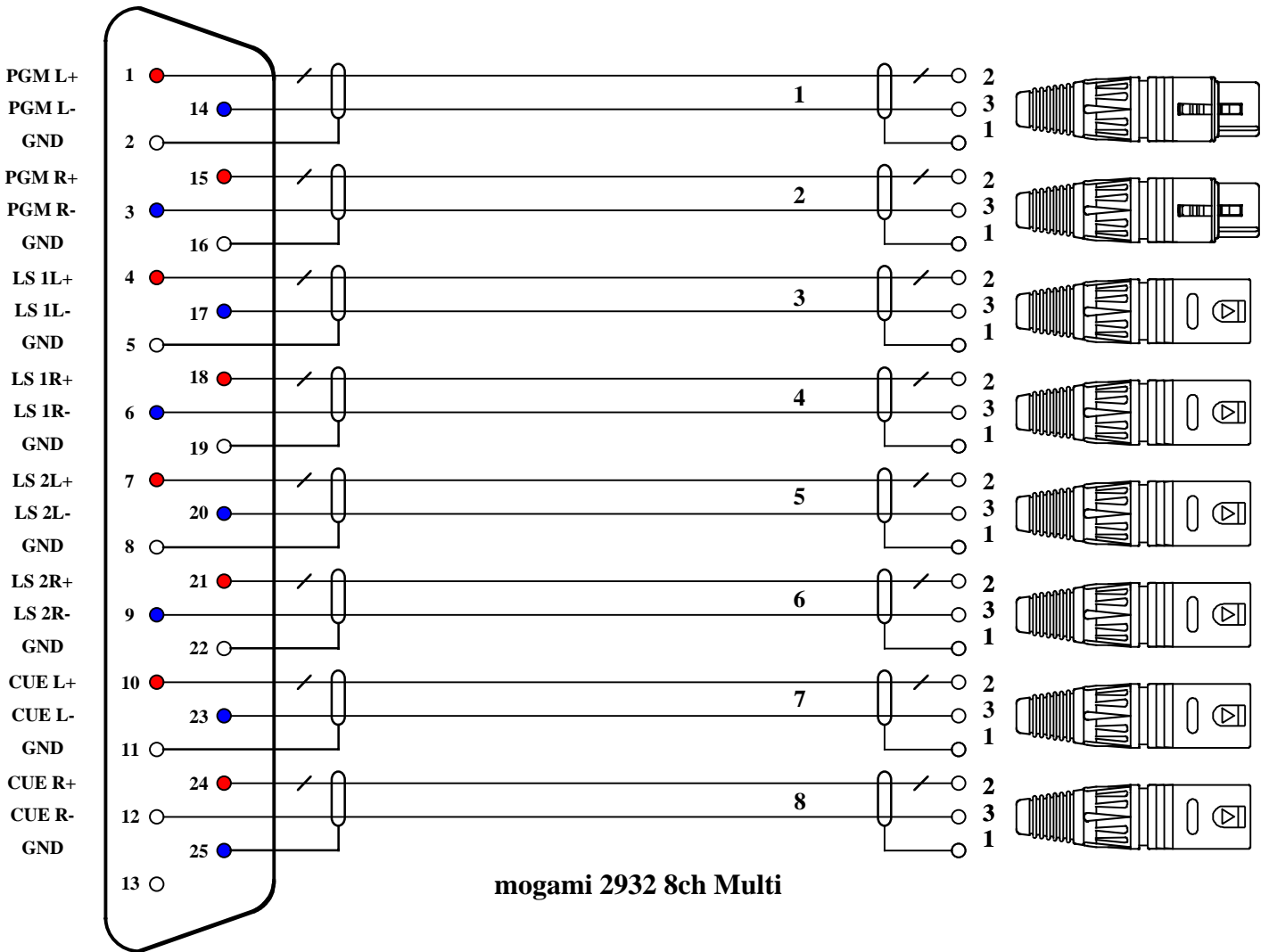
TB

- AUDIO I/O D25-F(#4-40)
- 01 PGM IN L + 14 PGM IN L -
 - 02 PGM IN L 0 15 PGM IN R +
 - 03 PGM IN R - 16 PGM IN R 0
 - 04 LS 1L + 17 LS 1L -
 - 05 LS 1L 0 18 LS 1R +
 - 06 LS 1R - 19 LS 1R 0
 - 07 LS 2L + 20 LS 2L -
 - 08 LS 2L 0 21 LS 2R +
 - 09 LS 2R - 22 LS 2R 0
 - 10 CUE SEND L + 23 CUE SEND L -
 - 11 CUE SEND L 0 24 CUE SEND R +
 - 12 CUE SEND R + 25 CUE SEND R 0
- 13



©CURRENT, INC.	CSP355 PromonitorCore	Sep.2008
H. ICHIHASHI	PANEL DIAGRAM	CSP355-D

D25-M (#4-40)



(c)CURRENT,INC.	CSP355	Oct.2008
H.ICHIHASHI	AUDIO INPUT/OUTPUT CABLE	CSP355 I/O cable