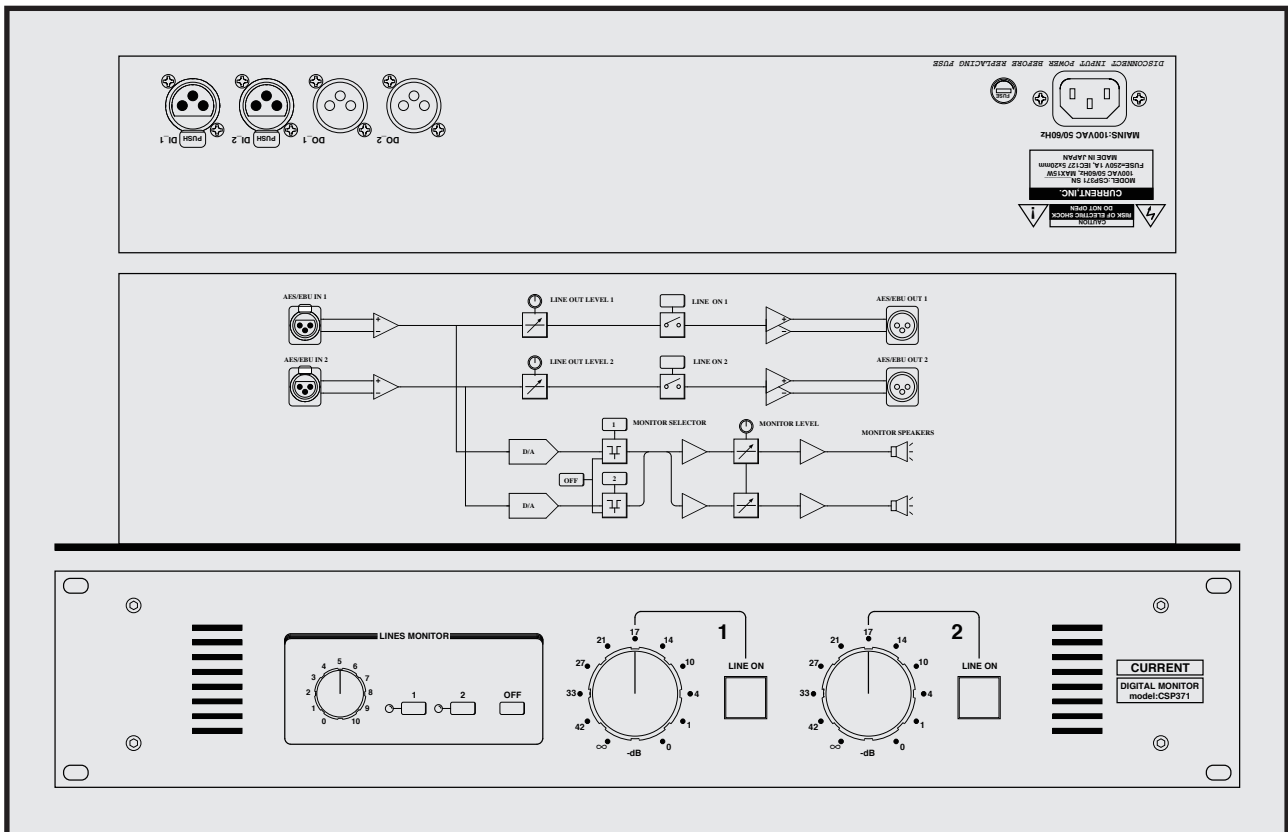


CURRENT PRODUCTS model:CSP371

DIGITAL MONITOR



- 2 path digital audio level control
- Line ON/OFF
- Line out volume control
- Stereo monitor speaker
- 19 inches 2U size

CSP371 is the digital monitor unit that a dual digital audio line out level, ON/OFF, the monitor with the speaker are possible. It is most suitable as the digital line out key to CD, MD.

"Line out"

The dual is independent and is continuous variable possibility at a line out level in the range of 0dB to infinite. Additionally, it can turn on the output with LINE ON button.

"Monitor"

It switches either 2 path and can monitor it with a speaker. The monitor source is led by an input section and can monitor even a state of the LINE off. In addition, it does not control the emphasis with the DA converter for monitors.

"FS, emphasis"

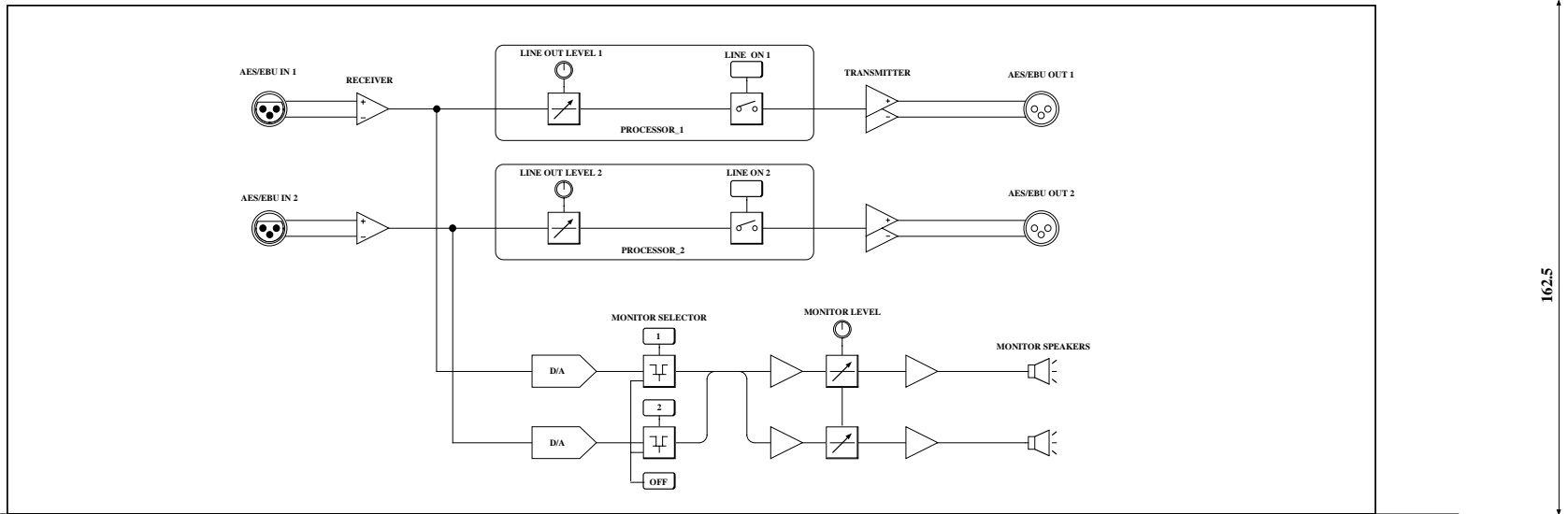
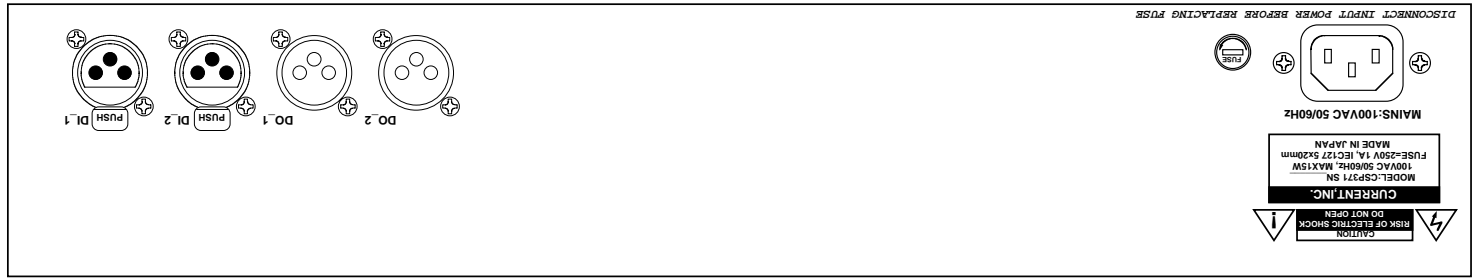
It supports to sampling frequency of 44.1kHz and 48kHz. It handles only a level and outputs it in through without handling it about a channel status, validity, users bit and the emphasis.



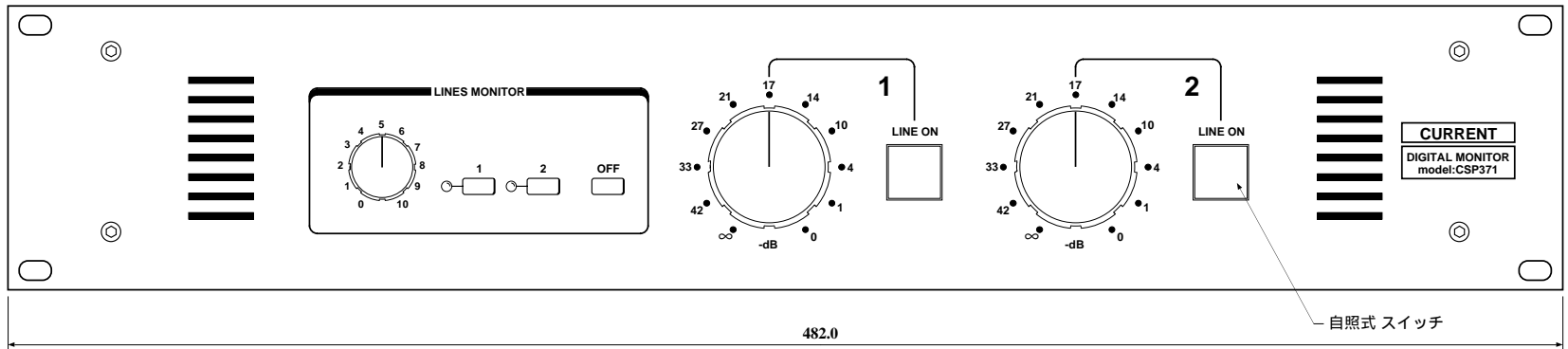
SPECIFICATIONS

- 🍏 **AES/EBU INPUT:** BALANCED 110Ω XLR3-F
- 🍏 **AES/EBU OUTPUT:** BALANCED 110Ω XLR3-M
- 🍏 **RESOLUTION:** 16bit
- 🍏 **SAMPLING RATE:** 44.1kHz & 48kHz
- 🍏 **EMPHASIS:** NO PROCESSED
- 🍏 **CONTROL:** LINE LEVEL, CUT, MONITOR LEVEL
- 🍏 **LEVEL CONTROL:** 0~-60dB,∞
- 🍏 **MONITOR SPEAKERS:** STEREO MAX 500mW
- 🍏 **MAINS:** 100VAC 50/60Hz MAX=15W
- 🍏 **DIMENSIONS:** 482Wx88Hx303D 5kg

Digital monitor	CSP371	¥480,000
accessory : AC cable		



162.5



(c)CURRENT,INC.	DIGITAL MONITOR CSP371	JUN.98
H.ICHIHASHI	PANEL DIAGRAM	CSP371-D