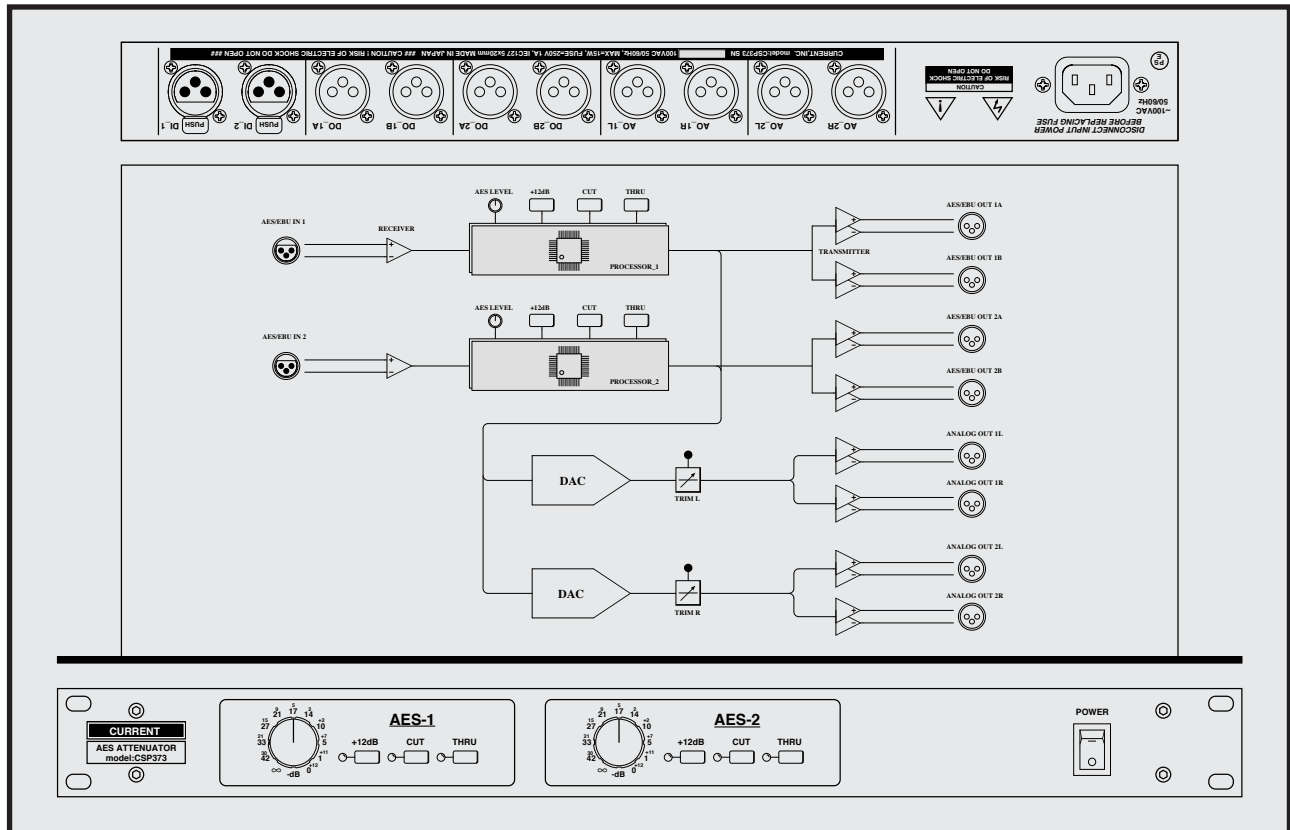


CURRENT PRODUCTS model:CSP373

DUAL AES ATTENUATOR with D/A



Dual AES level controller
 DAC built-in
 +12dB function
 Mute function
 Through mode
 24bit 96kHz
 AES distribution output
 19 inches 1U size

CSP373 is the digital audio attenuator that dual independent control of an AES/EBU format developed for studio and editing room use is possible. It has 2 distributors built-in for the AES output and implements D/A converter of high quality to analog output use. +12dB can shift a level by +12dB function and can revise it when an input level is low.

"Digital input/output"

The dual AES input distributes each 2 and is output. It is not necessary to prepare a distributor extra for the application in the other route.

"Analog output"

It has the Digital to Analog converter of the up highest grade built-in to 192kHz in CSP373 and is available as an analog monitor controller.

"FS, emphasis"

In CSP373, the sampling frequency supports from 32kHz to 96kHz. It handles only a level and outputs it in through without handling it about a channel status, validity, users bit and the emphasis.

"+12dB"

12dB ups at a level when it presses the +12dB button of CSP373. Maximum attenuation just before the full ccw in the normal is 60dB, but in this case the attenuation is 48dB. In addition, the +12dB function has priority over

THRU switch.

"Mute"

It zeroes digital data with CUT button and makes the output mute.

"Through"

It bypasses the level control when it presses the THRU button and just outputs an input level. +12dB button and the CUT button have priority over this function.

"Others"

It can switch to a left and right independent control type with an option. In this case, the AES/EBU becomes single, and the same signal is output in 2 output.

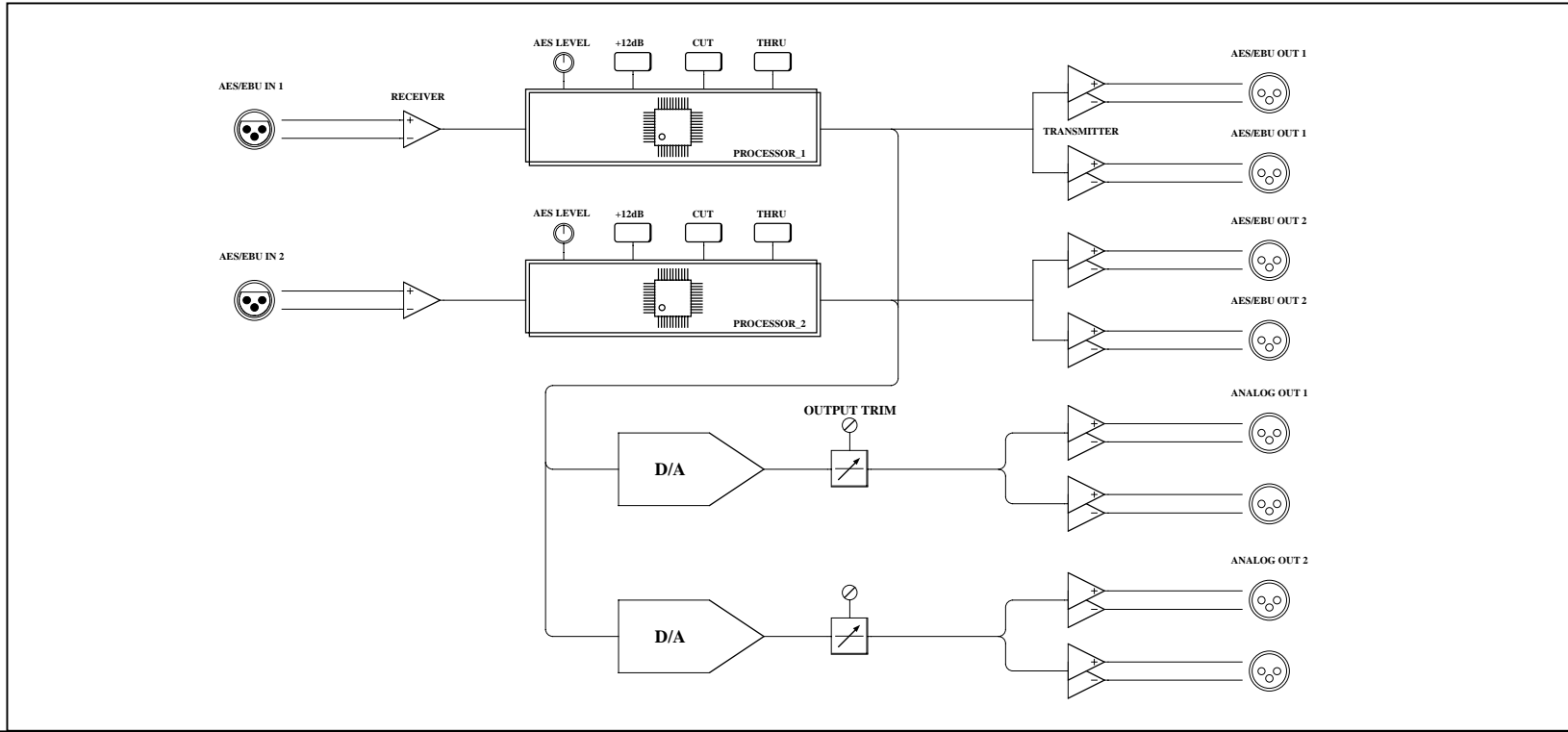
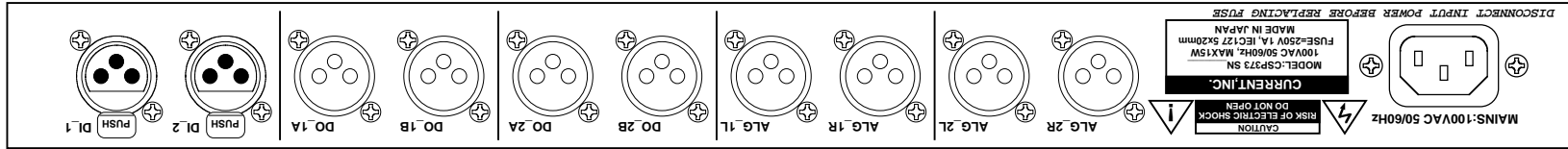


SPECIFICATIONS

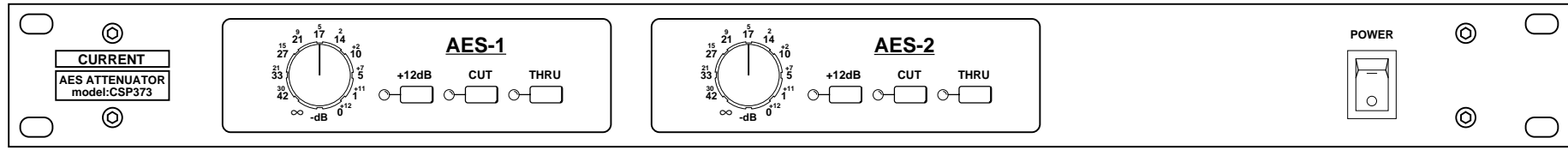
- 🍏 CHANNEL: 2 🍏 RESOLUTION: 24bit 🍏 Fs: 32kHz to 96kHz
- 🍏 AES/EBU INPUT: BALANCED 110Ω XLR3-F
- 🍏 EMPHASIS: NO PROCESSED 🍏 VUCP bits: NO PROCESSED
- 🍏 AES/EBU OUTPUT: BALANCED 110Ω XLR3-M
- 🍏 CONTROL: +12dB, CUT, THRU
- 🍏 LEVEL CONTROL: 0 ~ ∞ 10bit resolution
- 🍏 FREQUENCY RESPONSE: 20Hz-20kHz ±0.1dB
- 🍏 THD: < 0.01% at 1kHz REFERENCE LEVEL 🍏 NOISE: < -85dB
- 🍏 MAINS: 100VAC 50/60Hz MAX=15W
- 🍏 DIMENSIONS: 482Wx44Hx303D 4kg

AES att with DA	CSP373	¥640,000
accessory : AC cable		

The specifications are subject to change without notice.
 2-26-11 AKATSUTSUMI, SETAGAYA-KU, TOKYO, 156-0044 JAPAN



302.6



44.0

482.0

(c)CURRENT,INC.	AES ATTENUATOR CSP373	JUL. 2001
H.ICHIHASHI	PANEL DIAGRAM	CSP373-D