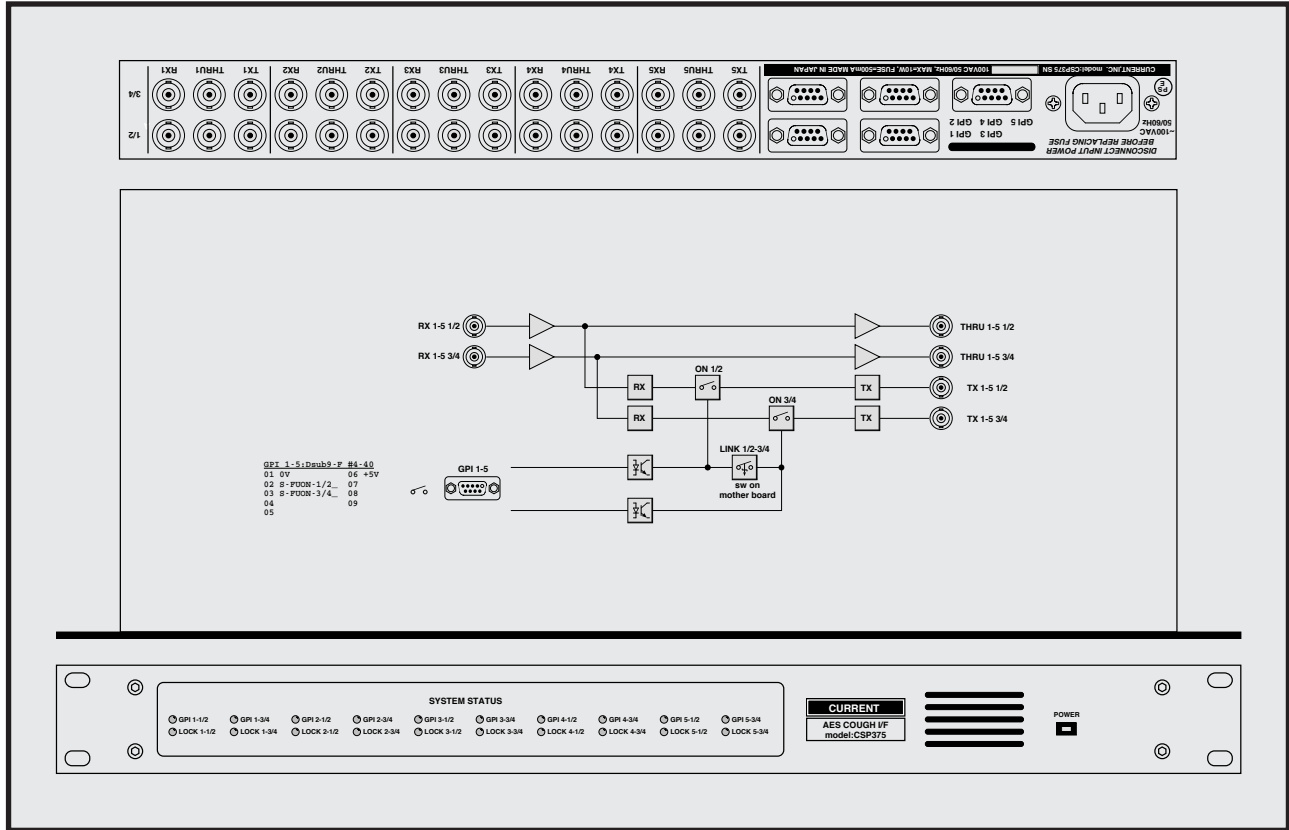


CURRENT PRODUCTS model:CSP375

AES COUGH I/F



24bit, 96kHz
 AES cough interface
 Up to 10ch
 Soft mute
 19 inches 1U size

CSP375 is 10ch AES cough interface. It can build up to 10 digital cough systems. In addition, it is applicable in the use that is multifunctional for mute control use of the AES line as well as a cough system.

"Input-output"

It can implement up to 5 sets of groups of AES1/2 and AES3/4. In the through output, a buffered input signal is just output. In the output, a signal controlled in cough is output.

"Cough control"

While cough contact connected to a GPI port is active, audio data are output and output data as zero in the state of OFF. 1/2 and the 3/4 of each input-output group are enabled in simultaneous control by changing an internal switch. In addition, it can confirm the state of cough ON by lighting of the LED of the front panel.

"Sync"

CSP375 works in sync with an AES input signal to up to 96kHz. When an input signal breaks off, it is replaced by an internal crystal for 48kFs. It can confirm the lock status of the system with LED of the front panel.

"Channel status ..."

Channel status and the users bit except input audio data just output it without making internal processing.

"Input format"

The system to process only audio data allows use with both the professional format and the consumer format.

"Others"

For a cough unit to put together, compact AF109 is most suitable. In addition, it can implement it by 2ch unit as needed because it is modular construction.

GPI 1-5 : Dsub9 - F #4-40

| | | | |
|----|-------------|----|-----|
| 01 | 0V | 06 | +5V |
| 02 | S-FUON-1/2_ | 07 | |
| 03 | S-FUON-3/4_ | 08 | |
| 04 | | 09 | |
| 05 | | | |

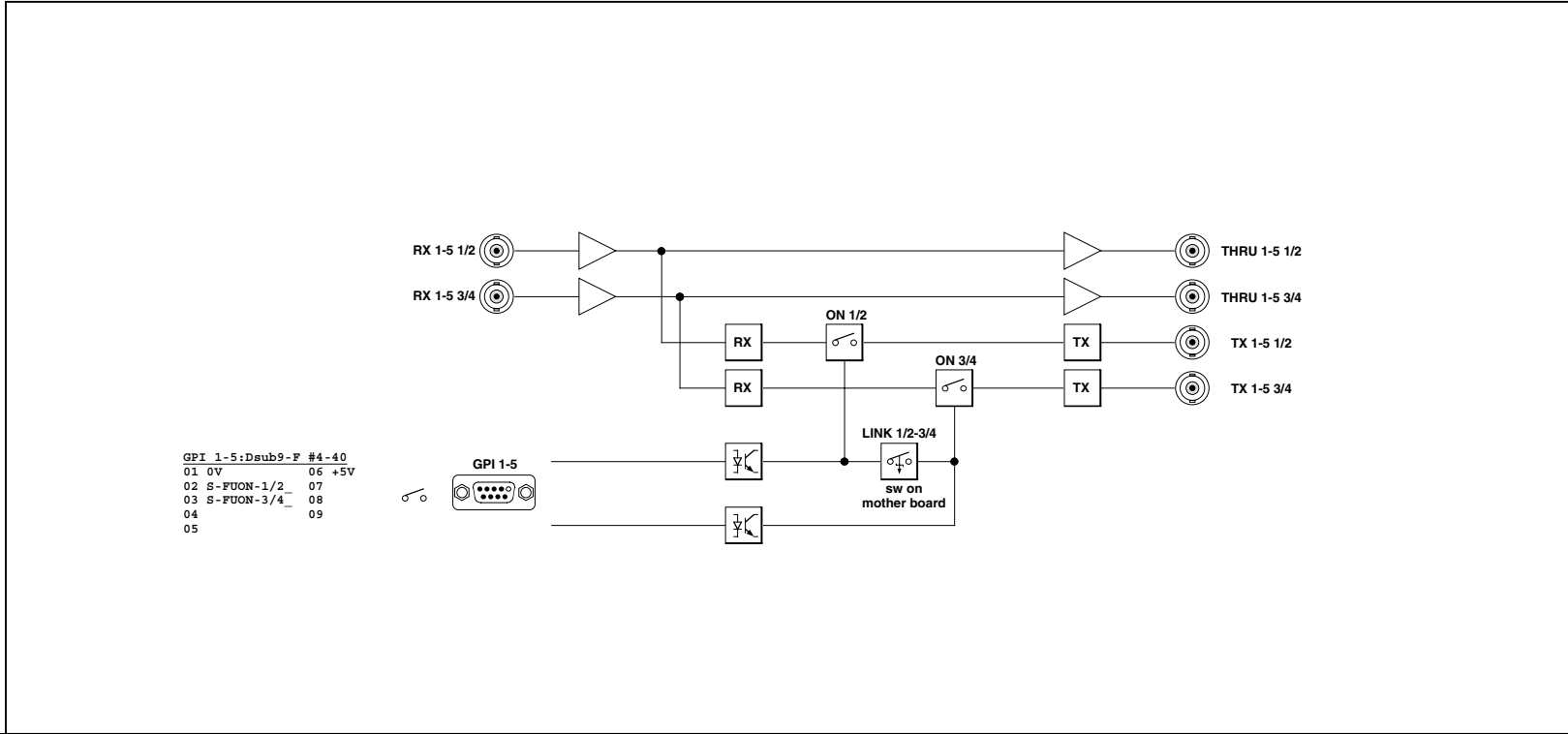
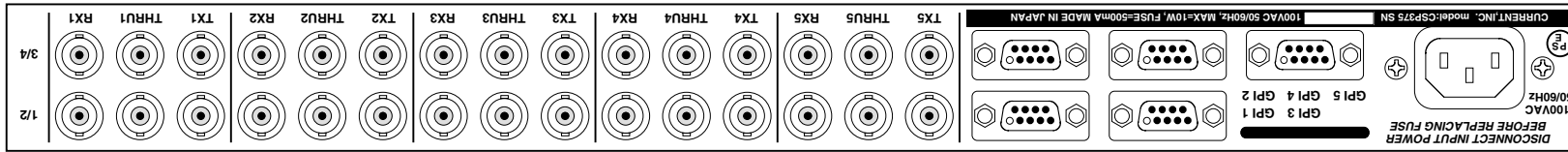
SPECIFICATIONS

- 🔊 **DIGITAL INPUTS:** UNBALANCED 75Ω 1Vpp
- 🔊 **DIGITAL INPUTS REFERENCE LEVEL:** -20dBfs, MAX 0dBfs
- 🔊 **DIGITAL INPUTS CONNECTOR:** BNC
- 🔊 **ANALOG OUTPUTS:** UNBALANCED 75Ω 1Vpp
- 🔊 **CONTROL:** ON/OFF 🍏 **Resolution:** 24 bits
- 🔊 **Sample Rate:** 32-96kHz
- 🔊 **FREQUENCY RESPONSE:** 20Hz-20kHz ±0.1dB
- 🔊 **THD:** < 0.01% at 1kHz REFERENCE LEVEL
- 🔊 **NOISE:** < -90dB 🍏 **GPI:** 1-5 D9-F (#4-40)
- 🔊 **MAINS:** 100VAC 50/60Hz 10W(MAX)
- 🔊 **DIMENSIONS:** 482Wx44Hx303D 4kg

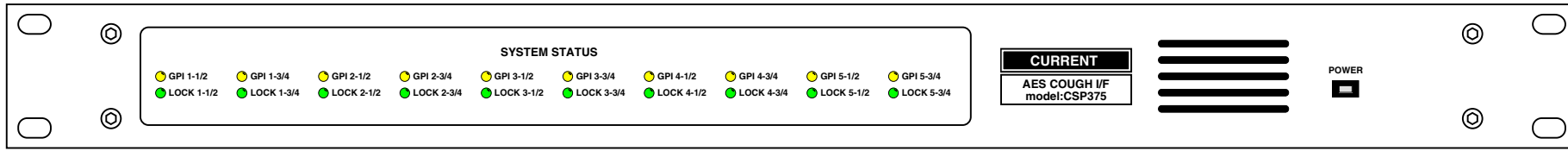
| | | |
|----------------------|------------|----------|
| Main frame | CSP375-102 | ¥480,000 |
| Module | CSP375-101 | ¥96,000 |
| Cough box | AF109 | ¥72,000 |
| GPI cable | CSP375W | ¥24,000 |
| accessory : AC cable | | |

The specifications are subject to change without notice.
 2-26-11 AKATSUTSUMI, SETAGAYA-KU, TOKYO, 156-0044 JAPAN

MONITOR SYSTEM
 HEADPHONES AMP
 CUE SYSTEM
 COMMUNICATION
 TB COUGH SYSTEM
 MATRIX AMP
 AUDIO ROUTER
 AUDIO VIDEO
 SWITCHER
 SYSTEM SWITCHER
 EMERGENCY
 AUDIO VIDEO
 DISTRIBUTOR
 METER SYSTEM
 ANALOG, DIGITAL
 PREAMP MIXER
 LEVEL UNIT
 DIGITAL AUDIO
 FADER UNIT
 AUTO FADER
 TALLY FADER
 CLOCK, TIMER
 EVENT SYSTEM
 SPECIAL PRODUCTS
 ETC.



302.6



44.0

482.0

| | | |
|-----------------|----------------------|----------|
| (c)CURRENT,INC. | CSP375 AES COUGH I/F | Dec.2007 |
| H.ICHIHASHI | PANEL DIAGRAM | CSP375-D |