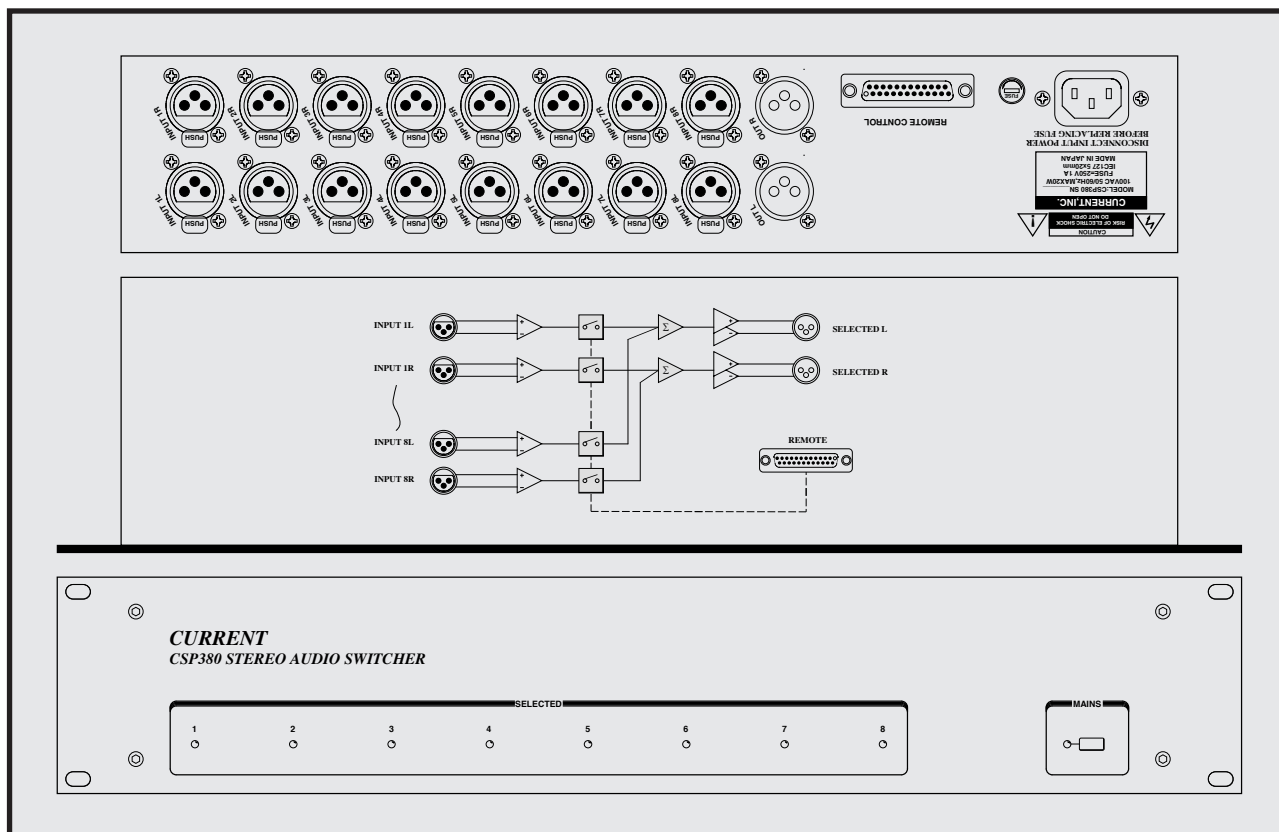


CURRENT PRODUCTS model:CSP380

STEREO AUDIO SWITCHER



8 stereo audio switcher
 Low noise, high-quality sound
 Remote control
 Mix is possible by multiplex push
 Most suitable as a source selector
 19 inches 2U size

CSP380 is an audio switcher of 8 stereos with the XLR connector for input and output. It mixes any channel which it chose by remote control and can output it.

"Control"

The switching logic of the Control Panel can choose 2 select modes without making a mode select. As for one mode, the channel is chosen if it presses the button alone. When another mode presses other buttons while pressing any button, it can choose the multiple channels. It can choose the mode of the multiple selection just to press the multiple buttons at the same time.

"Remote"

The connection of the remote control panel of CSP380 is very simple. It does not need a special component just to be connected by switch common, a lamp common method. It is the parallel working and can change it of it to the switch of the main frame front panel in the other. Please use a momentary switch for a remote switch.

"Others"

The CSP380-1 which mounted a switch to front panel is available. In addition, the controller of vocal switcher VSS80 or VSS800 is connectable to a remote port, too. In addition, please refer about the manu-

facturing of the Control Panel with any specifications.



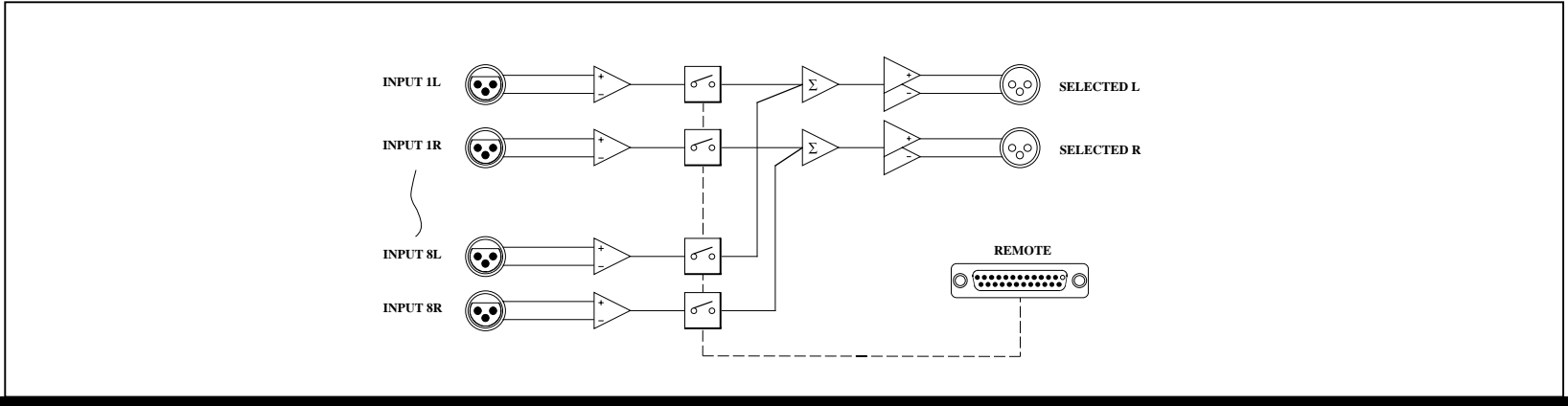
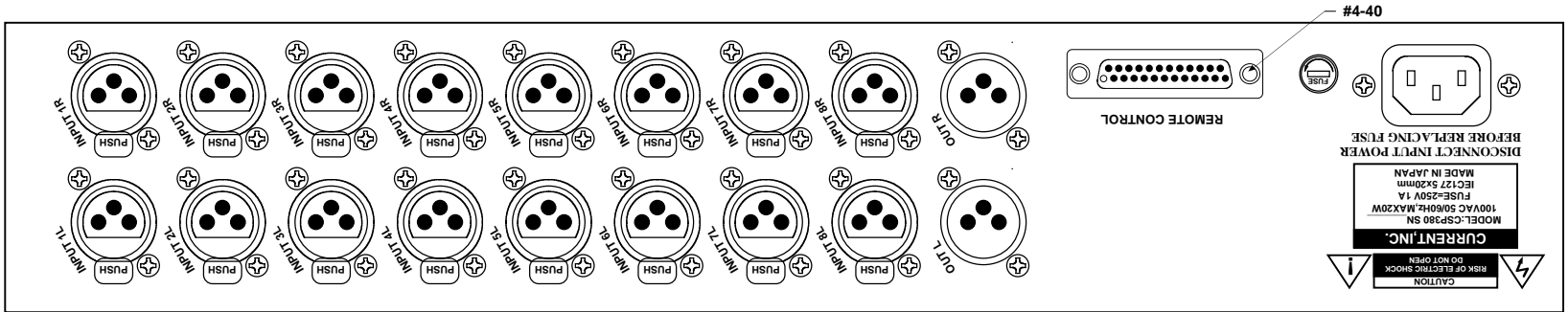
SPECIFICATIONS

- 🍏 **INPUTS:** STEREO 8, BALANCED, 10kΩ, XLR3-F
REFERENCE LEVEL=+4dBu, MAX +24dBu
- 🍏 **SELECTED OUTPUTS:** BALANCED 50Ω, XLR3-M
REFERENCE LEVEL=+4dBu, MAX +24dBu
- 🍏 **REMOTE CONTROL:** CHANNEL SELECT
CONNECTOR: D25-F (#4-40)
- 🍏 **FREQUENCY RESPONSE:** 20Hz-20kHz ±0.1dB
- 🍏 **THD:** < 0.01% at 1kHz REFERENCE LEVEL 🍏 **NOISE:** < -90dB
- 🍏 **MAINS:** 100VAC 50/60Hz 20W(MAX)
- 🍏 **DIMENSIONS:** 482Wx88Hx303D 5kg

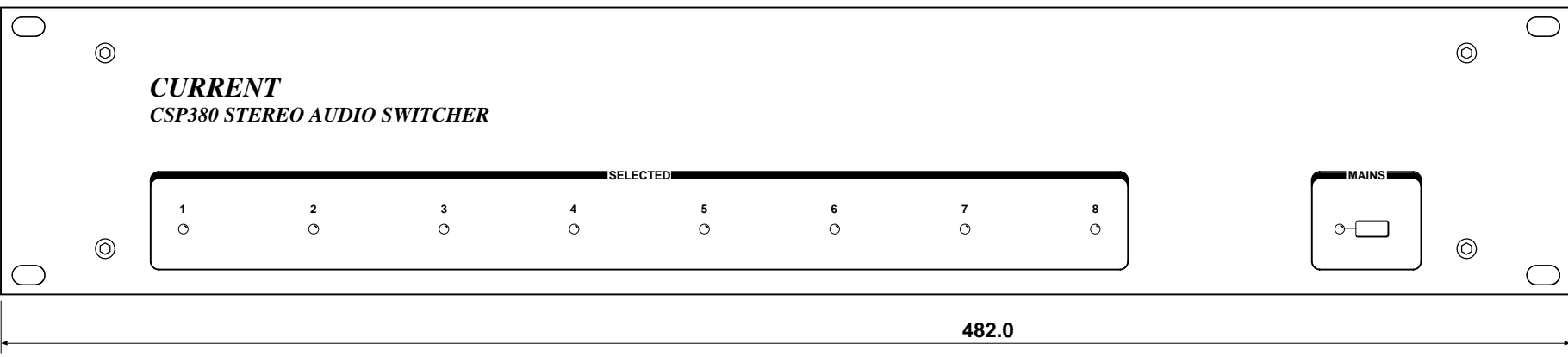
Remote control type CSP380	¥380,000
Stand alone type CSP380-1	¥380,000
accessory : AC cable	

The specifications are subject to change without notice.
 2-26-11 AKATSUTSUMI, SETAGAYA-KU, TOKYO, 156-0044 JAPAN

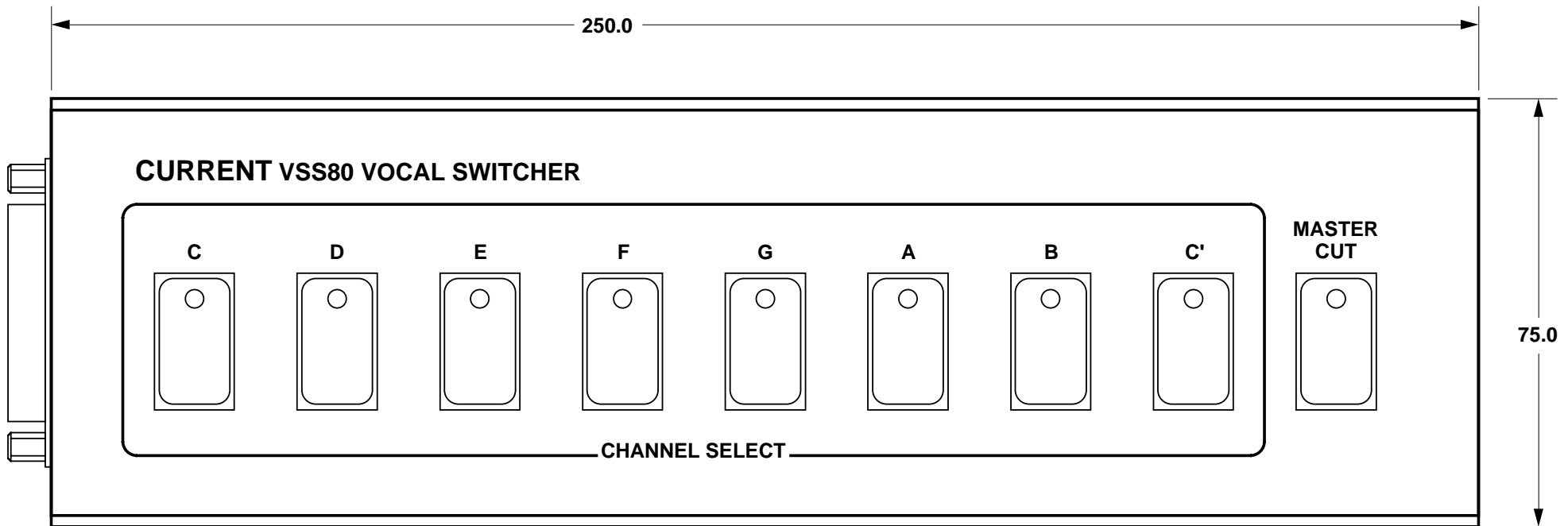
MONITOR SYSTEM
 HEADPHONES AMP
 CUE SYSTEM
 SYSTEM AMP
 TB. COUGH SYSTEM
 COMMUNICATION
 MATRIX AMP
 AUDIO ROUTER
 AUDIO VIDEO
 SWITCHER
 SYSTEM SWITCHER
 EMERGENCY
 AUDIO VIDEO
 DISTRIBUTOR
 METER SYSTEM
 ANALOG, DIGITAL
 PREAMP MIXER
 LEVEL UNIT
 DIGITAL AUDIO
 FADER UNIT
 AUTO FADER
 TALLY FADER
 CLOCK, TIMER
 EVENT SYSTEM
 SPECIAL PRODUCTS
 ETC.



302.6



(c)CURRENT,INC.	8 STEREO SWITCHER CSP380	APR. 97
H.ICHIHASHI	PANEL DIAGRAM	CSP380-D



CURRENT,INC.	CSP380 STEREO AUDIO SWITCHER	APR.97
H.ICHIHASHI	CONTROL UNIT PANEL DIAGRAM	

CSP380 "Remote" D25-F(#4-40) Connector Pin List

Ribbon	Hard	Signal name	Designation	Active
1	1	0V	SWITCHES COMMON	
2	14	+5V	LAMPS COMMON	
3	2	S1	SELECT SWITCH 1	
4	15	B1	SELECT TALLY 1	
5	3	S2	SELECT SWITCH 2	
6	16	B2	SELECT TALLY 2	
7	4	S3	SELECT SWITCH 3	
8	17	B3	SELECT TALLY 3	
9	5	S4	SELECT SWITCH 4	
10	18	B4	SELECT TALLY 4	
11	6	S5	SELECT SWITCH 5	
12	19	B5	SELECT TALLY 5	
13	7	S6	SELECT SWITCH 6	
14	20	B6	SELECT TALLY 6	
15	8	S7	SELECT SWITCH 7	
16	21	B7	SELECT TALLY 7	
17	9	S8	SELECT SWITCH 8	
18	22	B8	SELECT TALLY 8	
19	10	SM	MASTER CUT SWITCH	
20	23	BM	MASTER CUT TALLY	
21	11			
22	24			
23	12			
24	25			
25	13			

注意！ Dサブコネクタの接続はHARDピン番号で接続してください。

取付ビスは#4 - 40インチビスを使用して下さい

CAUTION! D-Connector for wiring refer toHard pin number Description.

Mounting screw for D-connector use #4-40 size.