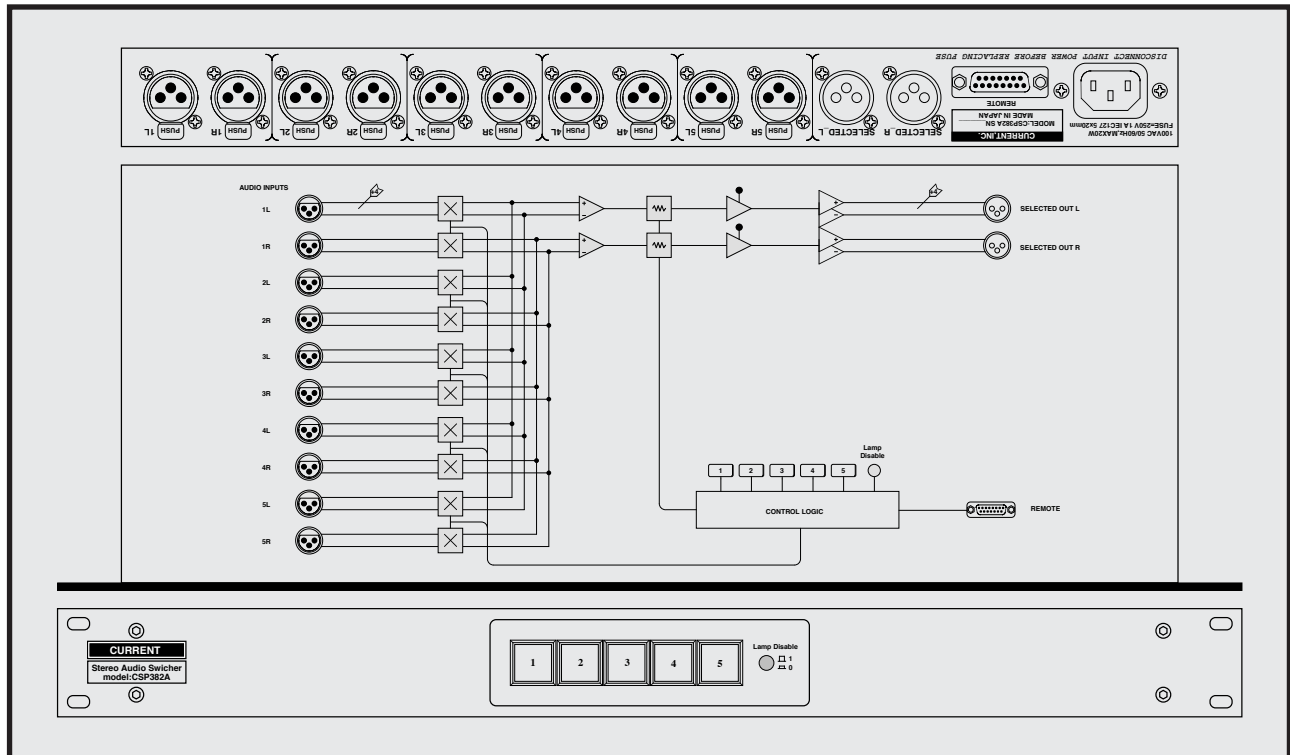


CURRENT PRODUCTS model:CSP382A

5 STEREO AUDIO SWITCHER



Routing to 5 routes in a stereo source
 XLR connector
 Up to -20 to +4 dB output standards
 Remote control possible
 19 inches 1U size

CSP384 is an audio router of high-quality sound.
It chooses one of 5 routes and can output one stereo audio in source.
It is most suitable for the switch of the monitor speaker or the routing of the communication line. It provides the good signal routing environment with the parts which selected carefully of high quality.

"Input and output"

The XLR input and output connector of CSP384 allows certain connection and use in every environment. Likewise, the Dsub-15F connector adopting to a remote connector is so. The standard input and output reference level is +4dBu, but can set it in the range of -20 to +4dBu by designation at the time of an order.

"Control"

The switching logic is the way that only the channel which it chose is output. When they press the multiple buttons, all output is OFF.

"Remote control panel"

The connection of the remote control panel of CSP384 is very simple. It does not need a special component just to be connected by switch common, a lamp common method. It is the parallel working and can change it of it to the switch of the main frame front panel in the other. Please use a momentary switch for a remote switch.

"Others"

It can constitute a matrix switcher when it uses in combination CSP382A of 5 stereo switchers of an opposite product of CSP384. In addition, a remote control head and the panel, please refer to the manufacturing with the option for the monitoring.

REMOTE DSUB15-F

01 SW COM 0V	09 LP COM +15V
02 SW 1	10 LP 1
03 SW 2	11 LP 2
04 SW 3	12 LP 3
05 SW 4	13 LP 4
06 SW 5	14 LP 5
07 LP OFF	15
08	



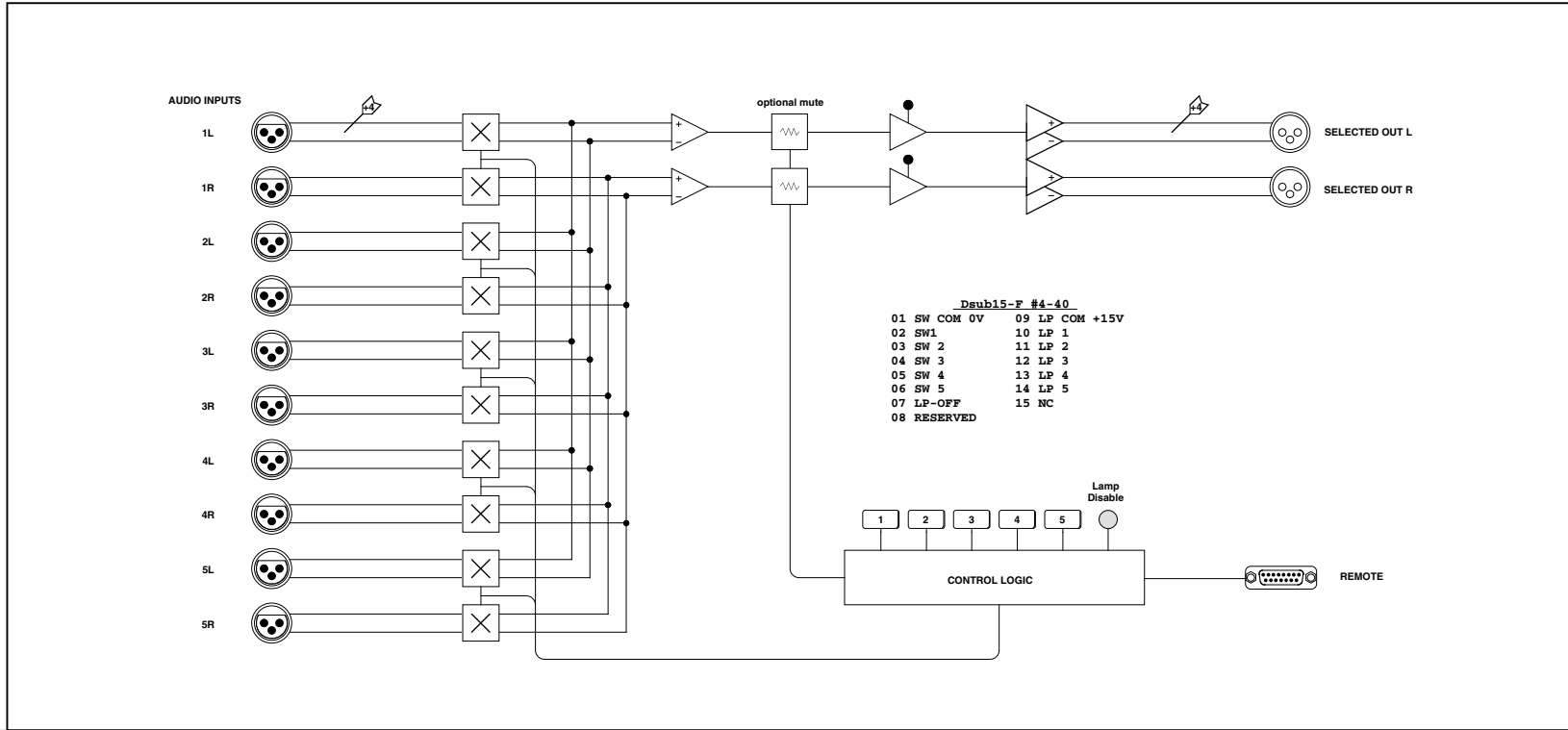
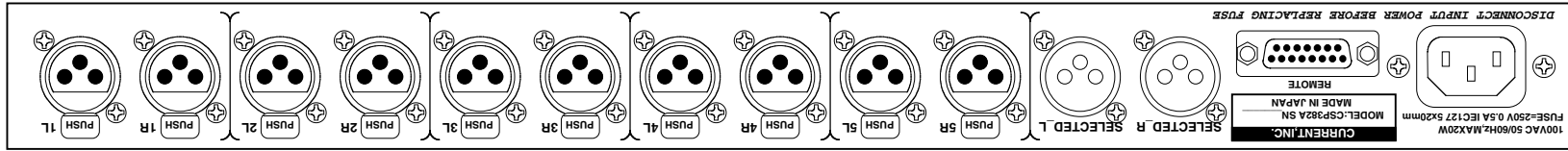
SPECIFICATIONS

- ♣ **INPUTS:** 5 STEREO, BALANCED, 24kΩ
- ♣ **INPUTS CONNECTOR:** XLR3-F
- ♣ **INPUTS REFERENCE LEVEL:** +4dBu, MAX +24dBu
- ♣ **SELECTED OUTPUTS:** 1 STEREO BALANCED, 50Ω
- ♣ **SELECTED OUTPUTS REFERENCE LEVEL:** +4dBu, MAX +24dBu
- ♣ **SELECTED OUTPUTS CONNECTOR:** XLR3-M
- ♣ **CONTROL:** CHANNEL SELECT (REMOTE)
- ♣ **CONTROL CONNECTOR:** D15-F (#4-40)
- ♣ **FREQUENCY RESPONSE:** 20Hz-20kHz ±0.1dB
- ♣ **THD:** < 0.01% at 1kHz REFERENCE LEVEL
- ♣ **NOISE:** < -90dB
- ♣ **MAINS:** 100-120VAC 50/60Hz 15W(MAX)
- ♣ **DIMENSIONS:** 482Wx44Hx303D 4kg

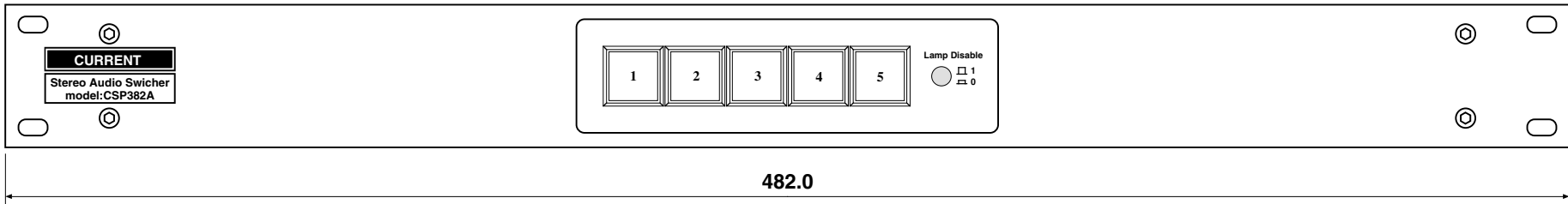
Audio Switcher	CSP382A	¥248,000
accessory : AC cable		

The specifications are subject to change without notice.
 2-26-11 AKATSUTSUMI, SETAGAYA-KU, TOKYO, 156-0044 JAPAN

MONITOR SYSTEM
 HEADPHONES AMP
 CUE SYSTEM
 COMMUNICATION
 TB. COUGH SYSTEM
 MATRIX AMP
 AUDIO ROUTER
 AUDIO VIDEO
 SWITCHER
 SYSTEM SWITCHER
 EMERGENCY
 AUDIO VIDEO
 DISTRIBUTOR
 METER SYSTEM
 ANALOG, DIGITAL
 PREAMP MIXER
 LEVEL UNIT
 DIGITAL AUDIO
 FADER UNIT
 AUTO FADER
 TALLY FADER
 CLOCK TIMER
 EVENT SYSTEM
 SPECIAL PRODUCTS
 ETC.



302.6



Dec.2003
Nov.2003

(c)CURRENT,INC.	STEREO AUDIO SWITCHER CSP382A	Mar.1998
H.ICHIHASHI	PANEL DIAGRAM	CSP382A-D

