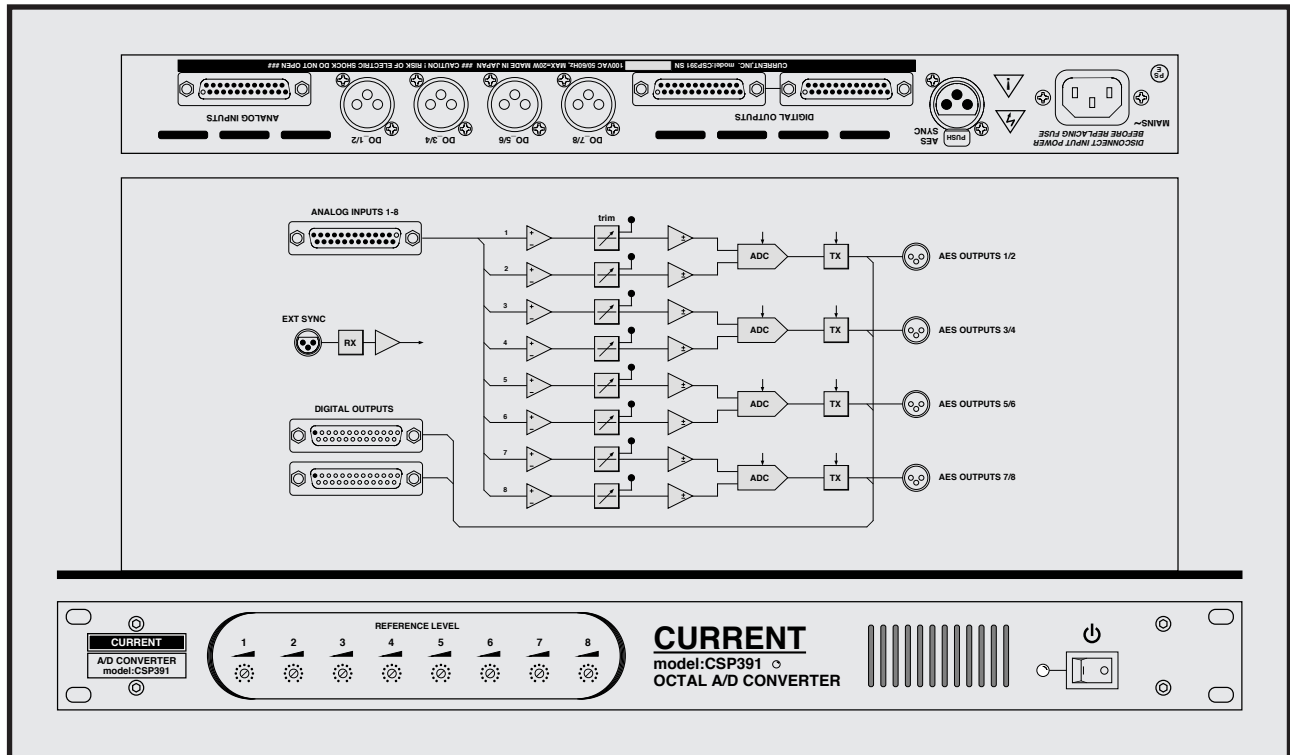


CURRENT PRODUCTS model:CSP391

OCTAL A/D CONVERTER



24bit, 96kHz
 8 channel A/D converters
 External AES sync
 Highest grade tip use
 19 inches 1U size

CSP391 is 8 channel A/D converters configured in 19 inches 1U size of high quality. It provides excellent sound by the converter tip of the highest grade and fusion with analog technique of high-quality sound.

"Input and output"

The analog input can connect 8 channels with DSUB connector together. It provides for the AES output in XLR and DSUB connector.

"Sync"

The external synchronization input works in AES sync. Please be careful, and CSP391 does not work without the external synchronization signal.

"Reference level"

As for the reference level of the factory, the AES output is -20dBfs for +4dBu of the analog input. It is possible for a variable to output level in the range of -20dBfs from -14dBfs in a trim of the rear panel.

"Output format"

As for the channel status of the AES output, only Bit of the professional mode is set to 1, and all the others are 0.



"Others"

Please refer about changing all input and output connectors to the XLR connector.

Analog Inputs Dsub25-F		Digital Output Dsub25-F	
01 8 +	14 8 -	02 8 Gnd	01 14
15 7 +	03 7 -	16 7 Gnd	02 15
04 6 +	17 6 -	05 6 Gnd	03 16
18 5 +	06 5 -	19 5 Gnd	04 17
07 4 +	20 4 -	08 4 Gnd	05 1/2+
21 3 +	09 3 -	22 3 Gnd	18 1/2-
10 2 +	23 2 -	11 2 Gnd	06 3/4+
24 1 +	12 1 -	25 1 Gnd	19 3/4-
13			20 5/6-
			08 7/8+
			21 7/8-
			09 22
			10 23
			11 24
			12 25
			13 Gnd

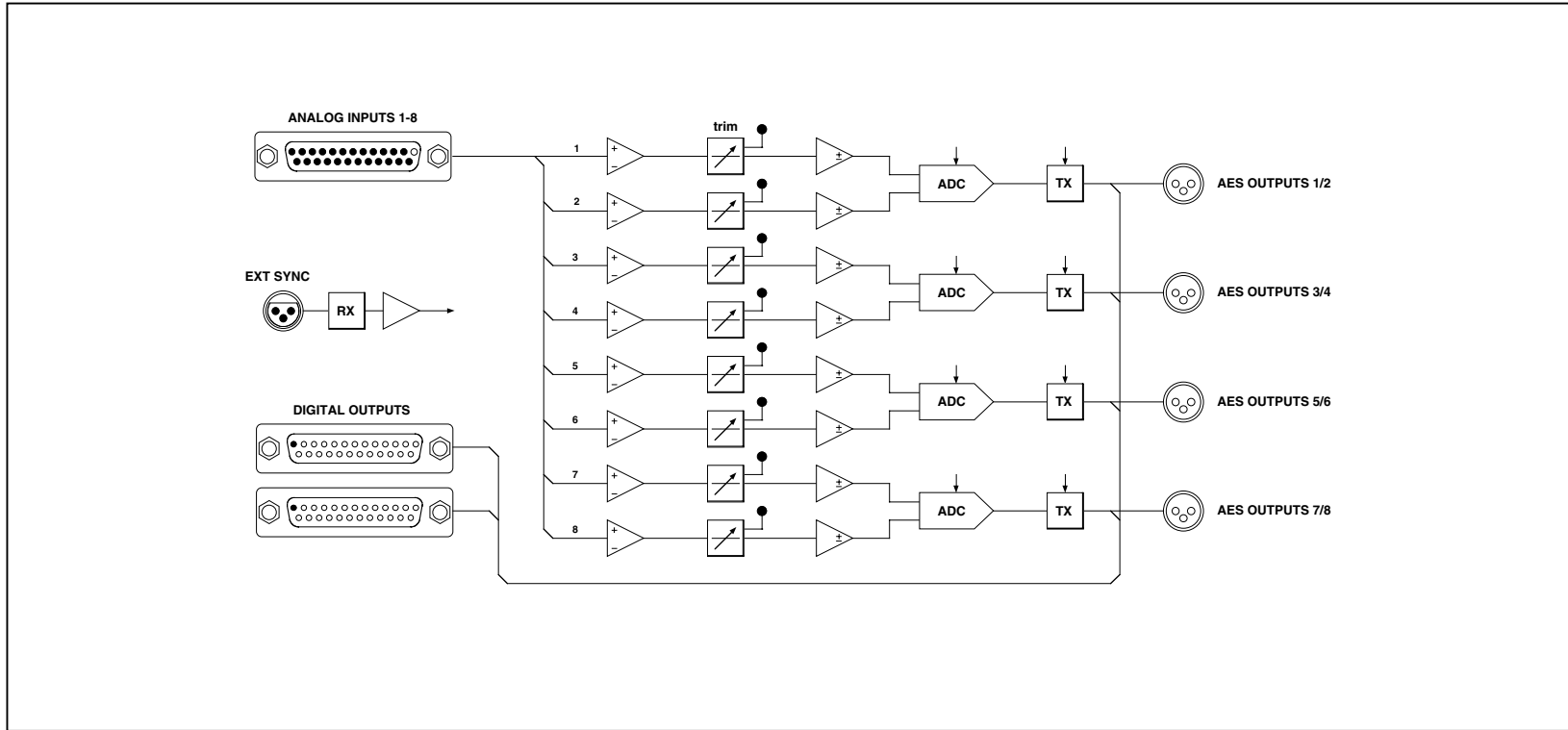
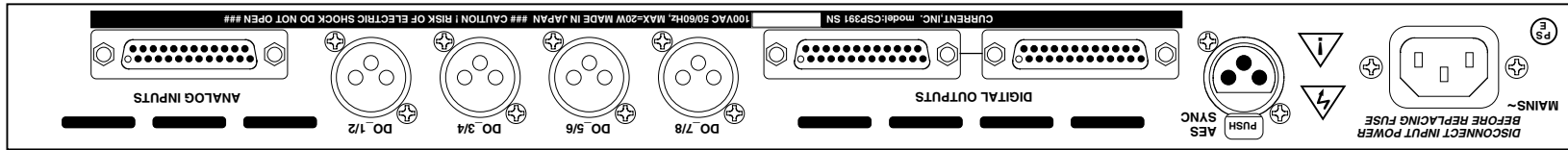
SPECIFICATIONS

- ANALOG INPUTS: 8, BALANCED, 24kΩ
- ANALOG INPUTS CONNECTOR: Dsub25-F(#4-40)
- ANALOG INPUTS REFERENCE LEVEL: +4dBu, MAX +24dBu
- DIGITAL OUTPUTS: 8 BALANCED, 110Ω
- DIGITAL OUTPUTS REFERENCE LEVEL: -20dBfs, MAX 0dBfs
- DIGITAL OUTPUTS CONNECTOR: XLR3-M, Dsub25-F x2(#4-40)
- DIGITAL OUTPUTS FORMAT: AES/EBU Pro mode
- CONTROL: ±3dB REFERENCE LEVEL (FRONT PANEL)
- Resolution: 24 bits
- External Sync: AES sync 32-96kHz, Balanced XLR3-M, 110Ω
- Sample Rate: 32-96kHz
- FREQUENCY RESPONSE: 20Hz-20kHz ±0.1dB
- THD: < 0.01% at 1kHz REFERENCE LEVEL
- NOISE: < -90dB
- MAINS: 100VAC 50/60Hz 22W(MAX)
- DIMENSIONS: 482Wx44Hx303D 4kg

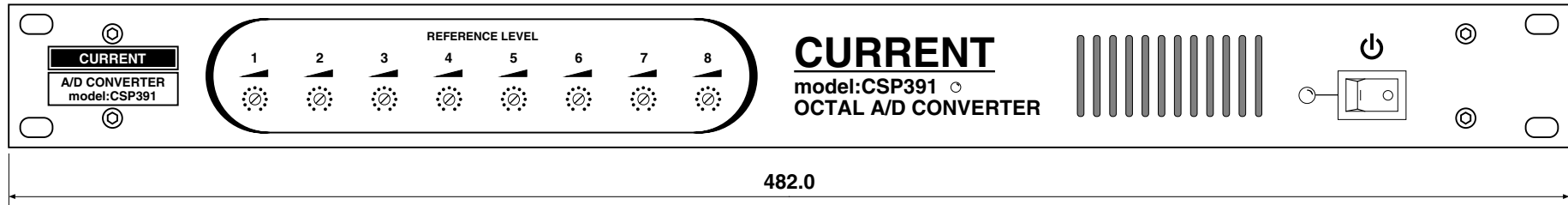
8ch AD	CSP391	¥640,000
accessory : AC cable		

The specifications are subject to change without notice.
 2-26-11 AKATSUTSUMI, SETAGAYA-KU, TOKYO, 156-0044 JAPAN

MONITOR SYSTEM
 HEADPHONES AMP
 CUE SYSTEM
 COMMUNICATION
 TR. COUGH SYSTEM
 MATRIX AMP
 AUDIO ROUTER
 AUDIO VIDEO
 SWITCHER
 SYSTEM SWITCHER
 EMERGENCY
 AUDIO VIDEO
 DISTRIBUTOR
 METER SYSTEM
 ANALOG, DIGITAL
 PREAMP MIXER
 LEVEL UNIT
 DIGITAL AUDIO
 FADER UNIT
 AUTO FADER
 TALLY FADER
 CLOCK TIMER
 EVENT SYSTEM
 SPECIAL PRODUCTS
 ETC.



302.6



482.0

44.0

(c)CURRENT, INC.	OCTAL A/D CONVERTER CSP391	AUG.2001
H.ICHIIHASHI	PANEL DIAGRAM	CSP391-D2007

Jul.2007

CSP391 "AUDIO INPUTS" D25-F(#4-40) Connector Pin List

Ribbon	Hard	Signal name	Description	Active
1	1	ALG IN 8+	ANALOG AUDIO INPUT 8 +	
2	14	ALG IN 8-	ANALOG AUDIO INPUT 8 -	
3	2	ALG IN 8G	ANALOG AUDIO INPUT 8 GND	
4	15	ALG IN 7+	ANALOG AUDIO INPUT 7 +	
5	3	ALG IN 7-	ANALOG AUDIO INPUT 7 -	
6	16	ALG IN 7G	ANALOG AUDIO INPUT 7 GND	
7	4	ALG IN 6+	ANALOG AUDIO INPUT 6 +	
8	17	ALG IN 6-	ANALOG AUDIO INPUT 6 -	
9	5	ALG IN 6G	ANALOG AUDIO INPUT 6 GND	
10	18	ALG IN 5+	ANALOG AUDIO INPUT 5 +	
11	6	ALG IN 5-	ANALOG AUDIO INPUT 5 -	
12	19	ALG IN 5G	ANALOG AUDIO INPUT 5 GND	
13	7	ALG IN 4+	ANALOG AUDIO INPUT 4 +	
14	20	ALG IN 4-	ANALOG AUDIO INPUT 4 -	
15	8	ALG IN 4G	ANALOG AUDIO INPUT 4 GND	
16	21	ALG IN 3+	ANALOG AUDIO INPUT 3 +	
17	9	ALG IN 3-	ANALOG AUDIO INPUT 3 -	
18	22	ALG IN 3G	ANALOG AUDIO INPUT 3 GND	
19	10	ALG IN 2+	ANALOG AUDIO INPUT 2 +	
20	23	ALG IN 2-	ANALOG AUDIO INPUT 2 -	
21	11	ALG IN 2G	ANALOG AUDIO INPUT 2 GND	
22	24	ALG IN 1+	ANALOG AUDIO INPUT 1 +	
23	12	ALG IN 1-	ANALOG AUDIO INPUT 1 -	
24	25	ALG IN 1G	ANALOG AUDIO INPUT 1 GND	
25	13			

注意！ Dサブコネクタの接続はHARDピン番号で接続してください。取付は#4 - 40インチビスです。

CAUTION! D-Connector for wiring refer toHard pin number Description. Mounting screw for D-connector use #4-40 size.

CSP391 "DIGITAL OUTPUTS" D25-F(#4-40) Connector Pin List

Ribbon	Hard	Signal name	Description	Active
1	1			
2	14			
3	2			
4	15			
5	3			
6	16			
7	4			
8	17			
9	5	DOUT 1/2+	DIGITAL OUTPUT 1/2 +	
10	18	DOUT 1/2-	DIGITAL OUTPUT 1/2 -	
11	6	DOUT 3/4+	DIGITAL OUTPUT 3/4 +	
12	19	DOUT 3/4-	DIGITAL OUTPUT 3/4 -	
13	7	DOUT 5/6+	DIGITAL OUTPUT 5/6 +	
14	20	DOUT 5/6-	DIGITAL OUTPUT 5/6 -	
15	8	DOUT 7/8+	DIGITAL OUTPUT 7/8 +	
16	21	DOUT 7/8-	DIGITAL OUTPUT 7/8 -	
17	9			
18	22			
19	10			
20	23			
21	11			
22	24			
23	12			
24	25	GND	GND	
25	13	GND	GND	

注意！ Dサブコネクタの接続はHARDピン番号で接続してください。取付は#4-40インチビスです。

CAUTION! D-Connector for wiring refer toHard pin number Description. Mounting screw for D-connector use #4-40 size.