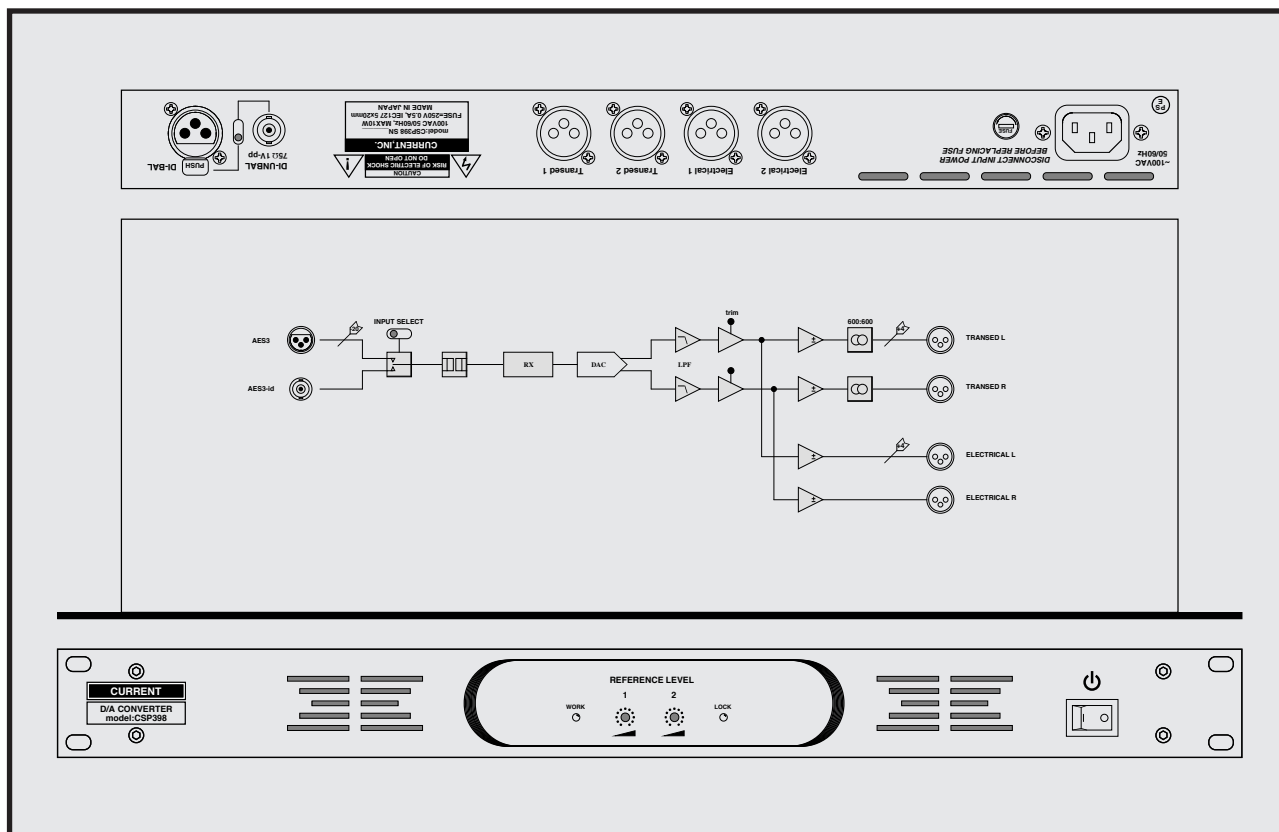


CURRENT PRODUCTS model:CSP398

STEREO D/A CONVERTER



24bit, 96kHz

Stereo D/A converter

Jensen made transformer built-in

Super high-quality sound

Highest grade tip

19 inches 1U size

CSP398 is stereo D/A converter of the 19 inches 1U size of high quality. It provides excellent sound by a converter tip possible of the latest 32bit processing and fusion with the analog technique of high-quality sound.

"Input"

The AES input provides in XLR and 2 routes of the BNC connector and does not specify connection destination equipment.

"Output"

It provides in the output and normal electronic balanced output isolated by Jensen made transformer, and, please choose it depending on an application and preference. In addition, it can use these simultaneously.

"Sync"

CSP398 works in sync with an AES signal up to applied 96kHz.

"Reference level"

As for the reference level of the factory, analog output is +4dBu for -20dBFs of the AES input. It is possible for a variable to output level in the range of -20dBFs from -14dBFs in a trim of the front panel.

"Input format"

It uses only audio data in the internal circuit of CSP398 and does not depend on professional, a consumer format. In addition, the emphasis flag supports only in 44.1kFs.

"Others"

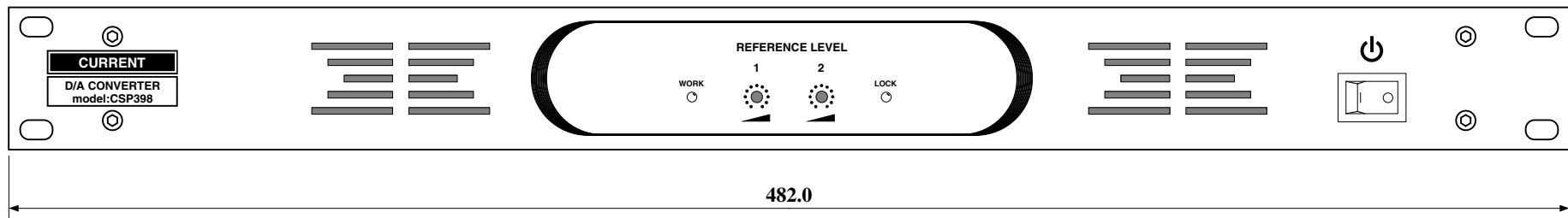
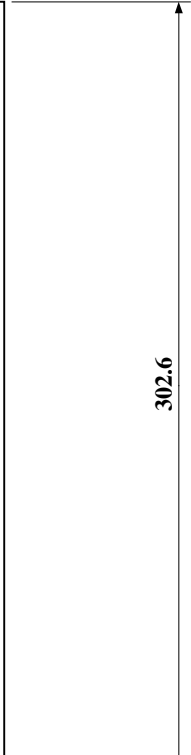
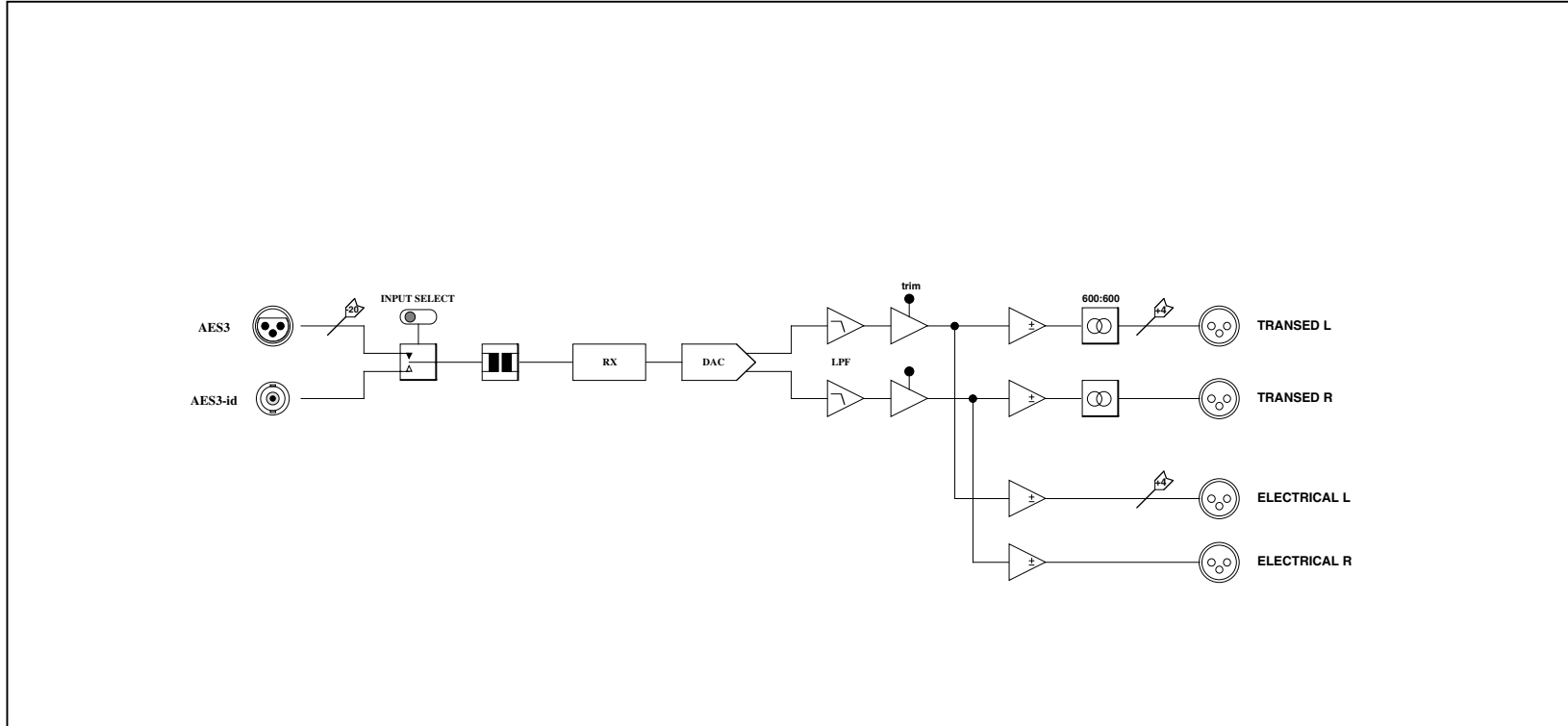
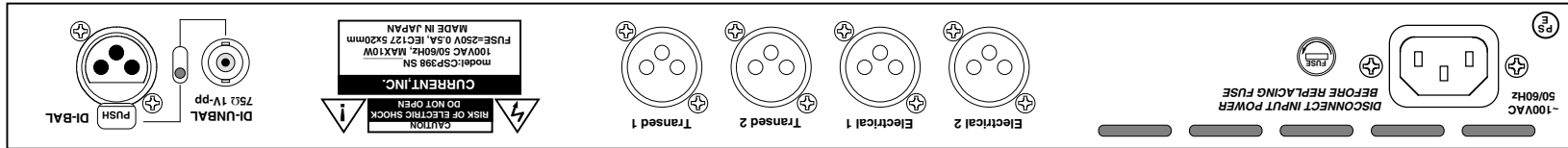
Please refer about the support to 192kHz.

SPECIFICATIONS

- 🍏 **DIGITAL INPUTS:** BALANCED 110Ω, UNBALANCED 75Ω
- 🍏 **DIGITAL INPUTS REFERENCE LEVEL:** -20dBFs, MAX 0dBFs
- 🍏 **DIGITAL INPUTS CONNECTOR:** XLR3-F, BNC
- 🍏 **DIGITAL INPUTS FORMAT:** AES/EBU
- 🍏 **ANALOG OUTPUTS:** 8, BALANCED, 50Ω
- 🍏 **ANALOG OUTPUTS CONNECTOR:** XLR3-M
- 🍏 **ANALOG OUTPUTS REFERENCE LEVEL:** +4dBu, MAX +24dBu
- 🍏 **CONTROL:** ±3dB REFERENCE LEVEL (FRONT PANEL)
- 🍏 **Resolution:** 24 bits
- 🍏 **Sample Rate:** 32-96kHz
- 🍏 **FREQUENCY RESPONSE:** 20Hz-20kHz ±0.1dB
- 🍏 **THD:** < 0.01% at 1kHz REFERENCE LEVEL
- 🍏 **NOISE:** < -90dB
- 🍏 **MAINS:** 100VAC 50/60Hz 10W(MAX)
- 🍏 **DIMENSIONS:** 482Wx44Hx303D 4kg

Stereo DA	CSP398	¥640,000
accessory : AC cable		

The specifications are subject to change without notice.
2-26-11 AKATSUTSUMI, SETAGAYA-KU, TOKYO, 156-0044 JAPAN



(c)CURRENT,INC.	CSP398 DA CONVERTER	Oct.2007
H.ICHIHASHI	PANEL DIAGRAM	CSP398-D