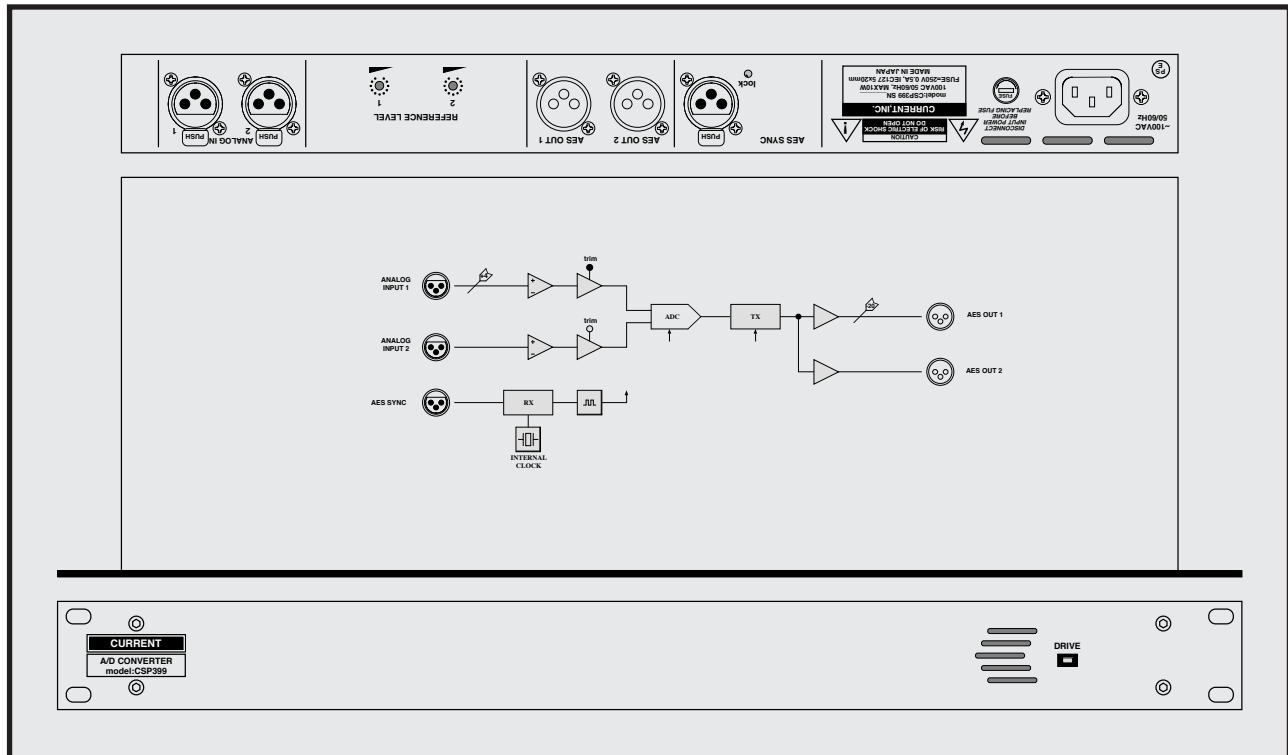


# CURRENT PRODUCTS model:CSP399

## STEREO A/D CONVERTER



**18bit, 48kHz**  
**Stereo A/D converter**  
**AES sync**  
**19 inches 1U size**

**CSP399 is a stereo A/D converter of 48kHz , 18bit configured in 19 inches 1U size. It provides excellent sound by a superior converter tip and fusion with the analog technique of high-quality sound.**

### "Input"

The XLR connector of the balanced allows easy interface with every equipment.

### "Output"

It provides in XLR of 2 routes, and it is possible for the transmission to monitor with a program line simultaneously.

### "Sync"

The external synchronization XLR input supports AES sync. Fs follows 32, 44.1, 48kHz automatically. When external synchronization signal is not applied, it works by an internal crystal of 48kHz.

### "Reference level"

As for the reference level of the factory, the AES output is -20dBfs of +4dBu of the analog input. It is possible for a variable to output level in the range of -20dBfs from -14dBfs in a trim of the rear panel.

### "Output format"

As for the channel status of the AES output, only Bit of the professional mode is set to 1, and all the others are 0.

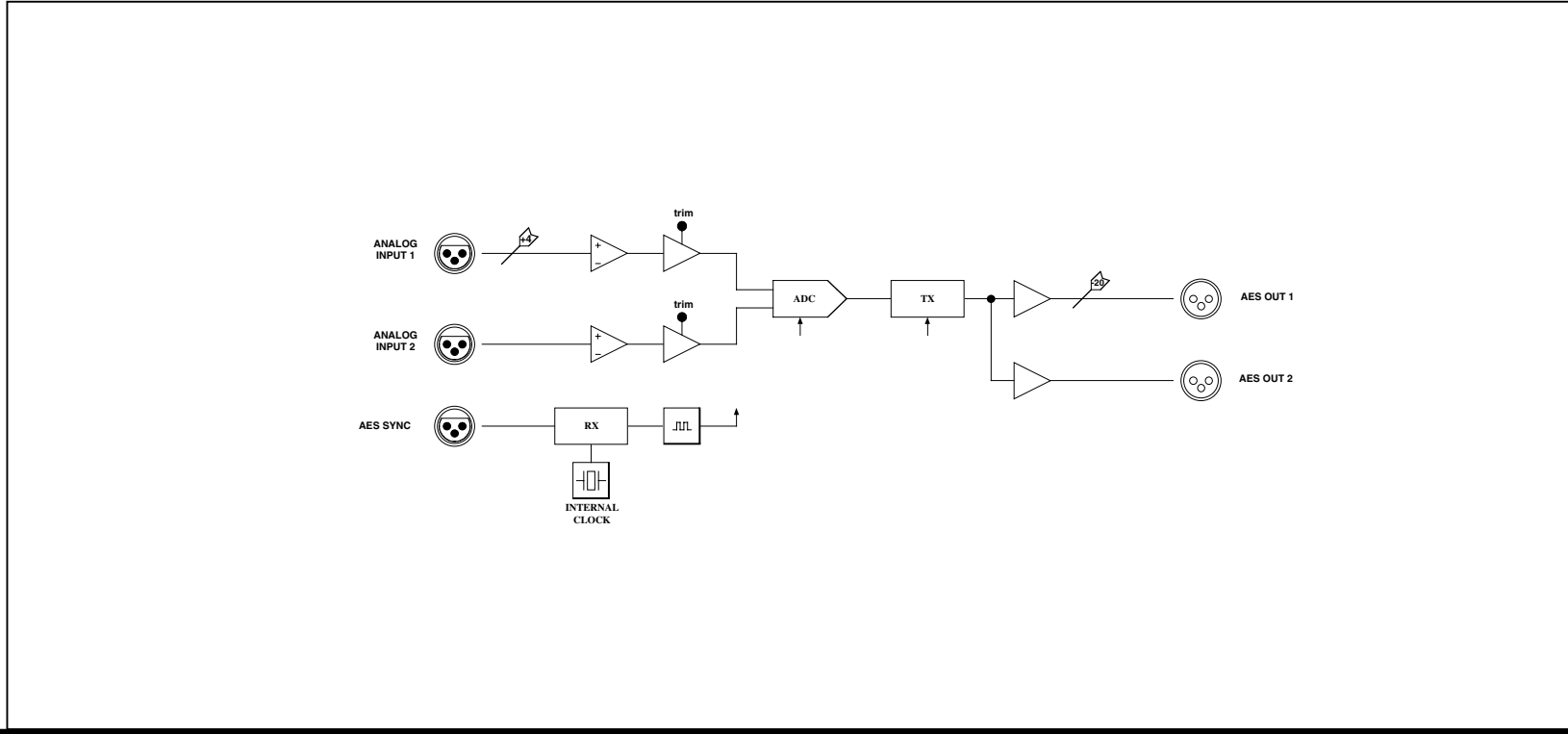
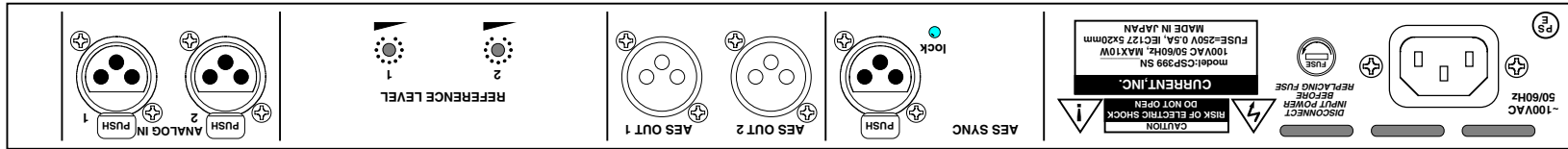
## SPECIFICATIONS

- 🍏 **ANALOG INPUTS:** 2, BALANCED, 24kΩ
- 🍏 **ANALOG INPUTS CONNECTOR:** XLR3-F
- 🍏 **ANALOG INPUTS REFERENCE LEVEL:** +4dBu, MAX +24dBu
- 🍏 **DIGITAL OUTPUT:** 2, BALANCED, 110Ω, XLR3-M
- 🍏 **DIGITAL OUTPUTS REFERENCE LEVEL:** -20dBfs, MAX 0dBfs
- 🍏 **DIGITAL OUTPUTS FORMAT:** AES/EBU Pro mode
- 🍏 **CONTROL:** -20 to -14dBfs REFERENCE LEVEL (FRONT PANEL)
- 🍏 **Resolution:** 18 bits 🍏 **Sample Rate:** 32-48kHz
- 🍏 **External Sync:** AES sync 32-48kHz, XLR3-F
- 🍏 **FREQUENCY RESPONSE:** 20Hz-20kHz ±0.1dB
- 🍏 **THD:** < 0.01% at 1kHz REFERENCE LEVEL
- 🍏 **NOISE:** < -90dB
- 🍏 **MAINS:** 100VAC 50/60Hz MAX10W
- 🍏 **DIMENSIONS:** 482Wx44Hx153D 4kg

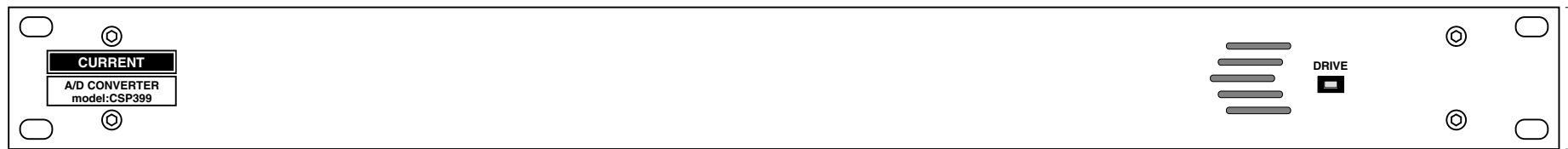
Stereo AD	CSP399	¥248,000
accessory : AC cable		

The specifications are subject to change without notice.  
 2-26-11 AKATSUTSUMI, SETAGAYA-KU, TOKYO, 156-0044 JAPAN

MONITOR SYSTEM  
 HEADPHONES AMP  
 CUE SYSTEM  
 COMMUNICATION  
 TB. COUGH SYSTEM  
 MATRIX AMP  
 AUDIO ROUTER  
 AUDIO VIDEO  
 SWITCHER  
 SYSTEM SWITCHER  
 EMERGENCY  
 AUDIO VIDEO  
 DISTRIBUTOR  
 METER SYSTEM  
 ANALOG, DIGITAL  
 PREAMP MIXER  
 LEVEL UNIT  
 DIGITAL AUDIO  
 FADER UNIT  
 AUTO FADER  
 TALLY FADER  
 CLOCK TIMER  
 EVENT SYSTEM  
 SPECIAL PRODUCTS  
 ETC.



152.6



482.0

44.0

(c)CURRENT,INC.	CSP399 AD CONVERTER	Dec.2007
H.ICHIHASHI	PANEL DIAGRAM	CSP399-D