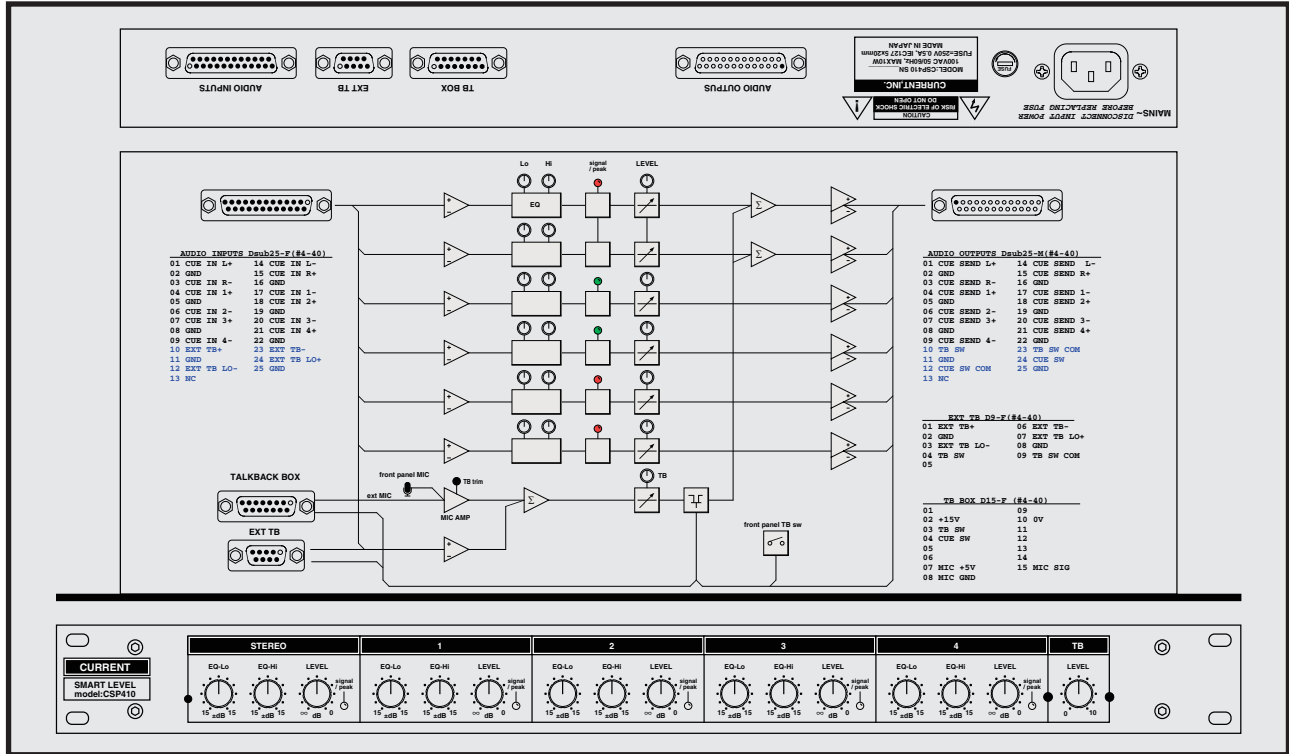


# CURRENT PRODUCTS model:CSP410

## SMART LEVEL



### Master level control

Stereo + 4 mono

Talkback

EQ

Most suitable for the master unit for CUE system  
19 inches 1U size

**CSP410 is a master level controller of stereo + 4 mono.**

The EQ of High and Low allows flexible sound revision in each channel. It is the master unit which is most suitable for CUE monitor systems such as SC8016A or SC6014.

### "Input-output"

The pin format same as the audio input of the power supply unit of SC6014 allows a direct connection with CSP410.

### "EQ"

It includes 2 band Shelving EQ of  $\pm 15\text{dB}$  in each channel.

### "Talkback"

It is directly connected to TB961, and the stereo line can mix talkback. In addition, "EXT TB" port can mix the talkback signal from the other routes such as the consoles which it connected.

CUE IN DSUB25-F		CUE OUT DSUB25-M		EXT TB DSUB9-F	
01 L+	14 L-	01 L+	14 L-	01 EXT +	06 EXT-
02 GND	15 R+	02 GND	15 R+	02 GND	07 LO+
03 R-	16 GND	03 R-	16 GND	03 LO-	08 GND
04 1+	17 1-	04 1+	17 1-	04 TB SW	09 GND
05 GND	18 2+	05 GND	18 2+	05	
06 2-	19 GND	06 2-	19 GND		
07 3+	20 3-	07 3+	20 3-		
08 GND	21 4+	08 GND	21 4+		
09 4-	22 GND	09 4-	22 GND		
10 EXT+	23 EXT-	10 TB SW	23 GND		
11 GND	24 LO+	11 GND	24 CUE SW		
12 LO-	25 GND	12 GND	25 GND		
13		13			

TB BOX Dsub15-F (#4-40)	
01	09
02 +15V	10 0V
03 TB SW	11
04 CUE SW	12
05	13
06	14
07 MIC +5V	15 MIC SIG
08 MIC GND	

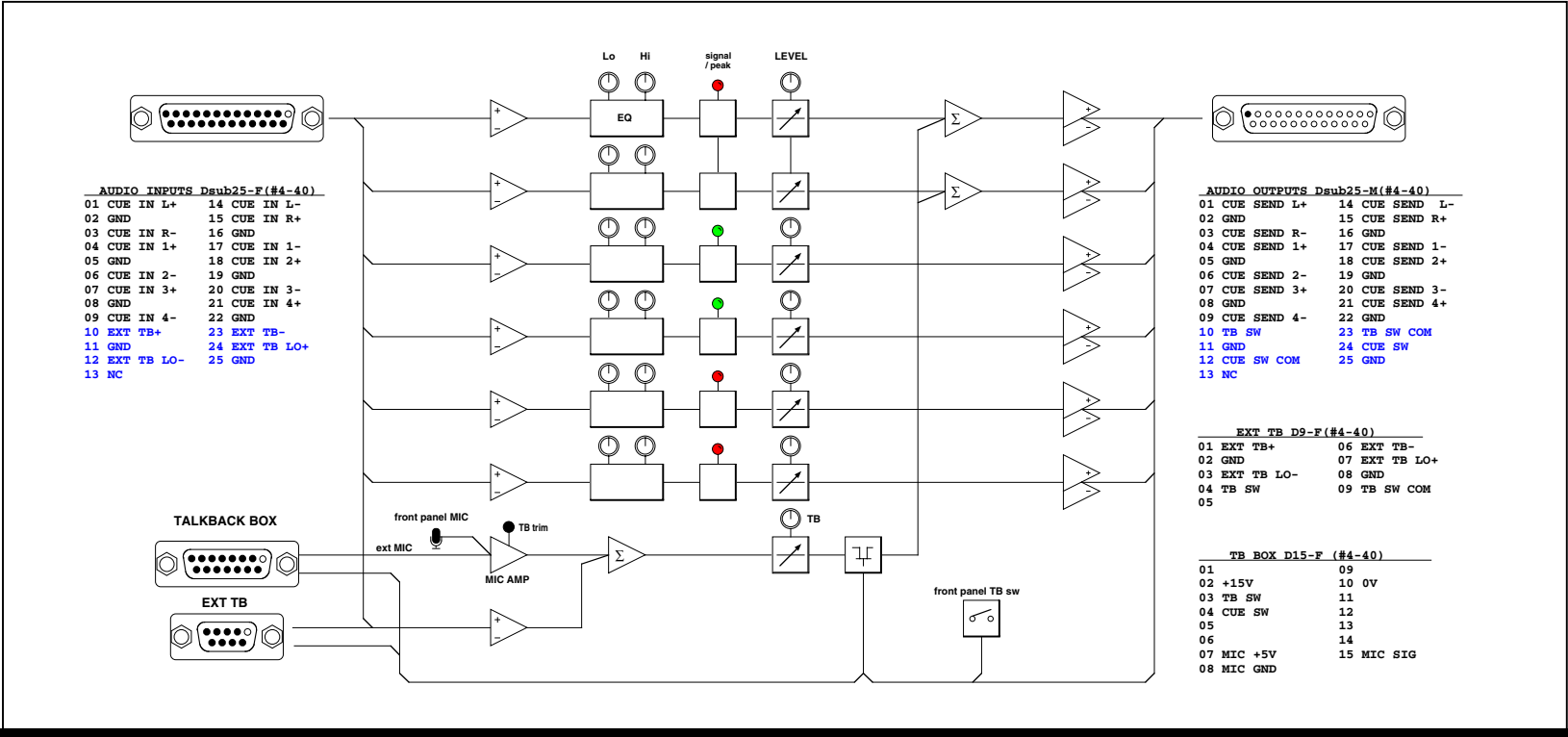
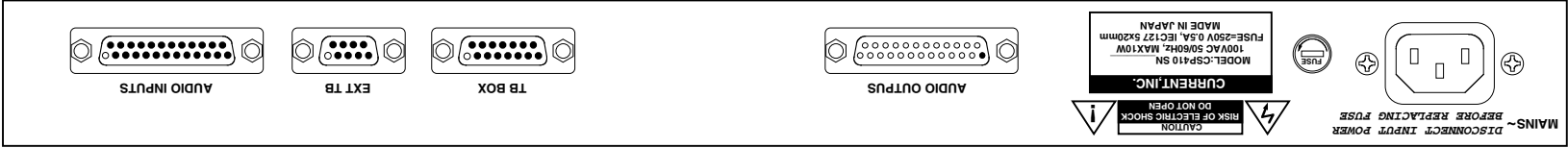
### SPECIFICATIONS

- 🔊 **CUE INPUTS:** BAL 24k $\Omega$ , +4dBu, MAX +24dBu, Dsub25-F(#4-40)
- 🔊 **CUE OUTPUTS:** BAL 50 $\Omega$ , +4dBu, MAX +24dBu, Dsub25-M(#4-40)
- 🔊 **TB BOX:** Dsub15-F(#4-40) TB961 compatible
- 🔊 **EXT TB:** Dsub9-F(#4-40)
- 🔊 **EQ:** 100Hz, 10kHz,  $\pm 15\text{dB}$  shelving
- 🔊 **FREQUENCY RESPONSE:** 20Hz-20kHz  $\pm 0.1\text{dB}$
- 🔊 **THD:** < 0.01% at 1kHz REFERENCE LEVEL
- 🔊 **NOISE:** < -90dB
- 🔊 **MAINS:** 100VAC 50/60Hz 10W(MAX)
- 🔊 **DIMENSIONS:** 482Wx44Hx303D 4kg

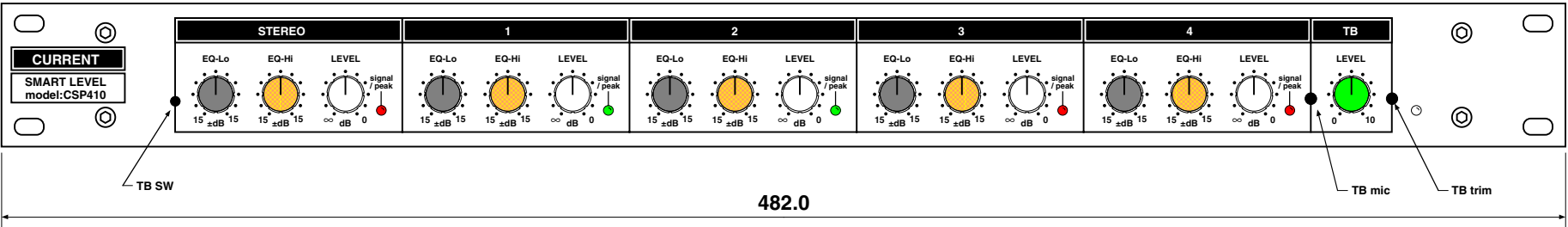
Smart Level	CSP410	¥320,000
TB box	TB961	¥64,000
TB cable	TB961W	¥32,000
CUE BOX	SC6014	¥198,000

accessory : AC cable

The specifications are subject to change without notice.  
2-26-11 AKATSUTSUMI, SETAGAYA-KU, TOKYO, 156-0044 JAPAN



302.6



(c)CURRENT,INC.	<b>CSP410 SMART LEVEL</b>	Mar.2016
H.ICHIHASHI	<b>PANEL DIAGRAM</b>	CSP410-D

Sep.2021 audio I/O line revised

# CSP410 Connector Pin List

## CSP410 "CUE INPUTS " Dsub25-F (#4-40)

Ribbon	Hard	Signal name	Designation	Active
1	1	CUE_IN L+	CUE INPUT LEFT +	audio
2	14	CUE_IN L-	CUE INPUT LEFT -	audio
3	2	GND	GND	GND
4	15	CUE_IN R+	CUE INPUT RIGHT +	audio
5	3	CUE_IN R-	CUE INPUT RIGHT -	audio
6	16	GND	GND	GND
7	4	CUE_IN 1+	CUE INPUT 1 +	audio
8	17	CUE_IN 1-	CUE INPUT 1 -	audio
9	5	GND	CR MONITOR 1L 0	
10	18	CUE_IN 2+	CUE INPUT 2 +	audio
11	6	CUE_IN 2-	CUE INPUT 2 -	audio
12	19	GND	GND	GND
13	7	CUE_IN 3+	CUE INPUT 3 +	audio
14	20	CUE_IN 3-	CUE INPUT 3 -	audio
15	8	GND	CR MONITOR 2L 0	GND
16	21	CUE_IN 4+	CUE INPUT 4 +	audio
17	9	CUE_IN 4-	CUE INPUT 4 -	audio
18	22	GND	GND	GND
19	10	EXT_TB+	EXT TB INPUT + (ref=+4dBu)	audio
20	23	EXT_TB-	EXT TB INPUT - (ref=+4dBu)	audio
21	11	GND	GND	GND
22	24	EXT_TB_LO+	EXT TB INPUT LOW LEVEL + (ref=-16dBu)	audio
23	12	EXT_TB_LO-	EXT TB INPUT LOW LEVEL - (ref=-16dBu)	audio
24	25	GND	GND	GND
25	13			

**CAUTION! D-Connector for wiring refer to Hard pin number Description. Mounting screw for D-connector use #4-40 size.**

**注意！ Dサブコネクタの接続はHardピン番号で接続してください。取付ビスは#4-40インチビスです。**

EXT\_TBは“EXT TB”コネクタとパラ接続されています。

# CSP410 Connector Pin List

## CSP410 "CUE OUTPUTS " Dsub25-M (#4-40)

Ribbon	Hard	Signal name	Designation	Active
1	1	CUE_OUT L+	CUE OUTPUT LEFT +	audio
2	14	CUE_OUT L-	CUE OUTPUT LEFT -	audio
3	2	GND	GND	GND
4	15	CUE_OUT R+	CUE OUTPUT RIGHT +	audio
5	3	CUE_OUT R-	CUE OUTPUT RIGHT -	audio
6	16	GND	GND	GND
7	4	CUE_OUT 1+	CUE OUTPUT 1 +	audio
8	17	CUE_OUT 1-	CUE OUTPUT 1 -	audio
9	5	GND	CR MONITOR 1L 0	GND
10	18	CUE_OUT 2+	CUE OUTPUT 2 +	audio
11	6	CUE_OUT 2-	CUE OUTPUT 2 -	audio
12	19	GND	GND	GND
13	7	CUE_OUT 3+	CUE OUTPUT 3 +	audio
14	20	CUE_OUT 3-	CUE OUTPUT 3 -	audio
15	8	GND	CR MONITOR 2L 0	GND
16	21	CUE_OUT 4+	CUE OUTPUT 4 +	audio
17	9	CUE_OUT 4-	CUE OUTPUT 4 -	audio
18	22	GND	GND	GND
19	10	TB SW 1	TALKBACK SWITCH 1	Lo
20	23	TB SW 2	TALKBACK SWITCH 2	Lo
21	11	GND	TALKBACK SWITCH COMMON	0V
22	24	MIC +5V	TB MIC POWER +5VDC	+5V
23	12	MIC SIG	TB MIC SIGNAL	audio
24	25	GND	GND	GND
25	13			

**CAUTION! D-Connector for wiring refer to Hard pin number Description. Mounting screw for D-connector use #4-40 size.**

**注意！ Dサブコネクタの接続はHardピン番号で接続してください。取付ビスは#4-40インチビスです。**

TB SW 1は“TB BOX”コネクタとパラ接続されています。

TB SW 2は“EXT TB”コネクタとパラ接続されています。

# CSP410 Connector Pin List

## CSP410 "EXT TB" Dsub9-F (#4-40)

Ribbon	Hard	Signal name	Designation	Active
1	1	EXT_TB+	EXTERNAL TALKBACK INPUT + (+4dBu)	audio
2	6	EXT_TB-	EXTERNAL TALKBACK INPUT - (+4dBu)	audio
3	2	GND	GND	GND
4	7	EXT_TB_LO+	EXTERNAL TALKBACK INPUT + (-12dBu)	audio
5	3	EXT_TB_LO-	EXTERNAL TALKBACK INPUT - (-12dBu)	audio
6	8	GND	GND	GND
7	4	TB SW 2	TALKBACK SWITCH 2	Lo
8	9	GND	TALKBACK SWITCH 2 COMMON	0V
9	5			

**CAUTION! D-Connector for wiring refer to Hard pin number Description. Mounting screw for D-connector use #4-40 size.**

**注意！ Dサブコネクタの接続はHardピン番号で接続してください。取付ビスは#4-40インチビスです。**

## CSP410 "TALKBACK BOX" Dsub15-F (#4-40)

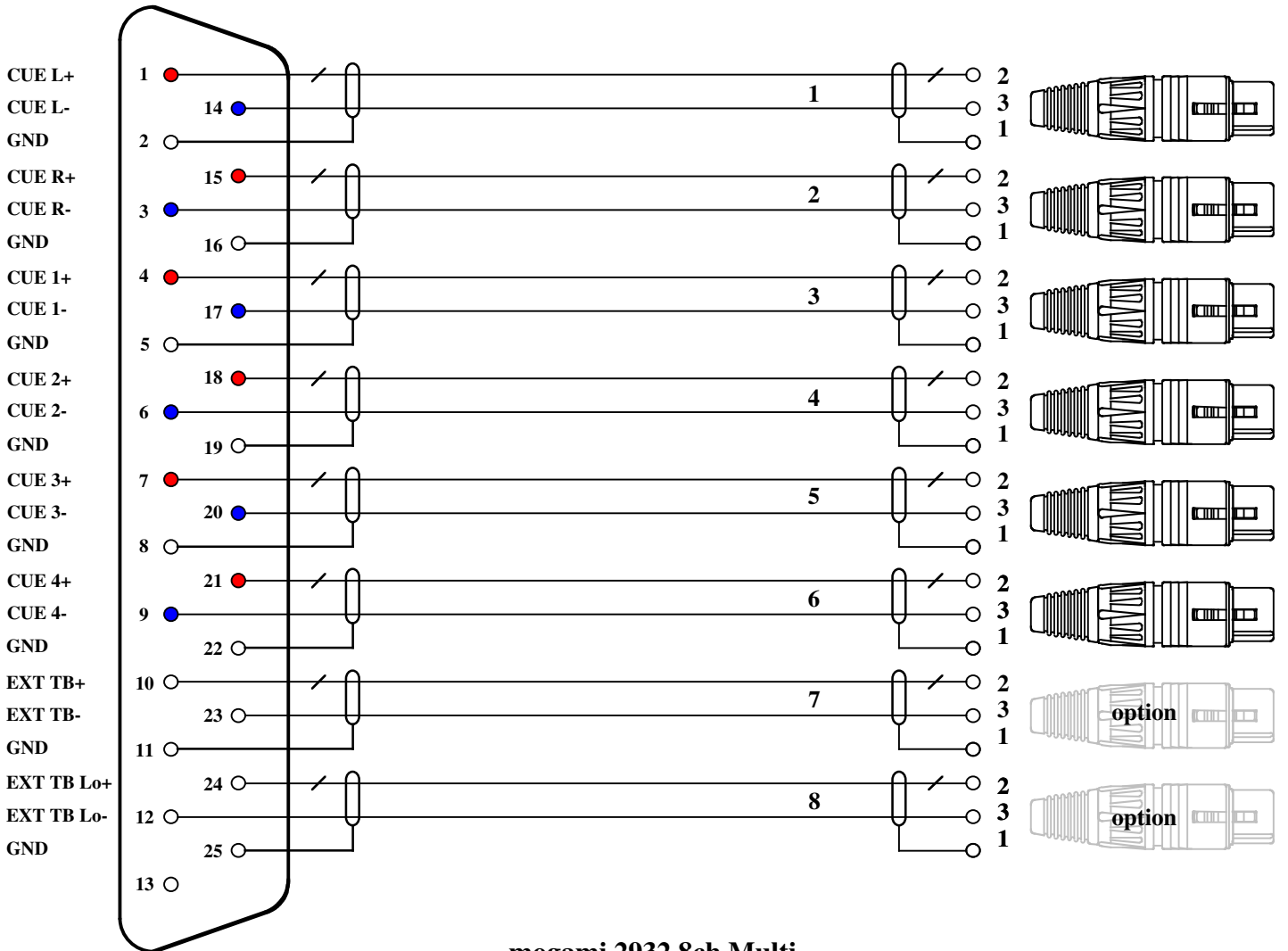
Ribbon	Hard	Signal name	Designation	Active
1	1			
2	9			
3	2	LP COM	LAMPS COMMON +15V	+15V
4	10	SW COM	SWITCHES COMMON 0V	0V
5	3	TB SW 1	TB SWITCH 1	Lo
6	11			
7	4	CUE SW	CUE SWITCH	Lo
8	12			
9	5			
10	13			
11	6			
12	14			
13	7	MIC +5V	+5V MIC POWER	+5V
14	15	MIC SIG	TALKBACK MIC SIGNAL	audio
15	8	MIC GND	MIC GND	0V

このポートはTB BOX "TB961"と互換性があります。

**CAUTION! D-Connector for wiring refer to Hard pin number Description. Mounting screw for D-connector use #4-40 size.**

**注意！ Dサブコネクタの接続はHardピン番号で接続してください。取付ビスは#4-40インチビスです。**

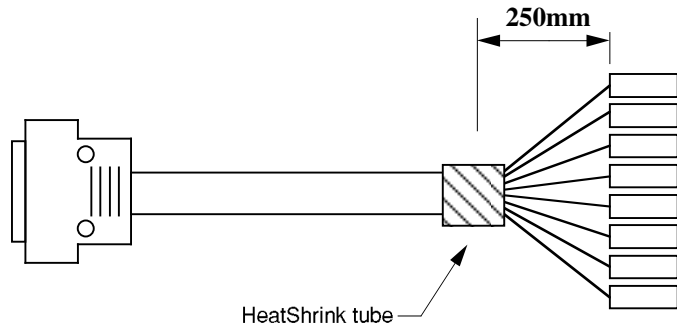
D25-M (#4-40)



mogami 2932 8ch Multi

Dsub25-M/F (#4-40)

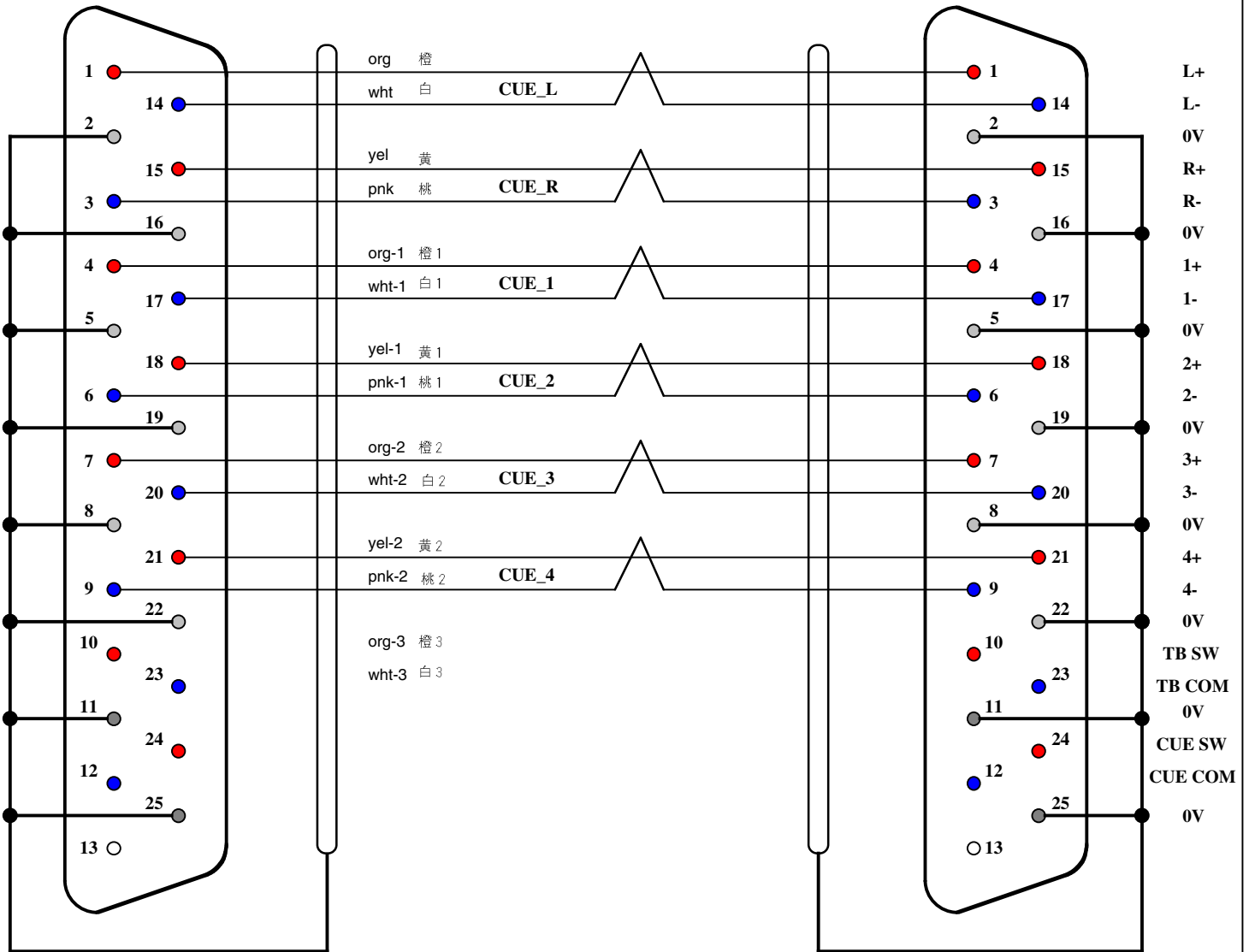
01 CUE L+	14 CUE L-
02 CUE L G	15 CUE R+
03 CUE R-	16 CUE R G
04 CUE 1+	17 CUE 1-
05 CUE 1G	18 CUE 2+
06 CUE 2-	19 CUE 2G
07 CUE 3+	20 CUE 3-
08 CUE 3G	21 CUE 4+
09 CUE 4-	22 CUE 4G
10 EXT TB+	23 EXT TB-
11 GND	24 EXT TB Lo+
12 EXT TB Lo-	25 GND
13	



(c)CURRENT,INC.	CSP410-W01	Jul.2021
H.ICHIHASHI	AUDIO INPUT CABLE	CSP410-W01

D25-F (#4-40)

D25-M (#4-40)

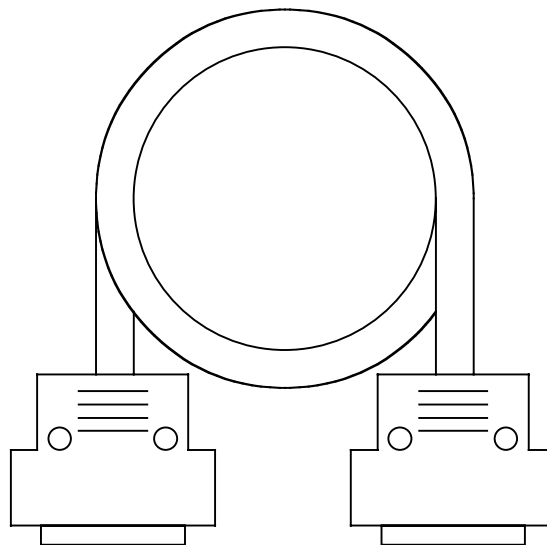


mogami 2841 7-pair

0V linked each by PCB

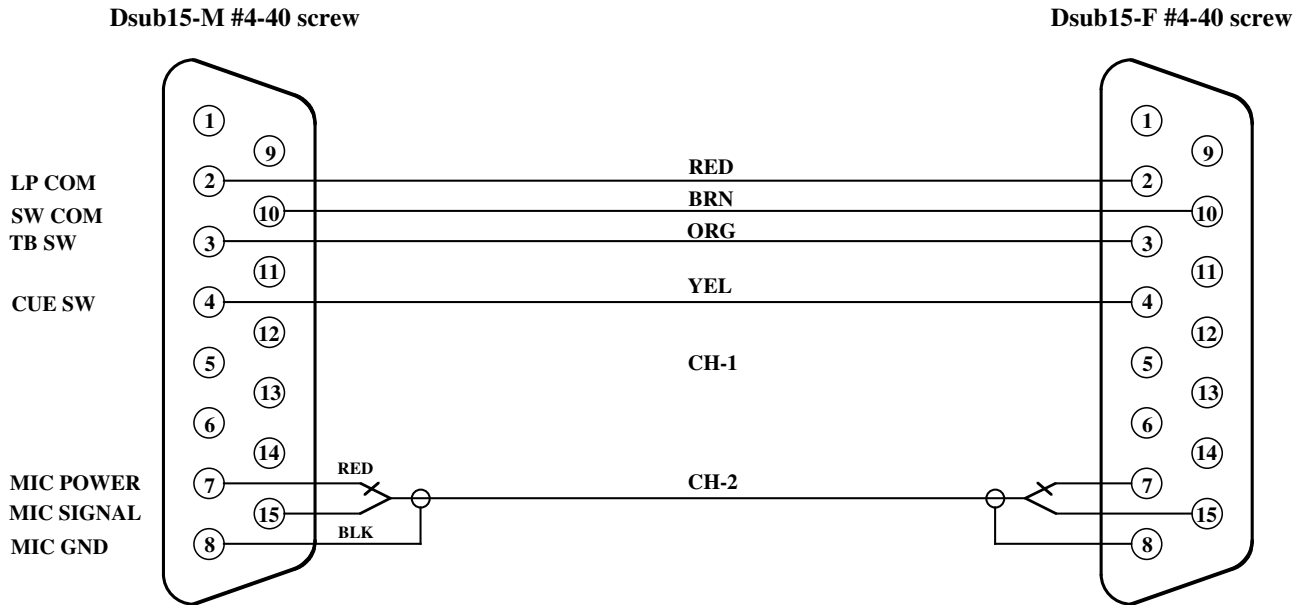
Dsub25-M/F (#4-40)

- |               |              |
|---------------|--------------|
| 01 CUE L+     | 14 CUE L-    |
| 02 CUE L G    | 15 CUE R+    |
| 03 CUE R-     | 16 CUE R G   |
| 04 CUE 1+     | 17 CUE 1-    |
| 05 CUE 1G     | 18 CUE 2+    |
| 06 CUE 2-     | 19 CUE 2G    |
| 07 CUE 3+     | 20 CUE 3-    |
| 08 CUE 3G     | 21 CUE 4+    |
| 09 CUE 4-     | 22 CUE 4G    |
| 10 TB SW      | 23 TB SW COM |
| 11 0V         | 24 CUE SW    |
| 12 CUE SW COM | 25 0V        |
| 13            |              |



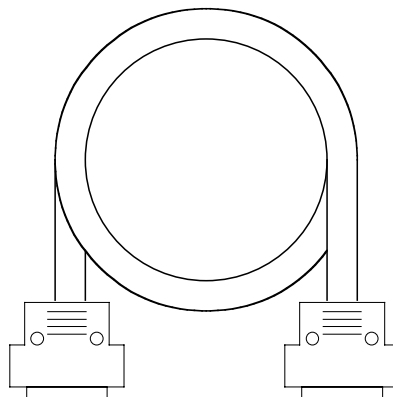
(c)CURRENT,INC.	CSP410	Jul.2021
H.ICHIHASHI	CSP410-W02 output cable	CSP410-W02

# TB961 CABLE



CABLE : MOGAMI 2997  
5m

<u>TB BOX D15-F/M (#4-40)</u>	
01	09
02 +15V	10 0V
03 TB SW	11
04 CUE SW	12
05	13
06	14
07 MIC +5V	15 MIC SIG
08 MIC GND	



(c)CURRENT,INC.	TB961W	Nov.2011
H.ICHIHASHI	TB BOX CABLE	CSP410-TB961W