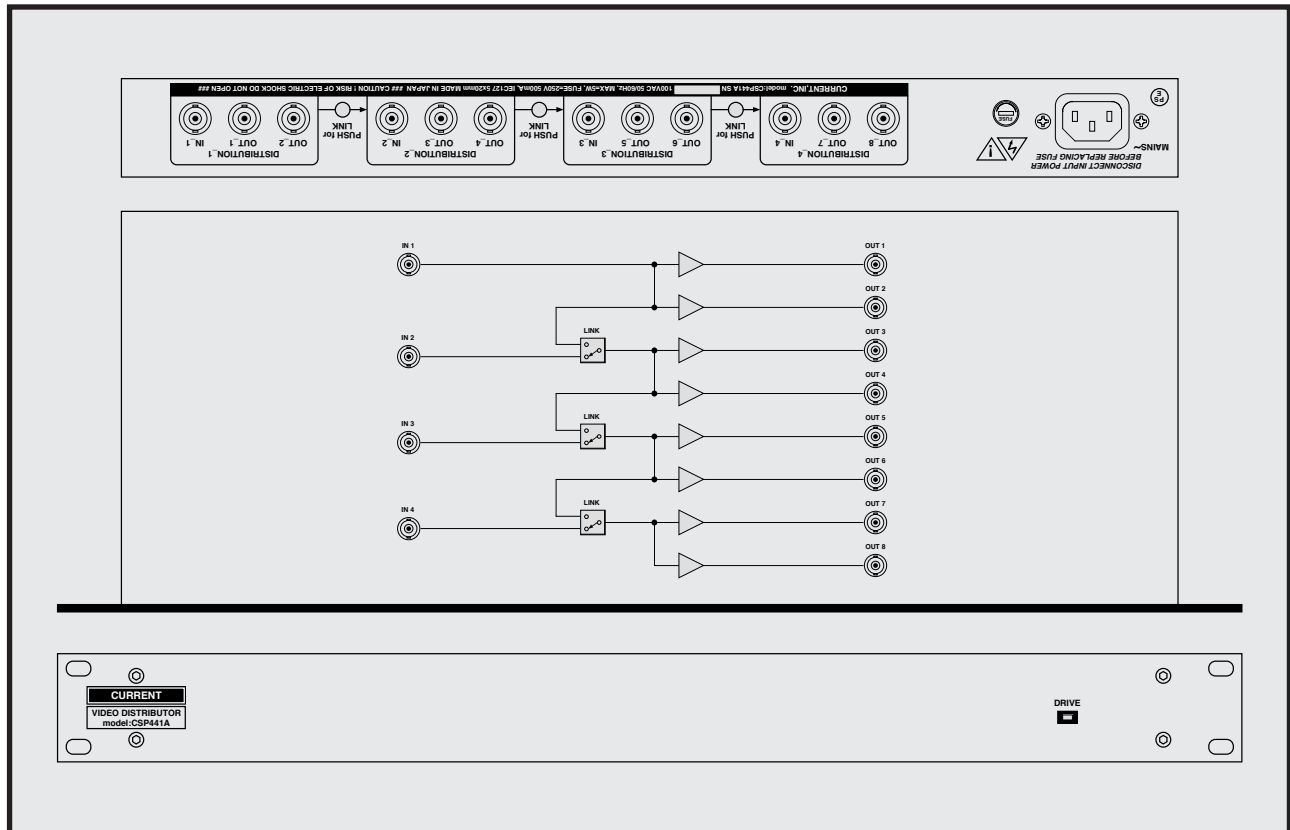


CURRENT PRODUCTS model:CSP441A

VIDEO DISTRIBUTOR



Four 1:2 video distribution
 Or two 1:4 distribution
 Or 1:6+1:2 distribution
 Or 1:8 distribution
 Most suitable for VGA monitor distribution
 19 inches 1U size

The CSP441A provides in 4 video distribution circuits of 1:2. Mode switching of 1:2x4, 1:4x2, 1:6+1:2 and the 1:8 is a possible video distributor when it links each. Each output is that it is driven with an independent amplifier, and distribution of high quality is possible.

"Mode switch"

It can easily set a distribution format by the setting of the link switch of the rear panel. It is four 2 distribution in the normal condition. It can choose one of two 4 distribution, 6 distribution +2 distribution and 8 distribution by a switch combination.

"Others"

When it uses it in SSL9000J, it is necessary to change internal resistance because sync is a TTL level. In addition, please refer about the distribution format of the non-standard. CSP441 of the distribution configuration of 1:4x2 or the 1:8 also available.

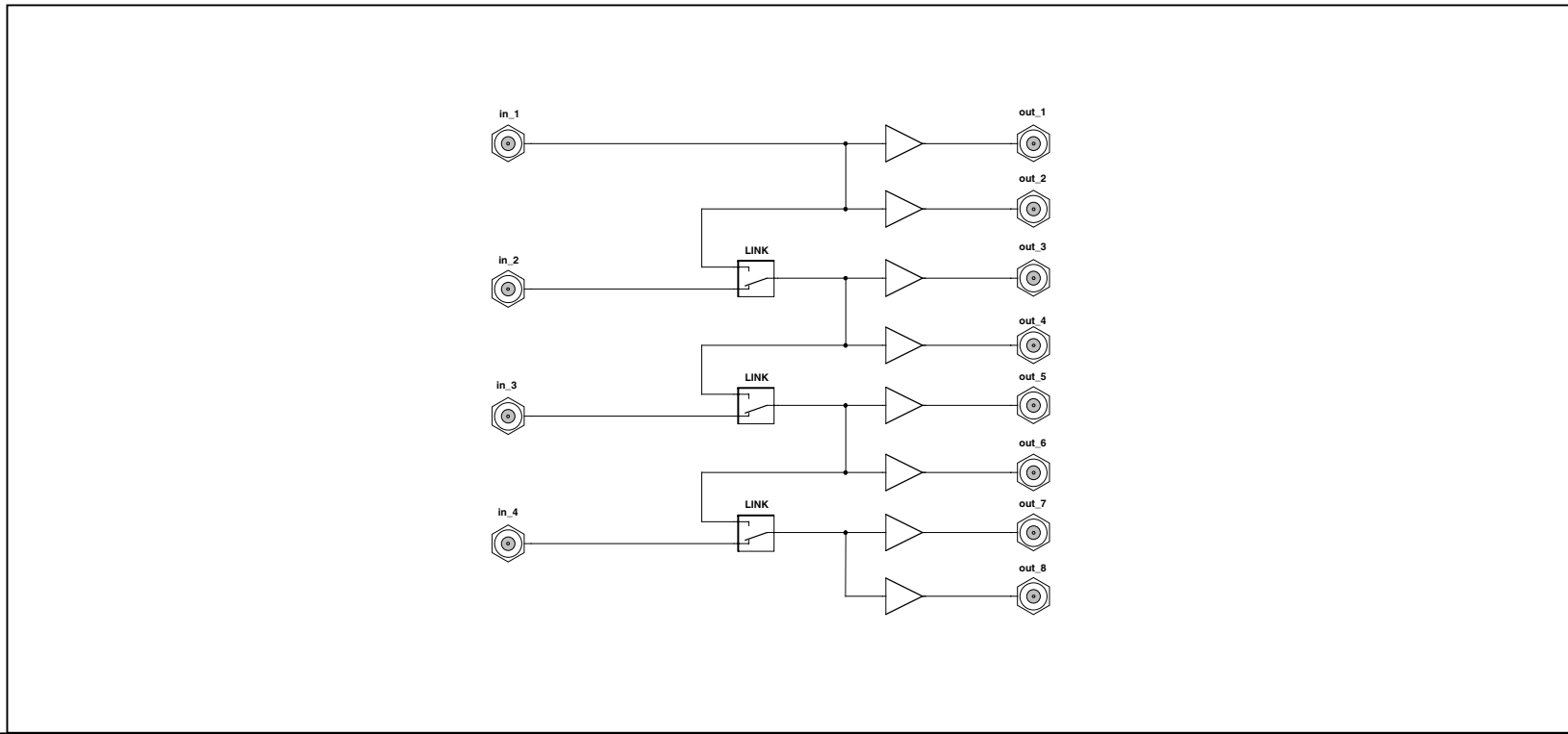
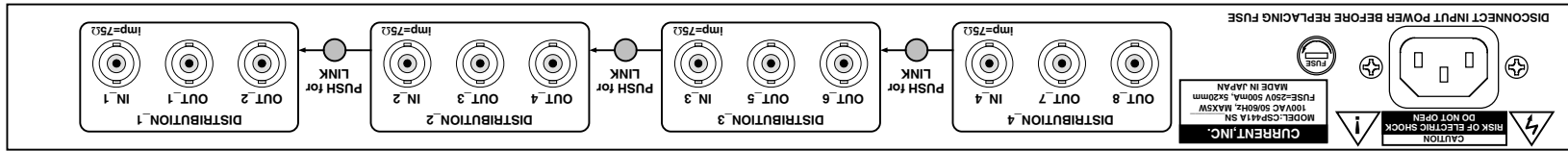
SPECIFICATIONS

- 🍏 INPUTS IMPEDANCE: 75Ω 1Vp-p
- 🍏 INPUTS CONNECTOR: BNC
- 🍏 OUTPUTS IMPEDANCE: 75Ω 1Vp-p
- 🍏 OUTPUTS CONNECTOR: BNC
- 🍏 FREQUENCY BANDWIDTH: 7MHz
- 🍏 MODE: 1:2 x4, 1:4x2, 1:6+1:2, 1:8 SELECTABLE
- 🍏 MAINS: 100VAC 50/60Hz MAX=5W
- 🍏 DIMENSIONS: 482Wx44Hx303D 4Kg

Video Distributor	CSP441A	¥198,000
accessory : AC cable		

The specifications are subject to change without notice.
 2-26-11 AKATSUTSUMI, SETAGAYA-KU, TOKYO, 156-0044 JAPAN

MONITOR SYSTEM
 HEADPHONES AMP
 CUE SYSTEM
 COMMUNICATION
 TB, COUGH SYSTEM
 MATRIX AMP
 AUDIO ROUTER
 AUDIO VIDEO
 SWITCHER
 SYSTEM SWITCHER
 EMERGENCY
 AUDIO VIDEO
 DISTRIBUTOR
 METER SYSTEM
 ANALOG, DIGITAL
 PREAMP MIXER
 LEVEL UNIT
 DIGITAL AUDIO
 FADER UNIT
 AUTO FADER
 TALLY FADER
 CLOCK, TIMER
 EVENT SYSTEM
 SPECIAL PRODUCTS
 ETC.



302.6



44

482

(c)CURRENT,INC.	CSP441A VIDEO DISTRIBUTION AMP	DEC 99
H.ICHIHASHI	PANEL DIAGRAM	CSP441A-D